

C-2060

## Fulflo® 336 Pleated Cartridge

**Pleated cartridge construction improves filtration efficiency, dirt holding capacity and flow rates**

Parker's Fulflo® Pleated 336 size filter cartridges provide highly efficient removal of solid contaminants from a variety of petrochemical, refinery and oilfield applications. Cartridges are manufactured from premium grade phenolic impregnated cellulose and polypropylene blown media. These structures provide superior removal efficiency. The cartridges are available in 3 $\mu$ , 10 $\mu$ , 12 $\mu$ , 22 $\mu$ , and 100 $\mu$  pore sizes. (99.98% removal;  $\beta = 5000$ )



### Benefits

- Retrofits housings that use 3" OD x 36" long SOE cartridges with spring
- High surface area
- Low pressure drop
- Materials compatible with most applications
- High filtration efficiency
- High dirt-holding capacity
- Rugged construction

### Applications

- Petrochemical
- Refineries
- Oil Fields
- Produced Water
- Amines
- Glycols



ENGINEERING YOUR SUCCESS.

# Fulflo<sup>®</sup> 336 Pleated Cartridges

## Specifications

### Materials of Construction:

- Cellulose: Phenolic impregnated cellulose media
- Polypropylene support core and end caps (Steel core optional)
- Buna-N gasket 316 st. stl. spring
- Polypropylene: Filter media and support layers – Polypropylene
- Polypropylene support core and end caps (steel core optional)
- Buna-N gasket 316 st. stl. spring

Length	Length Factor
336	4

Cartridge	Flow Factor
PPC005	0.090
PCG020	0.026
PCC2	0.017
PCC10	0.002
PCC30	0.001
PCC60	0.005

Cartridge	$\beta=5000$ Absolute	$\beta=1000$ 99.7%	$\beta=100$ 99%	$\beta=50$ 98%	$\beta@2$ micron
PPC005	3	2.8	0.5	<0.5	400
PCG020	10	8.6	1.8	0.9	110
PCC2	12	10	3.2	1.7	64
PCC10	22	18	6	3.2	35
PCC30	100	85	11	4.5	25
PCC60	150	90	30	15.0	10

### Recommended Operating Conditions:

Maximum 33 GPM per cartridge

#### Polypropylene Support:

Maximum Temperature @ 10 PSID (0.7 km/cm<sup>2</sup>): 200°F (93°C)

Maximum Temperature @ 35 PSID (2.5 km/cm<sup>2</sup>): 125°F (52°C)

Maximum Temperature @ 60 PSID (4.2 km/cm<sup>2</sup>): 75°F (24°C)

Optimum Change Out at ambient temp.: 35 PSID (25 km/cm<sup>2</sup>)

#### Steel Support:

Maximum Temperature: 250°F (121°C)

Maximum  $\Delta P$ : 50 PSID (3.5 km/cm<sup>2</sup>)

Optimum change Out  $\Delta P$ : 35 PSID (2.5 km/cm<sup>2</sup>)

### Dimensions:

Length: 34-3/4 in (883 mm) w/o spring:  
37-1/8 in (943 mm) with spring

OD: 3 in (76 mm)

ID: 1-9/16 in (40 mm)

### Flow Rate and Pressure Drop Formulas

$$\text{Flow Rate (gpm)} = \frac{\text{Clean } \Delta P \times \text{Length Factor}}{\text{Viscosity} \times \text{Flow Factor}}$$

$$\text{Clean DP} = \frac{\text{Flow Rate} \times \text{Viscosity} \times \text{Flow Factor}}{\text{Length Factor}}$$

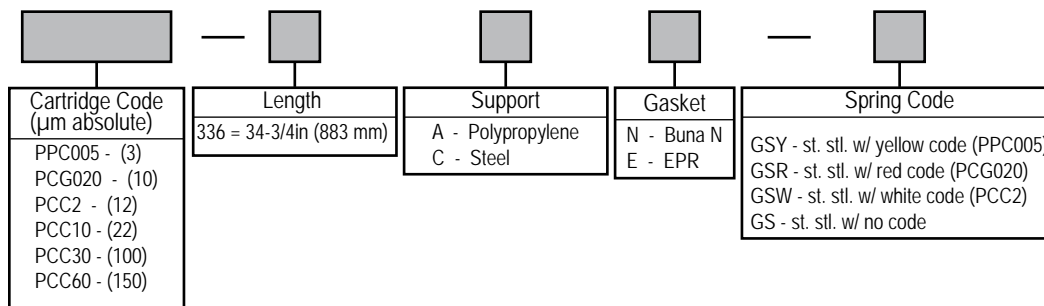
- Clean  $\Delta P$  is PSI differential at start.
- Viscosity is centistokes. Use Conversion Tables for other units.
- Flow Factor is  $\Delta P/\text{GPM}$  at 1 cks for 10 in (or single).
- Length Factors convert flow or  $\Delta P$  from 10 in (single length) to required cartridge length.

### Beta Ratio ( $\beta$ ) =

$$\frac{\text{Upstream Particle Count @ Specified Particle Size and Larger}}{\text{Downstream Particle Count @ Specified Particle Size and Larger}}$$

$$\text{Percent Removal Efficiency} = \left( \frac{\beta - 1}{\beta} \right) 100$$

## Ordering Information



Specifications are subject to change without notification.

\*Viton is a registered trademark of E.I. DuPont de Nemours & Co., Inc.

© 2007 Parker Hannifin  
Process Advanced Filtration Inc.  
All Rights Reserved  
SPEC-C2060-Rev. A 01/08



ENGINEERING YOUR SUCCESS.