

BSF Fabricated Basket Strainer

The 3L Filters™ BSF Series fabricated basket strainers remove gross particles from a liquid stream. The BSF is often used as a pre-filter placed before finishing filtration equipment. A removable stainless steel basket allows easy cleaning and quick change out when heavy particle loading is present.

Applications

The BSF is ideal for removing large amounts of solid matter from liquids such as water, coolants, resins, adhesives, solvents, paints and inks.

Standard Features

- designed to ASME Section VIII Div.1 & 2
- 150 psig standard design pressure
- -20°F to 200°F (-29°C to 93°C) standard design temperature
- 150 lb ANSI RF flanged inlet/outlet, offset or inline configuration
- 3000 lb NPT couplings for vent, drain, and pressure gauge connections
- carbon steel housing material
- perforated stainless steel (SS304 or SS316) basket construction
- 3L Pogo (spring-assisted) headlift on housing diameters over 8" to 18" (203 mm to 457 mm); hydraulic Jack headlift on housing diameters over 18" (457 mm)
- quick access for replacement of basket
- standard Swing Bolt or Thru-Bolt closures
- O-ring closure seal
- external primer finish for carbon steel housing

Options & Accessories

- custom design pressures to 3000 psig
- custom flange rating
- custom housing materials
- optional headlifts: handwheel or 3L Cantilever
- optional closures: Thru-Bolt or patented Easy Access Closure
- O-ring closure seal in Buna, Viton®, Teflon®, Silicone or EPDM
- strainer baskets available in a range of materials and mesh sizes
- internal epoxy coating on carbon steel models
- electropolishing of stainless steel housings
- passivation of stainless steel housings
- paint or coating to customer specification
- additional nozzles as needed
- valves
- safety relief valves
- pressure gauges
- duplex or multiplex arrangement
- working platform
- rubber, PVC, PVDF and other internal linings



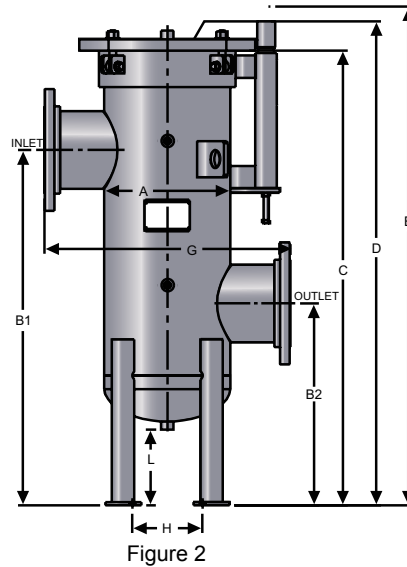
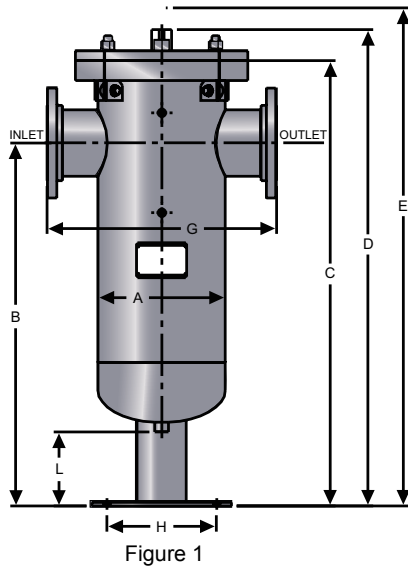
BSF

Fabricated Basket Strainer

Fig.	Model No.	A Vessel OD in (mm)	B1 in (mm)	B2 in (mm)	C in (mm)	D in (mm)	E in (mm)	G in (mm)	H in (mm)	L in (mm)	Inlet/ Outlet (RF)	Vent Safety Drains (NPT)	Press. Gauge (NPT)	GPM (US)	Weight lbs (kg)
1	BSFV51B0150C03	6.625 (168)	21.5 (546)	21.5 (546)	32.0 (813)	34.0 (864)	47.0 (1194)	19 (483)	8.0 (203)	8 (203)	3"	3/4"	1/2"	210	120 (54.4)
1	BSFV51B0150C04	8.625 (219)	25.0 (635)	25.0 (635)	37.0 (940)	39.0 (991)	55.0 (1397)	21 (533)	9.0 (229)	8 (203)	4"	3/4"	1/2"	410	190 (86.2)
1	BSFV51B0150C06	12.750 (323)	33.0 (838)	33.0 (838)	48.0 (1219)	50.0 (1270)	70.0 (1778)	25 (635)	13.0 (330)	10 (254)	6"	3/4"	1/2"	760	320 (145.2)
2	BSFV53C0150C08	14.000 (355)	40.0 (1016)	24.0 (610)	52.0 (1321)	56.0 (1422)	82.0 (2083)	26 (660)	7.5 (191)	10 (254)	8"	3/4"	1/2"	1000	430 (195.0)
2	BSFV53C0150C010	16.000 (406)	47.5 (1207)	27.5 (699)	60.5 (1537)	64.5 (1638)	97.5 (2477)	28 (711)	9.0 (229)	10 (254)	10"	3/4"	1/2"	1490	580 (263.1)
2	BSFV53C0150C012	18.000 (457)	57.0 (1448)	33.0 (838)	71.0 (1803)	75.0 (1905)	117.0 (2972)	30 (762)	10.0 (254)	10 (254)	12"	3/4"	1/2"	2640	750 (340.2)
2	BSFV53C0150C014	20.000 (508)	64.5 (1638)	36.5 (927)	79.5 (2019)	83.5 (2121)	130.5 (3315)	32 (813)	11.0 (279)	12 (305)	14"	3/4"	1/2"	3340	900 (408.2)
2	BSFV53C0150C016	24.000 (609)	72.5 (1842)	40.5 (1029)	88.5 (2248)	92.5 (2350)	146.5 (3721)	36 (914)	15.0 (381)	12 (305)	16"	3/4"	1/2"	4310	1140 (517.1)

Note:

Dimension 'E' is the minimum clearance required for basket removal.
 Flow rates are based on water. More viscous liquids will have lower flow rates.
 Drawings for reference only. Certified drawings will be supplied after receipt of order.



Model Coding

BSF BASKET STRAINER	V VESSEL CONFIGURATION H - HORIZONTAL V - VERTICAL D - DUPLEX	53B STAINER SERIES 51A - INLINE NO LEGS 51B - INLINE WITH LEGS 51C - INLINE WITH LEGS AND HEADLIFT 53A - OFFLINE NO LEGS 53B - OFFLINE WITH LEGS 53C - OFFLINE WITH LEGS AND HEADLIFT	0150 NOZZLE ANSI FLANGE RATING 0150 - 150 lb 0300 - 300 lb 0600 - 600 lb 0900 - 900 lb 1500 - 1500 lb	E MATERIAL C - CARBON STEEL E - SS304 S - SS316 X - SPECIAL	04 NOZZLE SIZE 5 - 1/2" 34 - 3/4" 01 - 1" 15 - 1 1/2" 02 - 2" 25 - 2 1/2" 03 - 3" 04 - 4" 06 - 6" 08 - 8" 10 - 10"
-------------------------------	--	---	--	---	--

CS Cone Strainer

The 3L Filters™ CS Series cone strainers are used to protect fluid and gas handling equipment by removing debris during the start-up of a system. These can easily be installed or placed between pipeline flanges without modifying the surrounding pipe work and are easily removed.

Standard Features

- available in 316 stainless steel or carbon steel; media available in a selection of four perforated and five mesh styles
- flanged ID (inside diameter) is pressed and welded to prevent possible failures and cone ending up down stream
- phonographic finish
- easy reference part numbers located on the handle
- custom build available upon request



Type CS Model Coding

CS	-	C	06	-	300	-	40	I	W	80	
MATERIAL C - CARBON STEEL S - 316 STAINLESS		PIPE SIZE (in) (If pipe is less than 10" proceed number with 0) 1.5 2 2.5 3 4 5 6 8 10 12 14 16 20 24 18 30 32 28			FLANGE (lbs) 150 300 400 600 900 1500		MESH (microns) -- 20 40 60 80 100		OPEN AREA W - 100% X - 150% Y - 200%		PIPE SCHEDULE 40 80 160 XXS
PRODUCT CODE CS - CONE STRAINER											
MESH REPLACEMENT											
		Wire mesh on outside supported		No # - Standard							
		Wire mesh on inside supported		I - Cloth Standard							
		Wire mesh on outside supports inside		R - Reinforced							
Note: Reinforced cones available upon request.											

CS