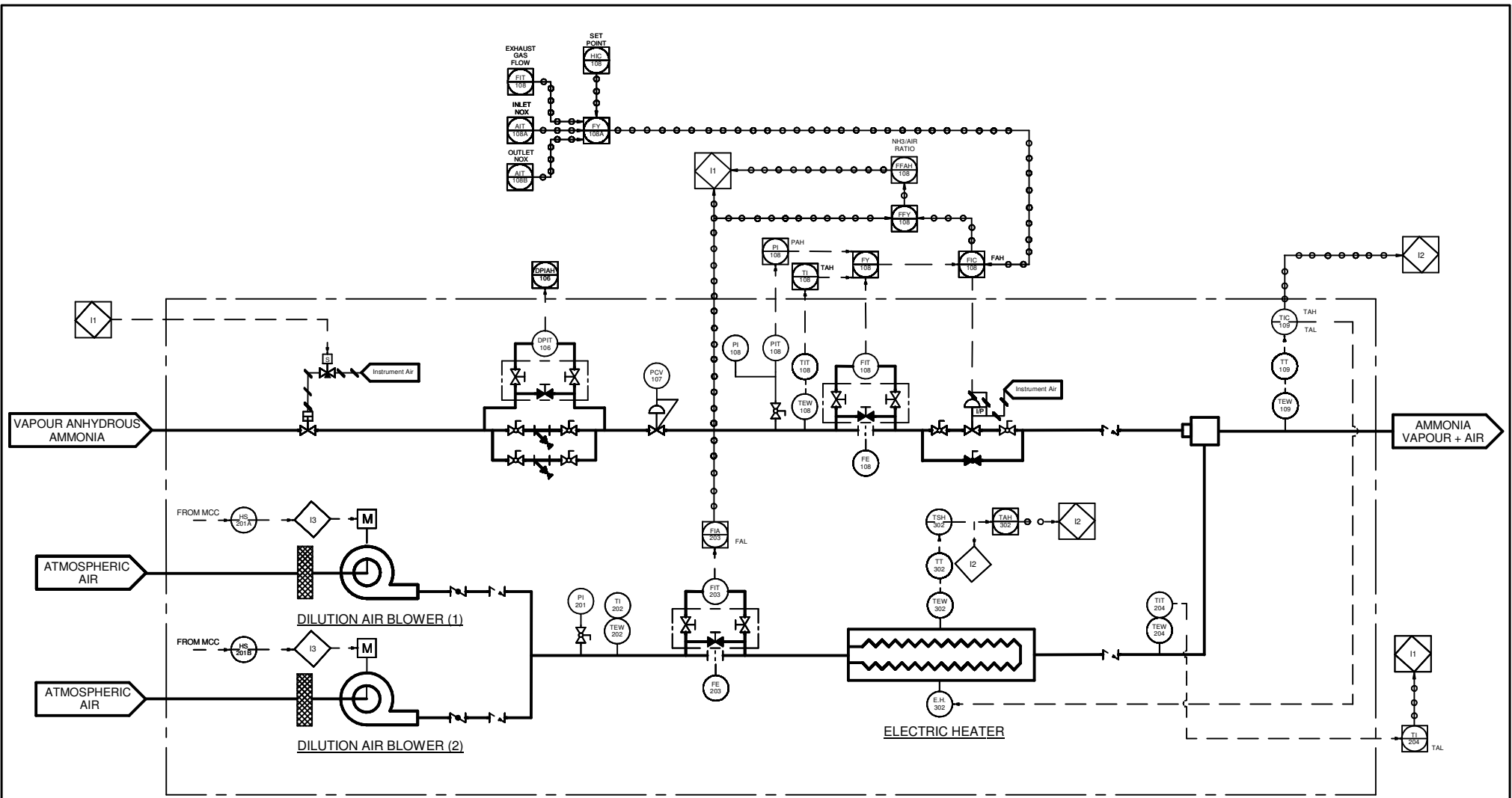



TITLE		AMMONIA FLOW CONTROL UNIT (AQUEOUS) PIPING & INSTRUMENTATION DIAGRAM	
NO.		D18194	
REF.		SHEET 1	
REV.		0	
REF.	REF.	TOLERANCE UNLESS NOTED OTHERWISE	
S.O.	SO	± ANGULAR	± DECIM.
SCALE:	NTS	± FRACT.	± METRIC
ECHELLE			
DRAWN BY:	MM	16 DEC 2011	
CHECKED BY:	BM	16 DEC 2011	
APPROVED BY:	BM	16 DEC 2011	
DST.			

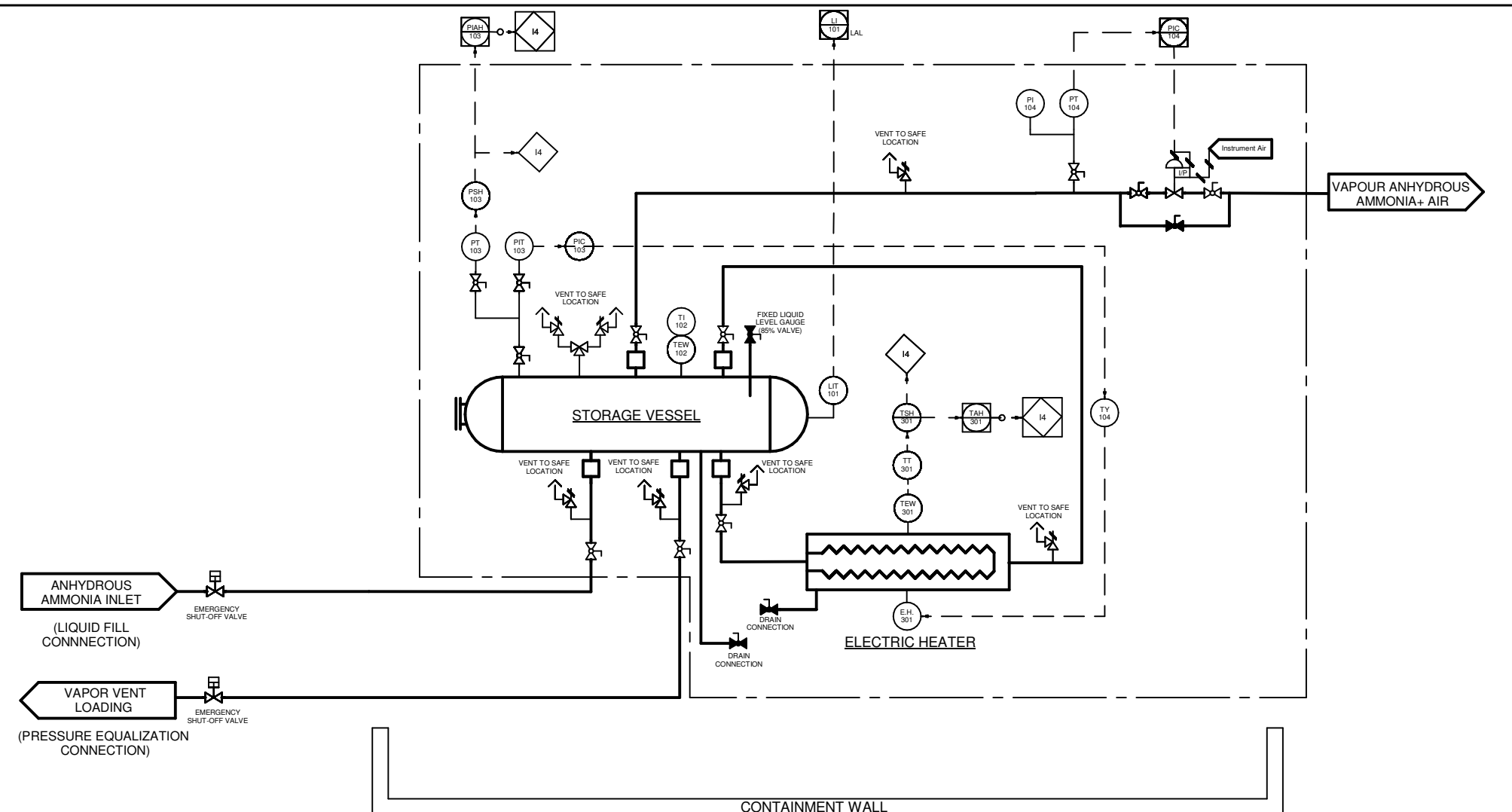
**PROPRIETARY NOTICE**  
 THE DESIGN AND TECHNICAL INFORMATION APPEARING ON THIS DRAWING IS THE PROPERTY OF CCI THERMAL AND IS DISCLOSED IN CONFIDENCE. IT IS NOT TO BE COPIED, REPRODUCED, REVEALED TO OR APPROPRIATED BY OTHERS, EITHER IN WHOLE OR IN PART, WITHOUT PRIOR EXPRESS WRITTEN CONSENT OF CCI THERMAL TECHNOLOGIES INC.





TITLE:		AMMONIA FLOW CONTROL UNIT (ANHYDROUS) PIPING & INSTRUMENTATION DIAGRAM			
NO:		D18195		SHEET 1	
REF:		REF.		REV.	
S.O. SO		TOLERANCE UNLESS NOTED OTHERWISE			
SCALE: NTS		± ANGULAR		± DECIM.	
ECHELLE:		± FRACT.		± METRIC	
DRAWN BY: MM		16 DEC 2011		 <b>CCI Thermal</b> Technologies INC. Heating and Filtration Solutions	
CHECKED BY: BM		16 DEC 2011			
APPROVED BY: BM		16 DEC 2011			
DST:					

**PROPRIETARY NOTICE**  
 THE DESIGN AND TECHNICAL INFORMATION APPEARING ON THIS DRAWING IS THE PROPERTY OF CCI THERMAL AND IS DISCLOSED IN CONFIDENCE. IT IS NOT TO BE COPIED, REPRODUCED, REVEALED TO OR APPROPRIATED BY OTHERS, EITHER IN WHOLE OR IN PART, WITHOUT PRIOR EXPRESS WRITTEN CONSENT OF CCI THERMAL TECHNOLOGIES INC.



TITLE: AMMONIA STORAGE/VAPORIZER UNIT (ANHYDROUS) PIPING & INSTRUMENTATION DIAGRAM			
NO: D18195			0
			REV. SHEET 2
REF:	REF:	TOLERANCE UNLESS NOTED OTHERWISE	
S.O:	SO	± ANGULAR	± DECIM. ± FRACT. ± METRIC
SCALE:	NTS		
ECHELLE:			
DRAWN BY:	MM	16 DEC 2011	
CHECKED BY:	BM	16 DEC 2011	
APPROVED BY:	BM	16 DEC 2011	
DIST:			



**PROPRIETARY NOTICE**  
 THE DESIGN AND TECHNICAL INFORMATION APPEARING ON THIS DRAWING IS THE PROPERTY OF CCI THERMAL AND IS DISCLOSED IN CONFIDENCE. IT IS NOT TO BE COPIED, REPRODUCED, REVEALED TO OR APPROPRIATED BY OTHERS, EITHER IN WHOLE OR IN PART, WITHOUT PRIOR EXPRESS WRITTEN CONSENT OF CCI THERMAL TECHNOLOGIES INC.