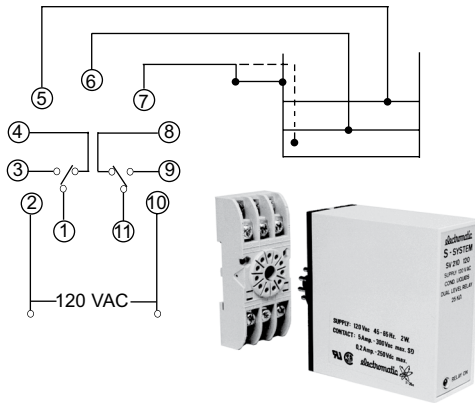


## Level Control (For Conductive Liquids)

The SV series electronic liquid level control senses the resistance between remote mounted level probe electrodes (see type EH below). By altering the lengths of the electrodes, various combinations of high and low limit, heater ON-OFF and pump ON-OFF can occur as liquid levels change in the vessel.

When liquid is present, the SV220 de-energizes and the SV210 energizes. Otherwise both controls are the same.



**NOTE:**

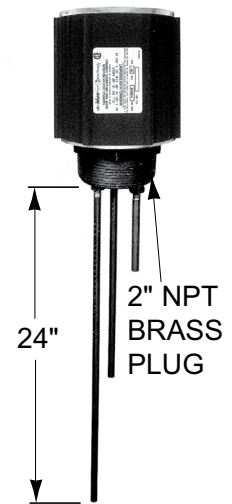
If the container is non conductive a third (lowest position) electrode must be installed as shown.

### Level Control

Sensor Current	<25 kΩs Relay	Relay Rating	Catalog Number
2.5 mA	De-energizes	8 Amp 120VAC	SV220-115
2.5 mA	Energizes	DPDT	SV210-115

## Level Probe

The EH probe assembly can be used with the SV series electronic level controls. The assembly consists of a 2" NPT brass screw plug, weather resistant terminal enclosure and 1, 2 or 3 brass rods mechanically held and electrically isolated in porcelain holders. The rods can be field cut from the 24" (610 mm) supplied lengths to corresponding liquid levels required for control.



3 ROD MODEL SHOWN

### Level Control

Number of Sensing Rods	Rod Length(s)	Mounting	Catalog Number
1	24" - 610 mm	2" NPT Brass Screwplug	EH10863-13
2	(Field cut to desired length)		EH10863-14
3			EH10863-15

## To Order Specify

Quantity, catalog number.

## Level Probes