

Forced Air Heaters Regular Duty - GE

Application

Caloritech™ GE fan-forced heater is designed for use in regular duty industrial and commercial space heating applications. This heater features a robust design which surpasses the standards of most competitive models.

If the environment is particularly demanding, the Caloritech™ GX heater is recommended (see Forced Air Heaters Heavy Duty - GX, page C29)

Also available are specially equipped 5 kW barn heaters which have been approved by Manitoba Hydro for use in buildings housing livestock.

Designed for Application in Non-Hazardous Environments

- Factories
- Warehouses
- Parking garages
- Boiler rooms
- Arenas
- Grandstands
- Mechanical rooms
- Shopping malls, display areas, stores



Features

- 2 kW to 40 kW output
- 208V to 600V, 1 or 3 phase
- Field convertible from 1 to 3 phase
- Tubular heating elements
- Adjustable air flow louvers
- Permanently lubricated motors
- Overheat protection
- 18-gauge steel cabinet
- Epoxy painted (ASA61 Grey)
- Optional thermostats and controls
- Optional wall bracket
- Motors mounted outside element bundle
- Ceiling mounting bracket supplied

Motors

- 2 to 10 kW heaters are standard with dual rated motors; 208/240V single phase. Where necessary, transformers are used to provide proper motor voltage.
- 15 to 40 kW heaters are standard with single phase full voltage rated motors.
- Standard motors have permanently lubricated bearings and built-in thermal overloads.
- Totally enclosed ball bearing motors are standard.
- Motor RPM - 1550 unless otherwise stated.
- Motor HP
 - 2 to 10 kW: 1/20 HP
 - 15 to 40 kW: 1/10 HP
 - Other ratings available, check factory.

Contactors and Transformers

- Factory installed contactors are available when required.
- Transformers are standard when primary voltage is not suitable for motor operation or contactor coil ratings.
- Standard control voltage is 240V.

Mounting Brackets

WB210 - Wall Mounting Bracket for 2 to 10 kW heaters

WB1540 - Wall Mounting Bracket for 15 to 40 kW heaters

Table 20 – Dimensions

Heater Rating	'A'		'B'		'C' Depth		'D' Hole Dia.		'S'		'T'		'U'	
	in	mm	in	mm	in	mm	in	mm	in	mm	in	mm	in	mm
2 to 10	17.000	432	14.000	356	15.500	394	0.500	13	12.500	318	4.500	114	4.500	114
15 to 40	24.000	610	19.500	495	22.000	559	0.62	16	17.500	445	6.000	152	6.000	152

Table 21 – Height & Weight

kW	Normal Mounting Height		Shipping Weight	
	ft	m	lbs	kg
2 to 10	6 to 8	1.8 to 2.4	59	24
15 to 40	8 to 12	2.4 to 3.0	104	47

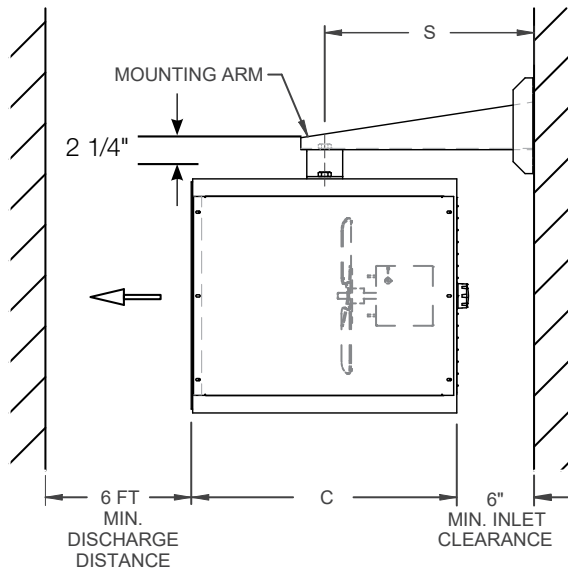


Figure 32 – Wall mount with clearances

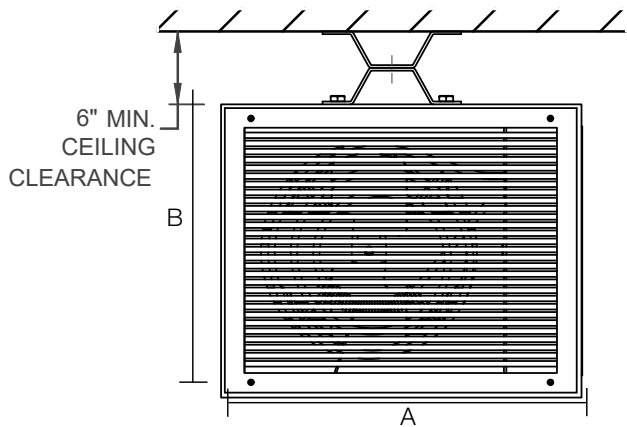


Figure 33 – Ceiling mount with clearances

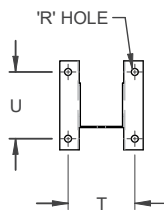


Figure 34 – Wall mount bracket hose pattern

Table 22 – Specifications

kW	Btu/hr	Voltage	Phase	CFM	m³/min	Temperature Rise		Motor Volts	Catalog No.			
						°F	°C		Basic Unit	Basic Unit with:		
										Contactor	Thermostat (1 phase only)	Contactor & Thermostat
2	6824	208	1 or 3	460	13	14	8	208/240	GE022	GE022C	GE022T	GE022CT
		240	1						GE023	GE023C	GE023T	GE023CT
3	10236	208	1 or 3	465	13	21	12		GE032	GE032C	GE032T	GE032CT
		240	1						GE033	GE033C	GE033T	GE033CT
		600	1 or 3						GE038	GE038C	GE038T	GE038CT
4	13648	208	1 or 3	475	14	28	16		GE042	GE042C	GE042T	GE042CT
		240	1						GE043	GE043C	GE043T	GE043CT
		480	1 or 3						GE047	GE047C	GE047T	GE047CT
		600	1 or 3						GE048	GE048C	GE048T	GE048CT
5	17060	208	1 or 3	480	14	40	22		GE052	GE052C	GE052T	GE052CT
		240	1						GE053	GE053C	GE053T	GE053CT
		480	1 or 3						GE057	GE057C	GE057T	GE057CT
		600	1 or 3						GE058	GE058C	GE058T	GE058CT
5	17060	208	1	550	16	35	20		-	-	GE052T/GX*	-
		240	1						-	-	GE053T/GX*	-
7.5	25590	208	1 or 3	590	17	43	24		GE072	GE072C	-	GE072CT
		240							GE073	GE073C	-	GE073CT
		480							GE077	GE077C	-	GE077CT
		600							GE078	GE078C	-	GE078CT
10	34120	208	1 or 3	760	22	45	25		GE102	GE102C	-	GE102CT
		240							GE103	GE103C	-	GE103CT
		480							GE107	GE107C	-	GE107CT
		600							GE108	GE108C	-	GE108CT
15	51180	208	1 or 3	1040	29	50	28		208	GE152	GE152C	-
		240						GE153	GE153C	-	GE153CT	
		480						GE157	GE157C	-	GE157CT	
		600						GE158	GE158C	-	GE158CT	
20	68240	208	1 or 3	1260	37	55	31	208	GE202	GE202C	-	GE202CT
		240						GE203	GE203C	-	GE203CT	
		480						GE207	GE207C	-	GE207CT	
		600						GE208	GE208C	-	GE208CT	
25	85300	208	1 or 3	1500	43	61	34	208	GE252	GE252C	-	GE252CT
		480						GE257	GE257C	-	GE257CT	
		600						GE258	GE258C	-	GE258CT	
30	102360	480	1 or 3	1500	43	70	39	480	GE307	GE307C	-	GE307CT
		600						GE308	GE308C	-	GE308CT	
40	136480	480	1 or 3	1500	43	80	44	480	GE407	GE407C	-	GE407CT
		600	1					600	GE408	GE408C	-	GE408CT

Note: Barn Heaters: Approved by Manitoba Hydro for use in buildings housing livestock: c/w low watt density elements, manual reset high limit, built-in thermostat.

Optional Factory Installed Features

- Built-in thermostat 41°F to 100°F (5°C to 38°C)
- Fused control circuit
- Manual reset high limit
- **“FAN ONLY”** switch
- Low voltage relay for remote 24V thermostat
- Epoxy painted fan blade and motor
- Special wattages and voltages
- Special control voltages (standard is 240V)
- Available in special finishes

Accessories for Field Installation

- FAT8 thermostat kit 41°F to 100°F (5°C to 38°C)
- WB210 wall mount bracket (2 to 10 kW)
- WB1540 wall mount bracket (15 to 40 kW)
- Remote thermostat available

To Order Specify

- Quantity
- kW
- Catalog number
- Optional features
- Voltage
- Accessories
- Phase