

Forced Air Heaters Heavy Duty - GX

Application

Caloritech™ GX Forced Air Heater has been designed specifically for heavy duty use in industrial environments. This heater will reduce the downtime and maintenance costs normally experienced with heaters of standard design.

Specifically Designed for Application in Non-Hazardous Environments:

- Mine shafts
- Pulp and paper mills
- Hoist houses
- Welding shops
- Maintenance shops
- Sewage treatment plants
- Chemical plants
- Repair shops
- Wash down areas
- Weigh scale pits
- Elevator shafts
- High humidity areas
- Crane cabs



Standard GX Product Features

- CSA approved for horizontal and vertical air flow
- Automatic reset high-limit
- 15, 20, 25, 30, 40, 50 kW units
- 40 and 50 kW units incorporate split loads (50%) for remotely controlled energy management systems
- Factory-installed transformers, contactors, and thermostats where specified
- Individually adjustable louvres
- Factory-balanced aluminum fan blade
- Fan delay in “ON” and “OFF” cycles
- Full sized control panel with hinged removable door, constructed to EEMAC 12 standards
- “FAN ONLY” terminals for connection to remote switch
- 14-gauge steel cabinet
- Epoxy painted (ASA61 Grey) for superior resistance to corrosion
- 1/3 HP motor with sealed ball bearings and totally enclosed construction
- Ceiling mounting bracket supplied
- Motor mounted outside of the element bundle eliminating premature failure due to overheating and providing easy access for motor maintenance
- Elements are robust Caloritech™ type KX finned tubular sheathed type with epoxy sealed terminals to eliminate contamination from moisture and airborne impurities

Mounting Configurations

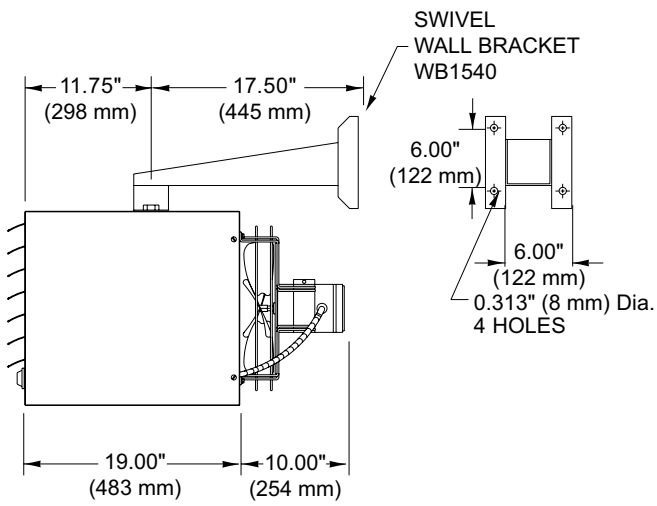


Figure 35 – Horizontal air flow wall mount

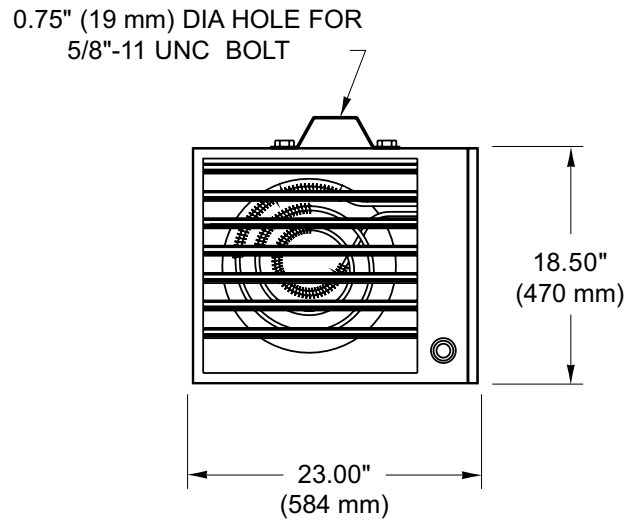


Figure 36 – Horizontal air flow ceiling mount

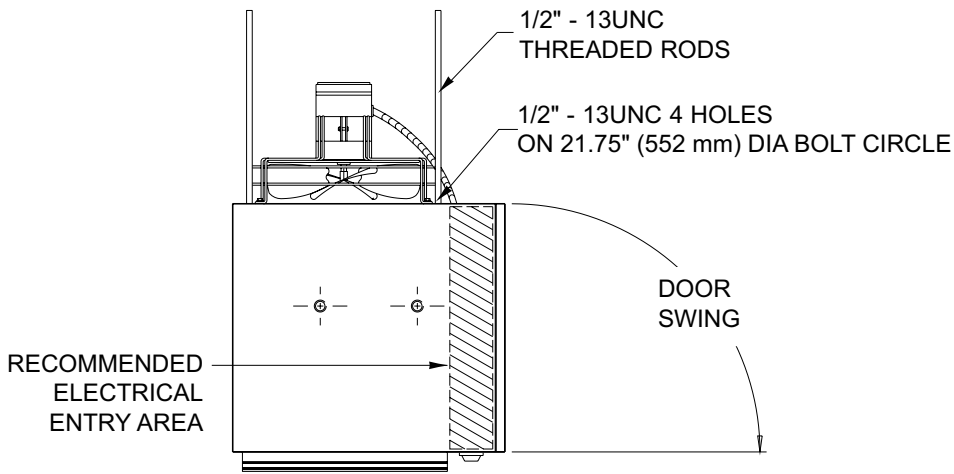


Figure 37 – Vertical air flow

Table 23 – Specifications

kW	Btu/hr	Voltage	Phase	CFM	m ³ /min	Temperature Rise		Catalog No.			Net Weight	
						°F	°C	Basic Unit	Basic Unit With:		lbs	kg
									Contactor	Contactor & Thermostat		
15	51180	208	3	1800	50	25	14	GX152	GX152C	GX152CT	105	47.6
		240	1					GX153	GX153C	GX153CT		
		480	3					GX157	GX157C	GX157CT		
		600	3					GX158	GX158C	GX158CT		
20	68240	208	3	1800	50	34	19	GX202	GX202C	GX202CT	105	47.6
		240	1					GX203	GX203C	GX203CT		
		480	3					GX207	GX207C	GX207CT		
		600	3					GX208	GX208C	GX208CT		
25	85300	208	3	1800	50	41	24	GX252	GX252C	GX252CT	105	47.6
		240	1					GX253	GX253C	GX253CT		
		480	3					GX257	GX257C	GX257CT		
		600	3					GX258	GX258C	GX258CT		
30	102300	480	3	2100	60	41	24	GX307	GX307C	GX307CT	105	47.6
		600						GX308	GX308C	GX308CT		
40	136500	480	3	2100	60	58	32	GX407	GX407C	GX407CT	125	56.7
		600						GX408	GX408C	GX408CT		
50	170600	480	3	2100	60	72	40	GX507	GX507C	GX507CT	125	56.7
		600						GX508	GX508C	GX508CT		

Note:

1. Motor voltage and phase is same as heater supply. The problem has been
2. Standard control voltage is 240V. A control transformer is included where required. Other control voltages are available (check factory).
3. 15, 20, 25, 30 kW units are pre-wired as one circuit. The split load feature (50%) is available as an option.
4. 40 and 50 kW units are pre-wired for split load (50%) control by customer unless specified otherwise.
5. All motors are 1/3 HP, totally enclosed ball bearing type, permanently lubricated, thermally protected.

Optional Factory Installed Features

- Built-in thermostat 41°F to 100°F (5°C to 38°C)
- Disconnect switch with door interlock
- HRC main load fuses
- Fused control circuit
- Manual reset high limit
- **“FAN ONLY”** switch
- Low voltage relay for remote 24V thermostat
- Epoxy painted fan blade and motor
- Special wattages and voltages
- Special control voltages (standard is 240V)
- Available in special finishes
- Split load feature: 15, 20, 25, 30 kW units
- Nickel plated elements
- Alloy elements with brazed alloy fins
- EEMAC 4 construction
- Stainless steel cabinet

Accessories For Field Installation

- FAT8A thermostat kit 41°F to 100°F (5°C to 38°C)
- WB1540 wall mount bracket (horizontal air flow)
- Air diffuser (vertical air flow)
- **“FAN ONLY”** switch and cover plate
- Remote thermostat available

To Order Specify

- Quantity
- Catalog number
- Voltage
- Phase
- kW
- Optional features
- Accessories