

Calorifiers - VC & HC

Electric Calorifiers

Caloritech™ types VC and HC electric calorifiers are essentially hot water storage tanks fitted with one or more flange heaters and a prewired control panel. Simply connect the water and power lines and the system is ready to perform. The tanks are insulated and enclosed with a painted sheet steel housing. Types VC have vertical vessels and types HC horizontal vessels.

Vessels are designed and constructed to ASME code requirements. Code stamping and registration is available on request. Three choices of inner shell materials cover most application requirements.

All units are equipped with a pressure relief valve. A thermometer is located at the top of the vessel near the outlet to provide a quick check on water temperature. Standard equipment also includes an inlet water diffuser, a temperature control thermostat, a high limit thermostat and a pressure gauge.

A 3" inspection opening is standard.
Manholes are optional.

kW Ratings

All heaters feature incoloy® sheathed heating elements. The number and kW rating of the flanged heaters installed in the calorifier are determined from its intended use. Detailed guidelines on optimum sizing of tanks and heaters are covered in ASHRAE handbooks. Some local utilities will also provide assistance on request.

Figures 1 to 4 below represent typical curves which have been devised to assist in sizing. For example, if the storage tank capacity was set at 100 U.S. gallons and the office had a staff of 100, or 1 gallon per person, the required power input from Figure 1 would be 0.35kW/person x 100 persons = 35 kW.

Figure 1 Office Buildings

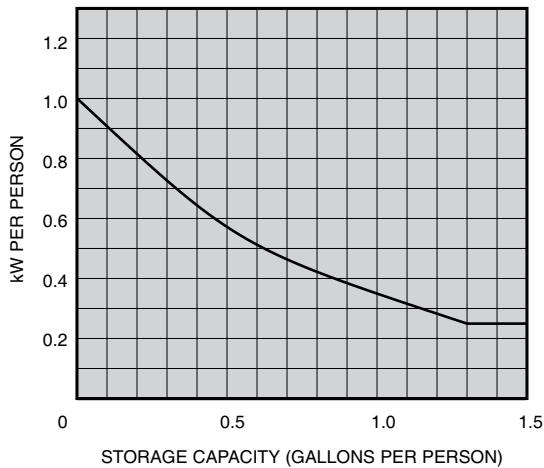


Figure 2 Motels

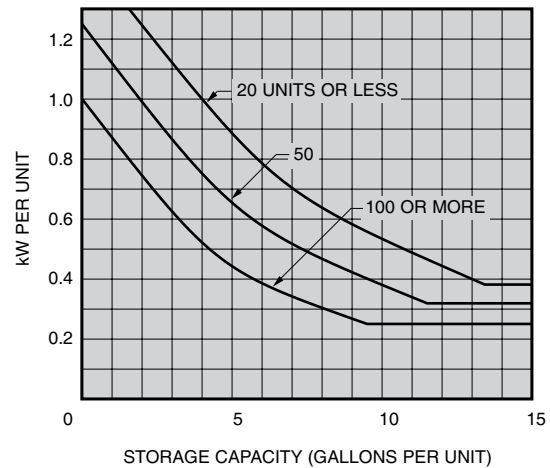


Figure 3 Apartment Buildings

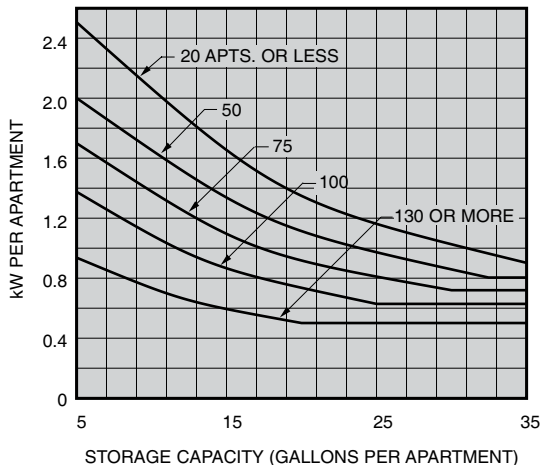
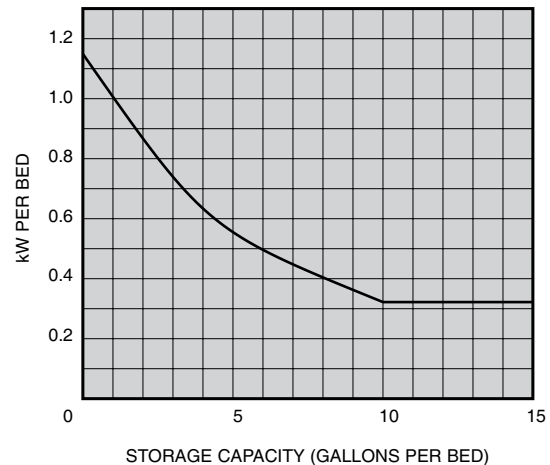


Figure 4 Nursing Homes



VC & HC

Type VCF and HCF - The VCF and HCF calorifiers have an uncoated steel shell best suited to non-potable water heating.

Type VCC and HCC -The VCC and HCC calorifiers have a sprayed copper inner shell for use in applications where high purity water is required.

Type VCG and HCG -The VCG and HCG calorifiers have a galvanized steel inner shell and are best suited for hard water storage.

Pricing

Since all units are custom designed, a standard pricelist is impractical. If possible, choose from the typical tanks shown as a guide in Figures. 5 and 6. Also provide the required KW rating, supply voltage and pressure rating as part of your quotation request.

Standard Connections

1. Immersion Heater
2. Secondary Flow
3. Thermometer
4. Pressure Gauge
5. Safety Valve
6. High Limit Stat
7. Secondary Return
8. Cold Feed
9. Drain
10. Control Panel

Optional Connections

11. Rupture Disc
12. Anti-Vacuum Valve
13. Manhole

Figure 5 Type HC Calorifier

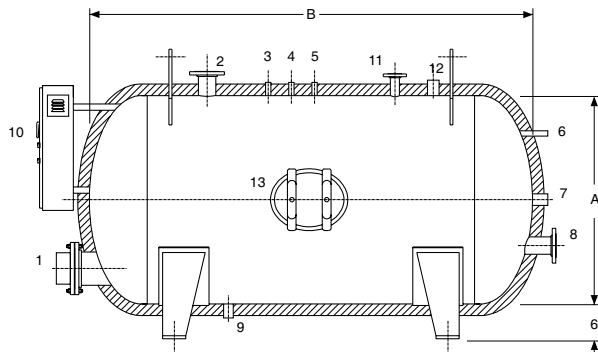
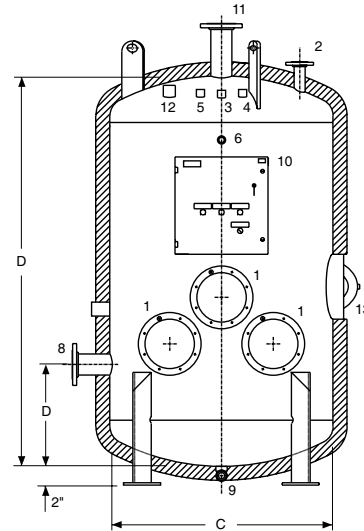


Figure 6 Type VC Calorifier



Litres	Capacity U.S. Gallons	Imperial Gallons	Dimensions				Tank Weight lbs (kg)
			A in (mm)	B in (mm)	C in (mm)	D in (mm)	
500	132	110	24 (610)	81 (2057)	24 (610)	81 (2057)	570 (260)
600	158	132	24 (610)	92 (2337)	24 (610)	92 (2337)	635 (290)
700	185	154	24 (610)	108 (2743)	30 (762)	71 (1803)	720 (328)
800	211	176	30 (762)	78 (1981)	30 (762)	78 (1981)	775 (350)
900	238	198	30 (762)	90 (2286)	30 (762)	90 (2286)	860 (390)
1000	264	220	36 (914)	70 (1778)	36 (914)	70 (1778)	860 (390)
1250	330	275	36 (914)	86 (2184)	36 (914)	86 (2184)	1050 (475)
1500	396	330	36 (914)	102 (2591)	42 (1067)	78 (1981)	1200 (545)
1750	462	385	36 (914)	118 (2997)	42 (1067)	90 (2286)	1300 (590)
2000	528	440	42 (1067)	96 (2438)	48 (1219)	76 (1930)	1700 (770)
2500	660	550	42 (1067)	120 (3048)	48 (1219)	96 (2438)	2150 (975)
3000	792	660	48 (1219)	116 (2946)	54 (1372)	92 (2337)	2350 (1065)
3500	924	770	48 (1219)	132 (3353)	60 (1524)	90 (2286)	2650 (1200)
4000	1056	880	48 (1219)	148 (3789)	60 (1524)	100 (2540)	2900 (1315)
4500	1188	990	54 (1372)	134 (3404)	60 (1524)	112 (2845)	3050 (1380)

VC & HC

