

Digital Indicating Temperature Control for Immersion Heaters

Engineered. Certified. Proven.

The CaloritechTM Digital Indicating Temperature Control option combines the benefits of an electronic temperature controller with the reliability of CaloritechTM's proven Immersion heaters in one simple package. This option provides precise temperature control with real-time, continuous process temperature indication for easy monitoring of critical process operating conditions. The compact integral controller is a cost effective solution by eliminating the need for a separate process control monitoring station.

Features

- Digital indicating display of operating temperature and setpoint
- Hazardous locations ratings: Class I, Div.1&2, Groups A,B,C,D; Class II, Div.1&2, Groups E,F,G; Zones 1 & 2, Groups IIA, IIB, IIC
- Moisture resistant CSA Type 4
- Electronic controller for precise temperature control
- Externally adjustable temperature setting
- Standard temperature ranges:
 - 125°F to 250°F
 - 0°F to 125°F
 - 50°C to 120°C
 - -15°C to 50°C
- Impact resistant tempered glass
- Eliminates the need for separate control station
- CaloritechTM x-Max[®] anodized aluminum enclosure
- Multiple conduit entries
- Terminal block for convenient wiring connection
- External temperature adjustment
- Available for use on Immersion heaters including Screwplug heaters, Flange heaters and Tank Immersion heaters



CCI Thermal Technologies Inc.
2767 Brighton Road
Oakville, Ontario
1-800-410-3131
www.ccithermal.com

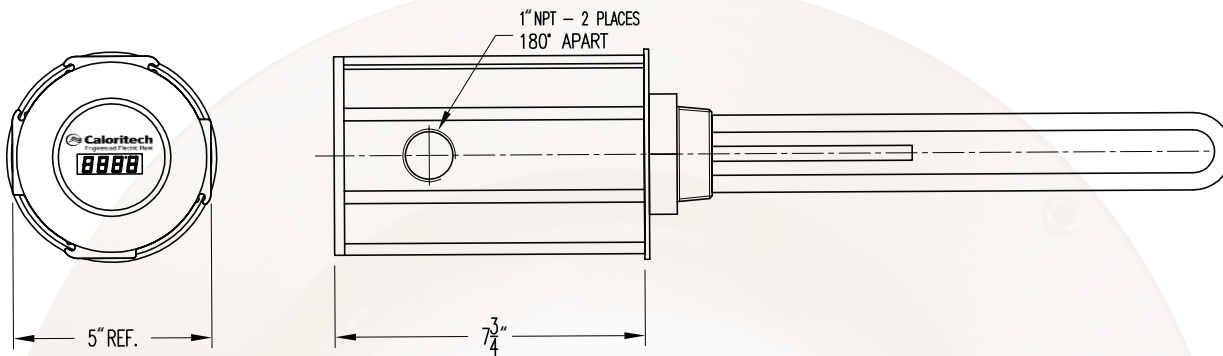




Caloritech™

Engineered Electric Heat

Digital Indicating Temperature Control for Immersion Heaters



Specifications

- Available for 120VAC or 240VAC single phase systems
(optional pilot duty or higher voltage single phase units available)
- On-board 240VAC 30Amp solid state relay
- High visibility LED display
- Continuous display of process temperature
- Available in 125°F to 250°F, 0°F to 125°F, 50°C to 120°C,
-15°C to 50°C temperature ranges

Optional Features

- Available for 120, 208, 240, 480 &
600VAC, single or three phase loads
- Available for pilot duty for use with
external switching contactor or relay
- Internal temperature adjustment
- Special temperature ranges available
- High accuracy temperature sensor



For additional information, please visit www.ccithermal.com

Edmonton
5918 Roper Road
Edmonton, AB T6B 3E1
Canada

Phone 780-466-3178
Fax: 780-468-5904
Toll Free: 1-800-661-8529

Oakville
2767 Brighton Road
Oakville, ON L6H 6J4
Canada

Phone 905-829-4422
Fax: 905-829-4430
Toll Free: 1-800-410-3131

Orillia
1 Hunter Valley Road
Orillia, ON L3V 6H2
Canada

Phone 705-325-3473
Fax: 705-325-2106
Toll Free: 1-877-325-3473

Greensburg
1420 West Main Street
Greensburg, IN 47240
USA

Phone 812-663-4141
Fax: 812-663-4202
Toll Free: 1-800-473-2402