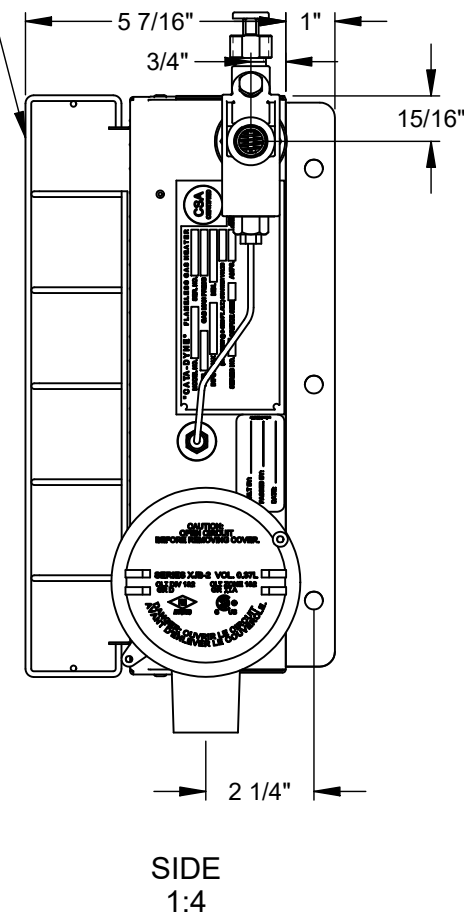


OPTIONAL PROTECTION GRILL SHOWN FOR REFERENCE

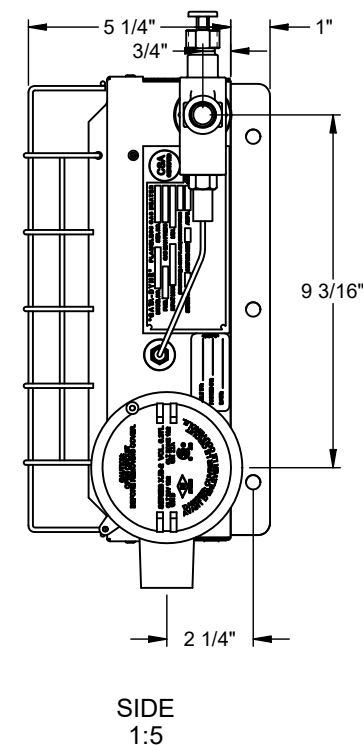
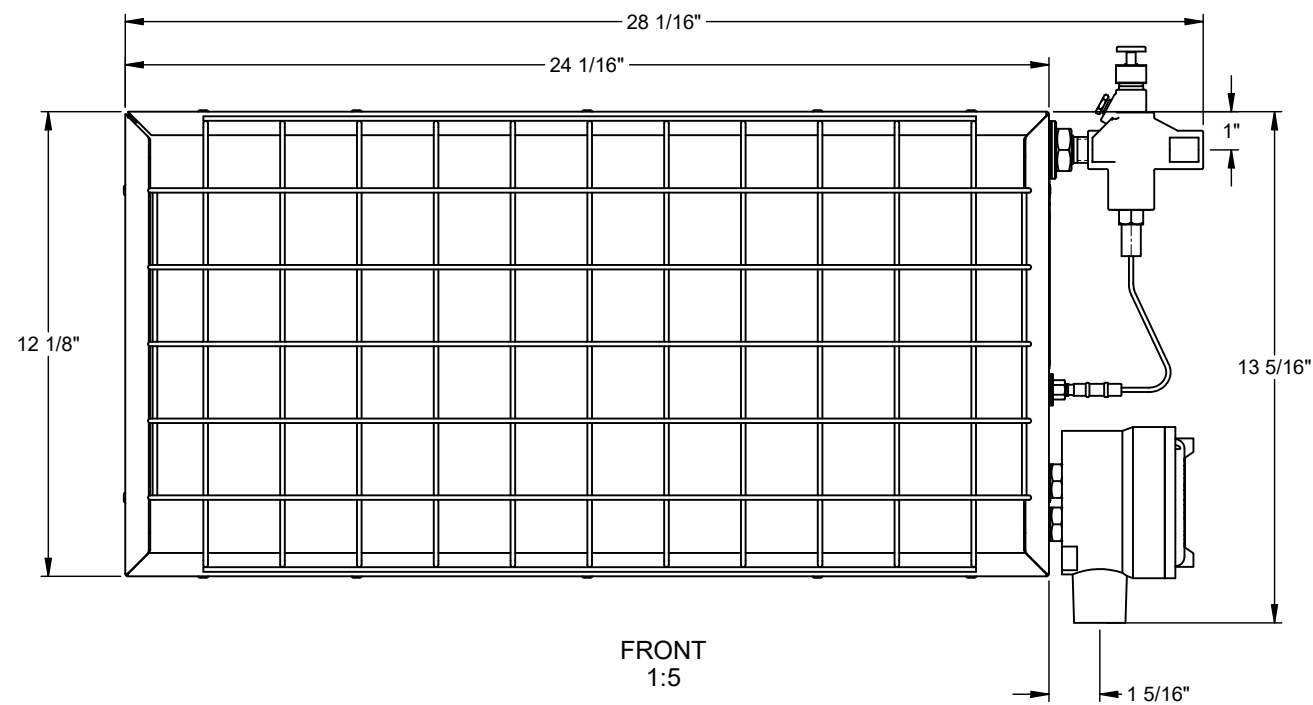
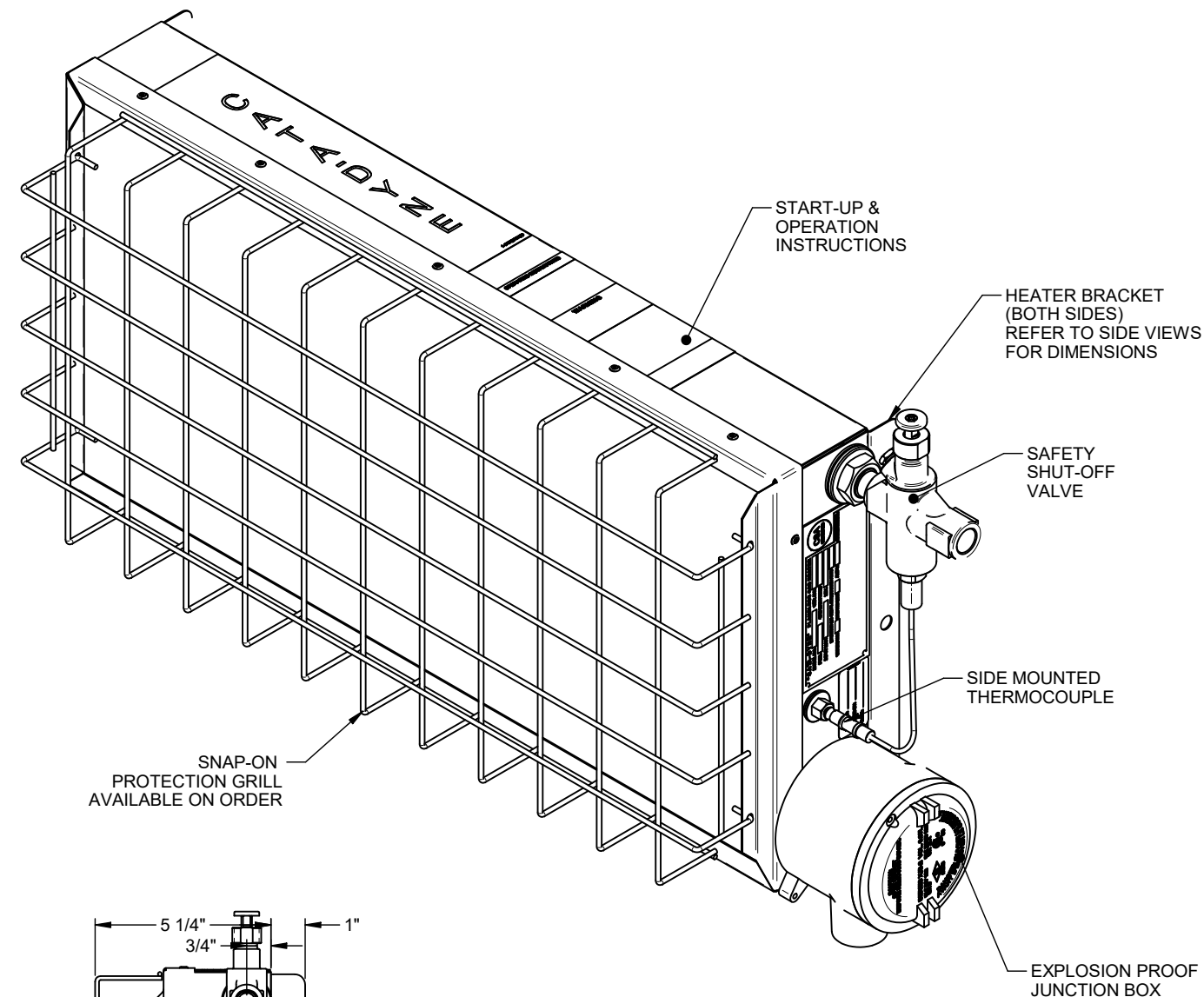
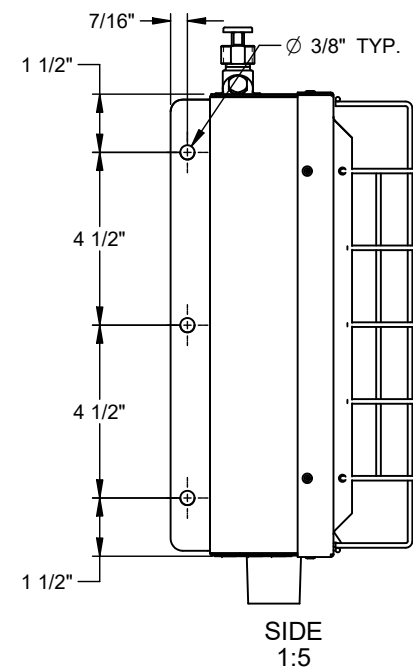


NOTES:

APPROXIMATE WEIGHT UNPACKAGED: 14LBS

REV.	REVISION DESCRIPTION	DATE	BY
TITLE: 12x12 MKII Cata-Dyne™ Oil & Gas Heater			
DWG NO.: 01-01-0001 SHEET: 1 OF 1		TOLERANCE UNLESS NOTED OTHERWISE	
SYTLINE NO.: N/A		± 1/2° ANGULAR	± 0.005" DECIMAL
SCALE: AS SHOWN		± 1/16" FRACTIONAL	± mm METRIC
DRN BY: D. AMYOTTE		10 Jun 2004	
CHK'D BY: NJS			
APP'D. BY: MAN			





SNAP-ON PROTECTION GRILL AVAILABLE ON ORDER

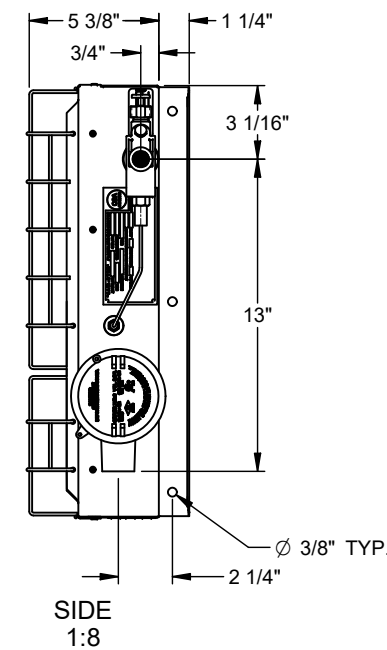
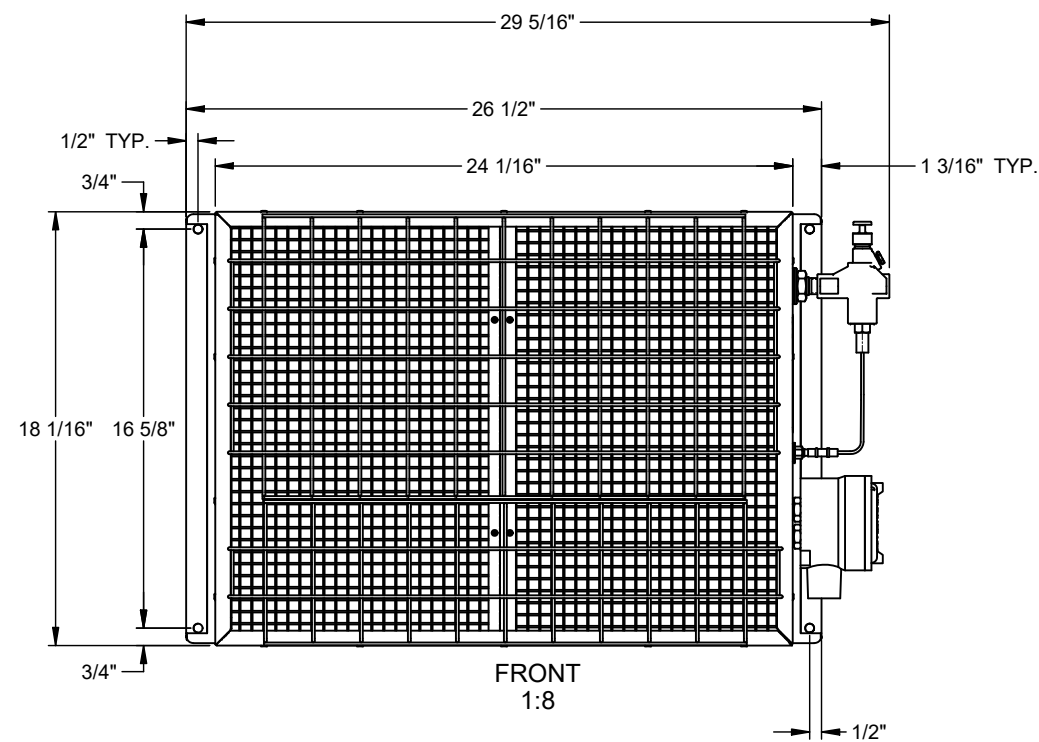
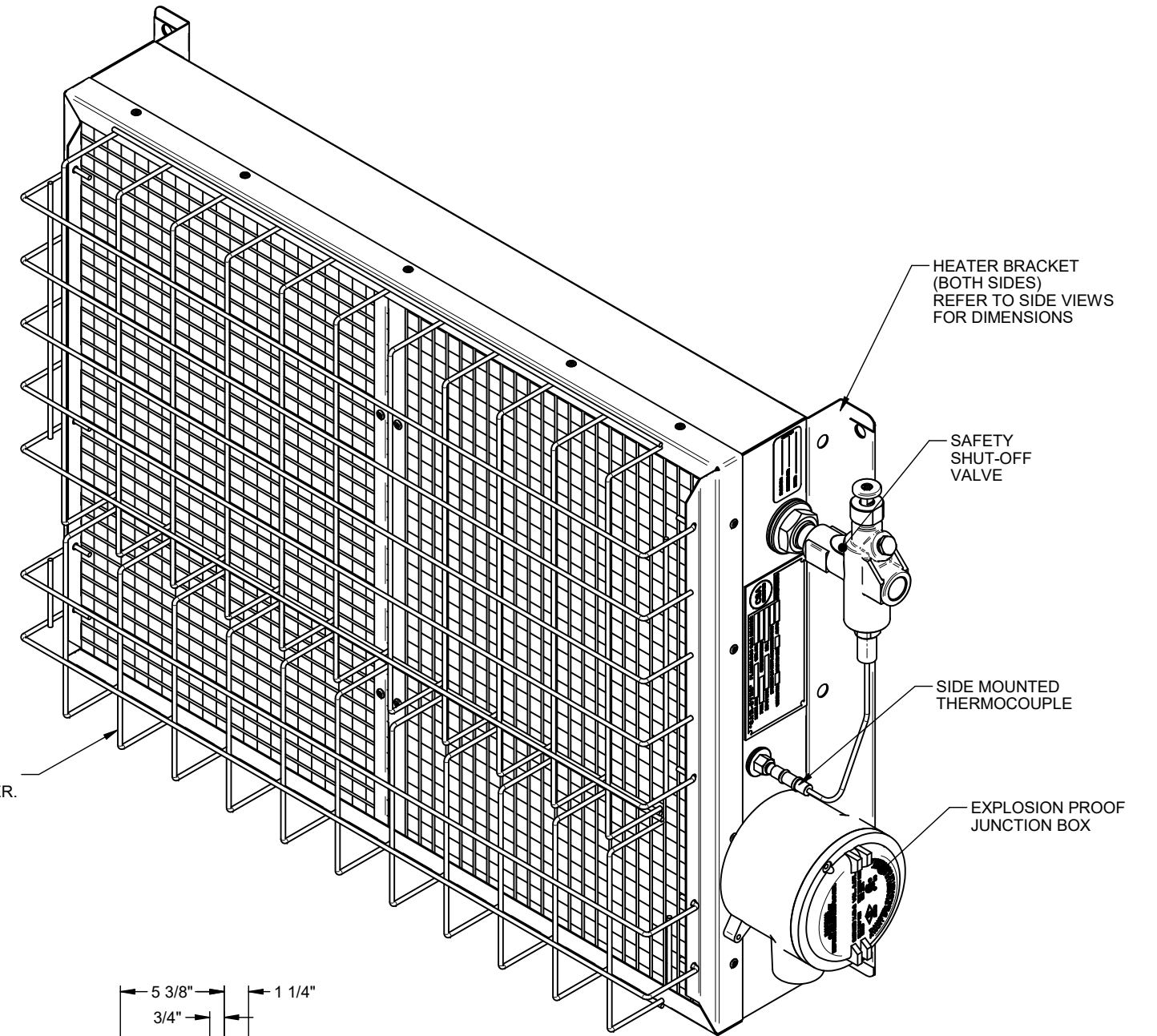
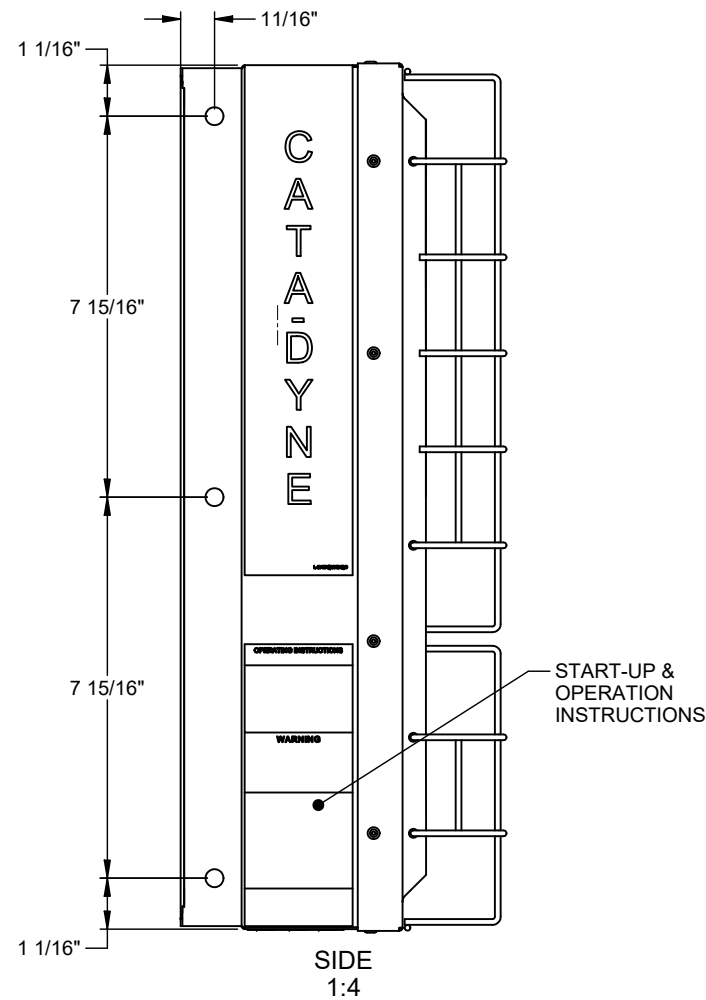
NOTES:
APPROXIMATE WEIGHT UNPACKAGED: 21 LBS

2	SHEETS ADDED	20 JAN 2012	NJS
1	JUNCTION BOX CHANGED TO XJB-1	10 JUN 08	CF
REV.	REVISION DESCRIPTION	DATE	BY

TITLE: 12x24 MKII Cata-Dyne™ Oil & Gas Heater

DWG NO.: 01-01-0005	SHEET: SHT 3 OF 6	TOLERANCE UNLESS NOTED OTHERWISE			
SYTLINE NO.: N/A		± 1/2°	± 0.005"	± 1/16"	± mm
SCALE: AS SHOWN		ANGULAR	DECIMAL	FRACTIONAL	METRIC
DRN BY: nsanchez	09 Jun 2004				
CHK'D BY: NJS					
APP'D. BY: MAN					

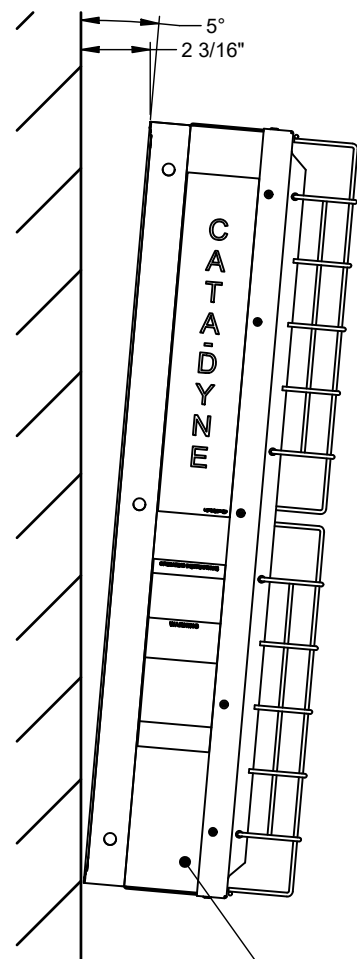




NOTES:

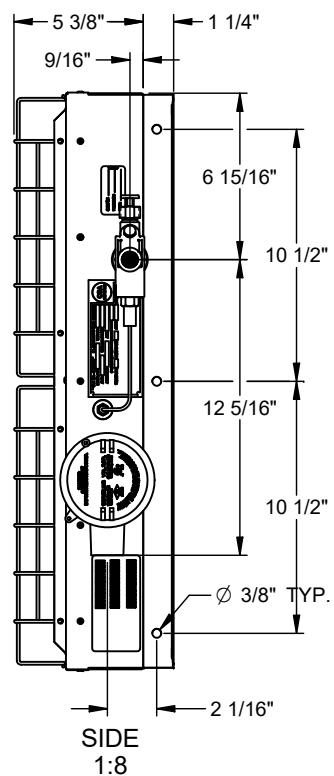
APPROXIMATE WEIGHT UNPACKAGED: 29 LBS

REV.	REVISION DESCRIPTION	DATE	BY
TITLE: 18x24 MKII Cata-Dyne™ Oil & Gas Heater			
DWG NO.: 01-01-0002 SHEET: 1 OF 1		TOLERANCE UNLESS NOTED OTHERWISE	
SYTLINE NO.: N/A		± 1/2°	± 0.005"
SCALE: AS SHOWN		ANGULAR	DECIMAL
DRN BY: nsanchez 07 Jun 2004		± 1/16"	± mm
CHK'D BY: NJS		FRACTIONAL	METRIC
APP'D. BY: MAN			

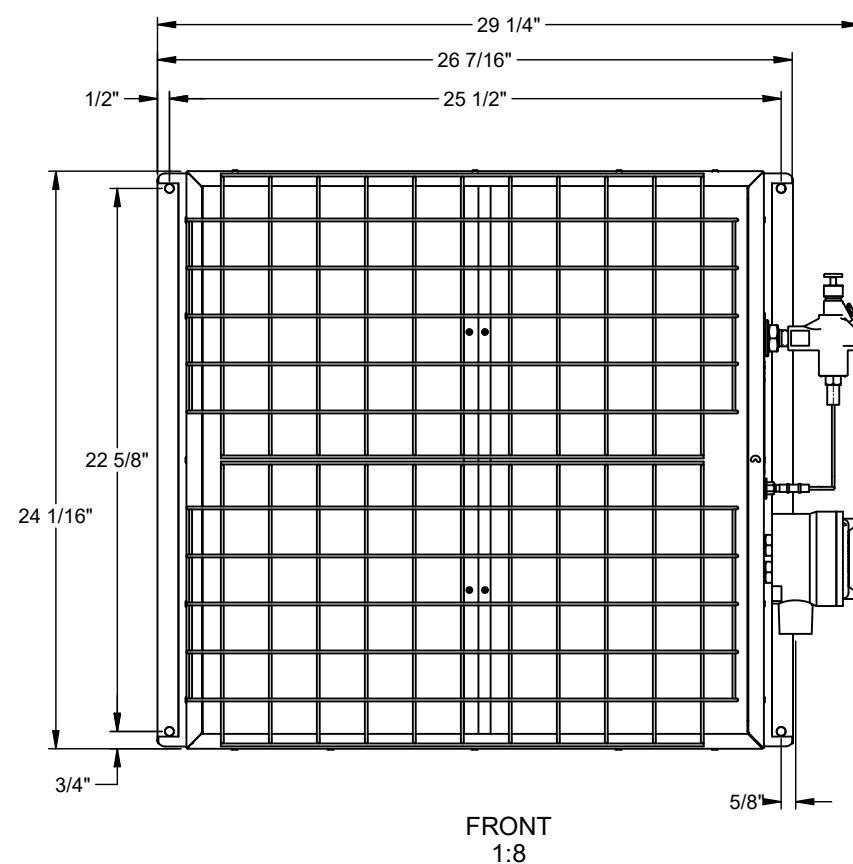


SIDE
1:6

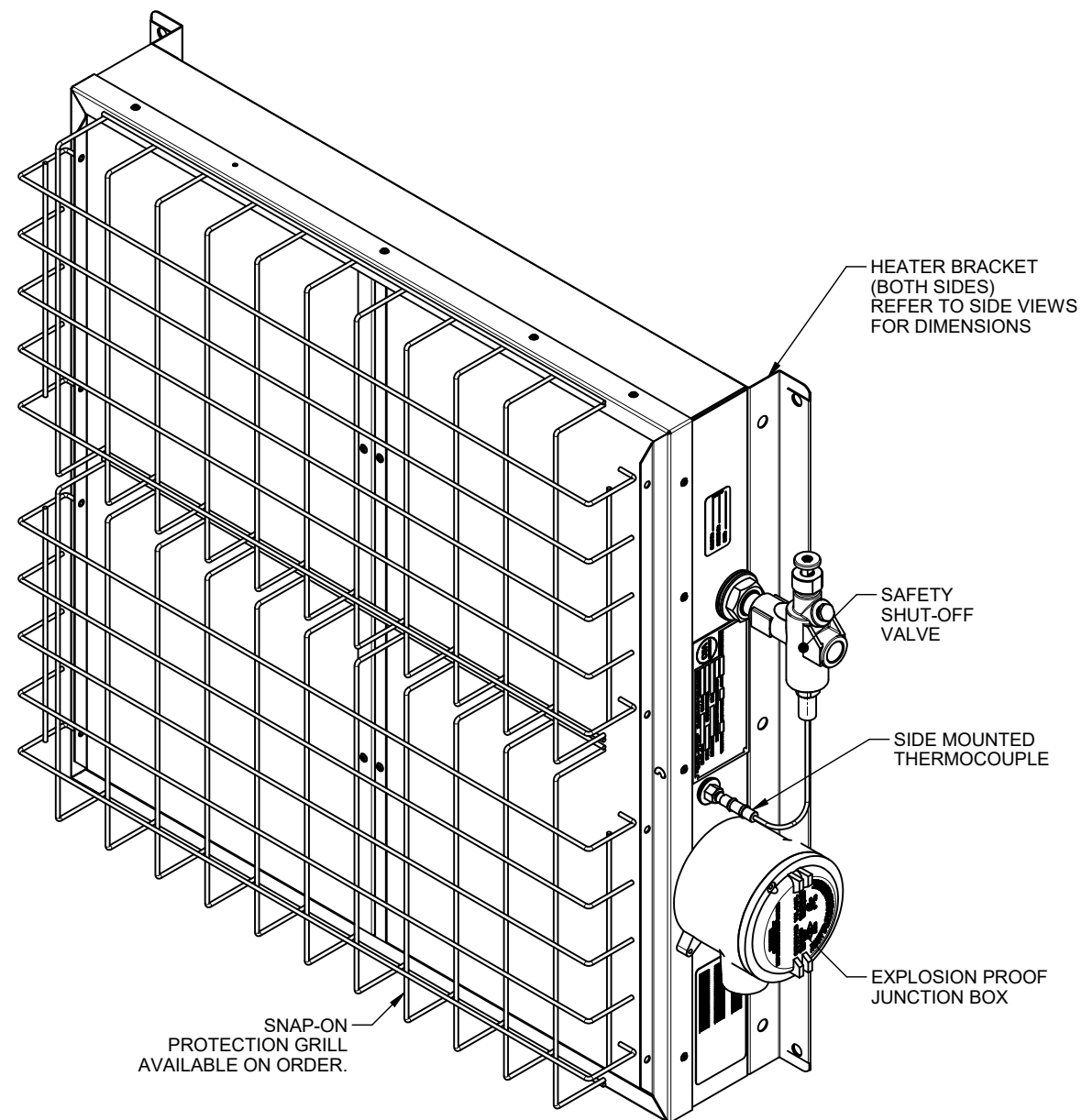
START-UP &
OPERATION
INSTRUCTIONS



SIDE
1:8



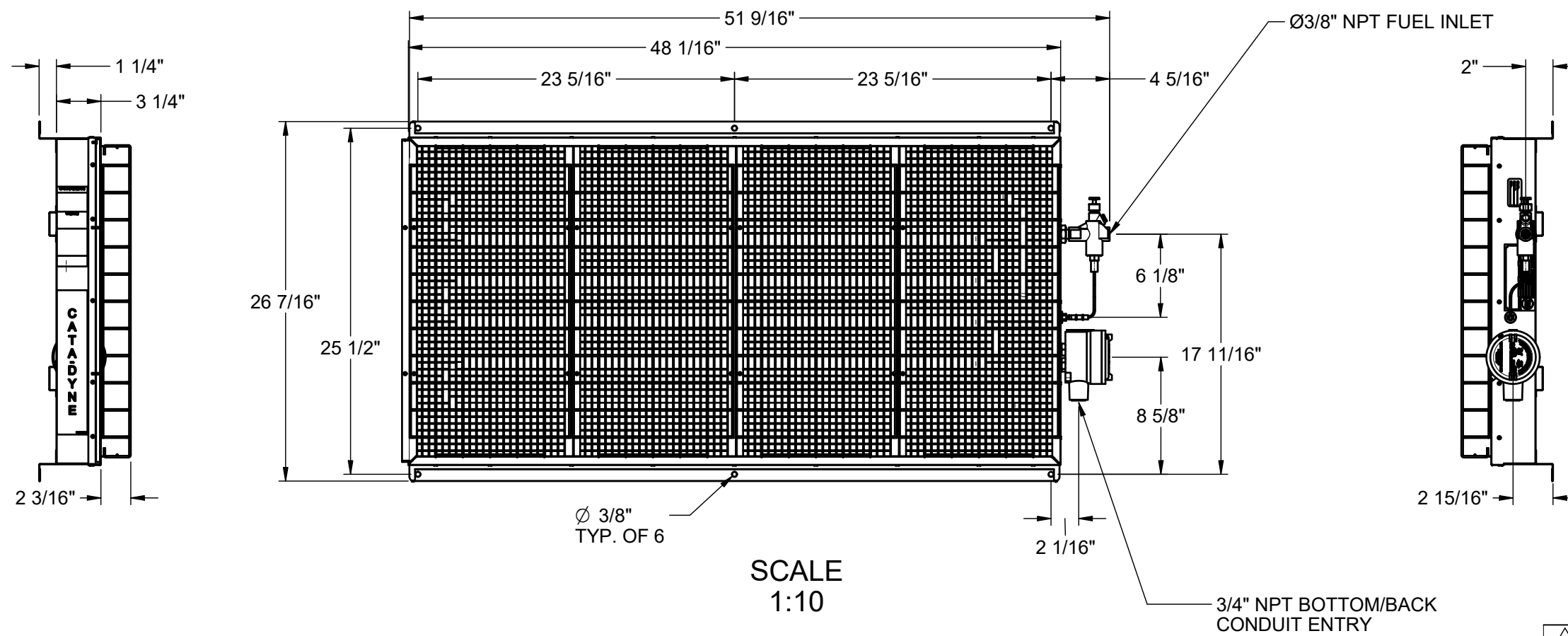
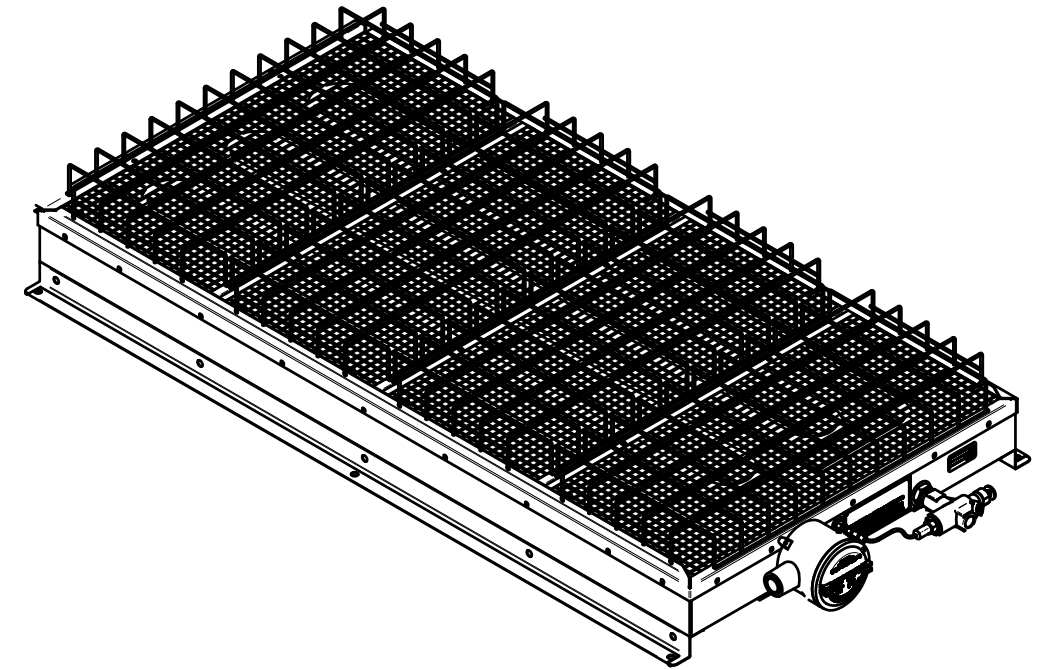
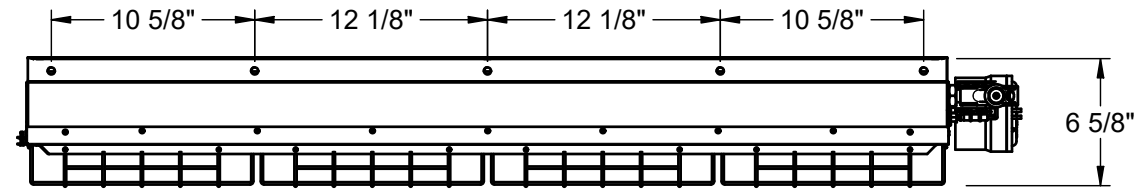
FRONT
1:8



NOTES:
APPROXIMATE WEIGHT UNPACKED: 31 LBS

REV.	REVISION DESCRIPTION	DATE	BY
TITLE: 24x24 MKII Cata-Dyne™ Oil & Gas Heater			
DWG NO.: 01-01-0004 SHEET: 1 OF 1		TOLERANCE UNLESS NOTED OTHERWISE	
SYTILINE NO.: N/A		± 1/2° ANGULAR	± 0.005" DECIMAL
SCALE: AS SHOWN		± 1/16" FRACTIONAL	± mm METRIC
DRN BY: nsanchez		07 Jun 2004	
CHK'D BY: NJS			
APP'D. BY: MAN			



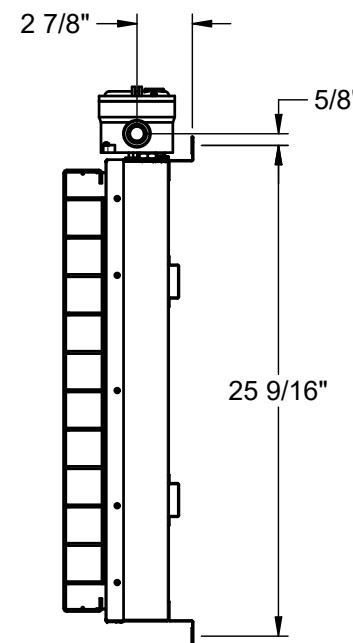
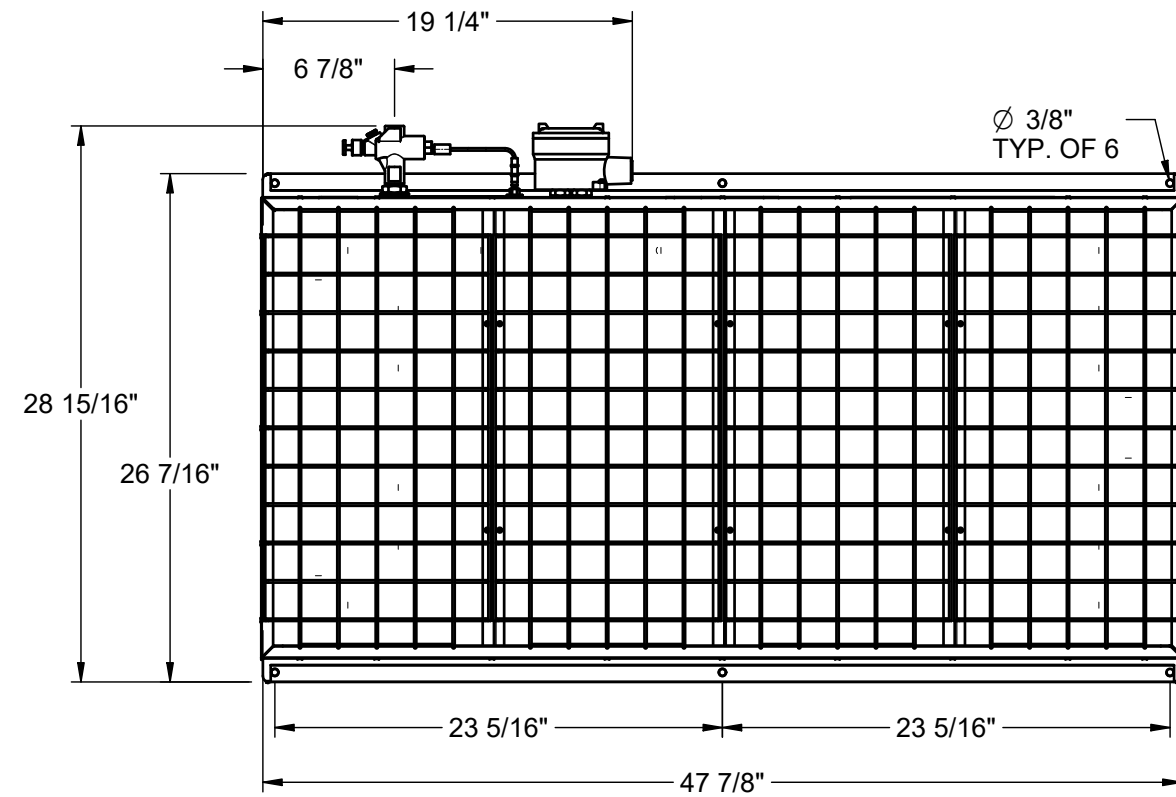
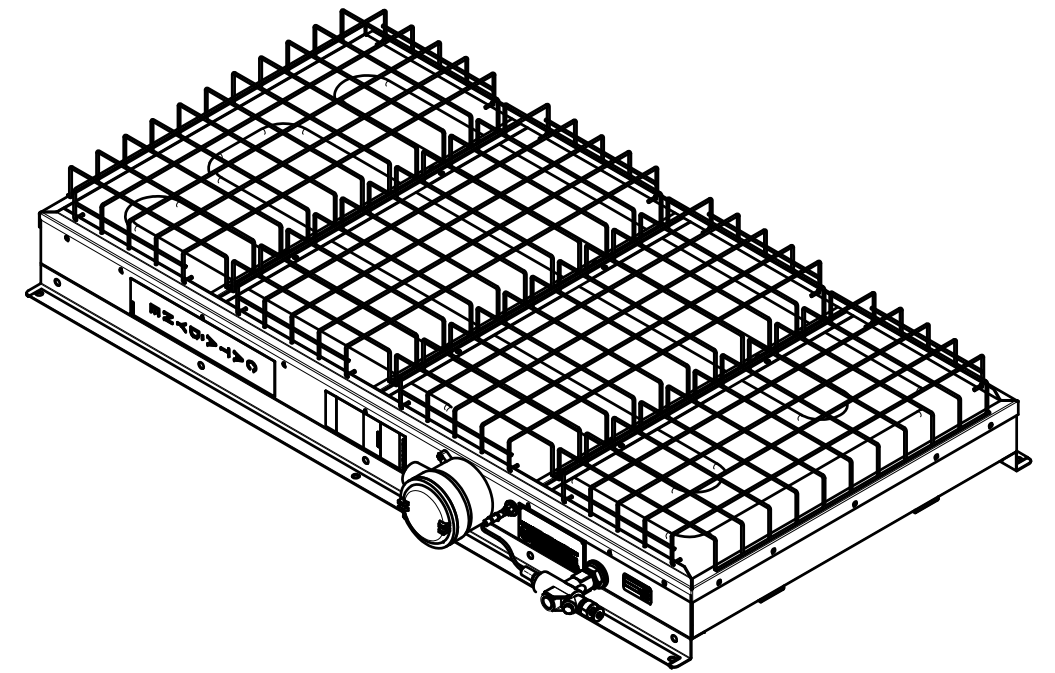
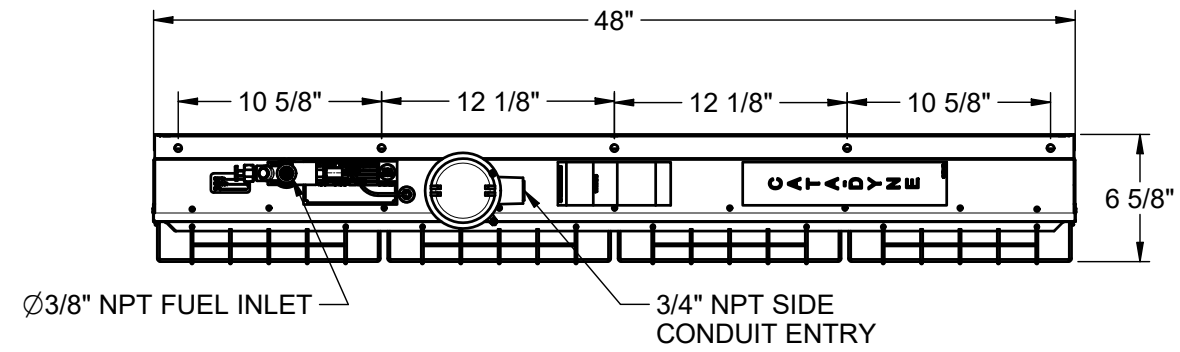


SCALE
1:10

NOTES:

- 1) ALL DIMENSIONS IN INCHES.
- 2) PART NUMBER: MK2448-211112
- 3) APPROXIMATE WEIGHT UNPACKAGED: 70 LBS

1	UPDATED XJB-1 JUNCTION BOX	26 APR 08	CF
REV.	REVISION DESCRIPTION	DATE	BY
TITLE: MKII - 24x48 FINAL ASSEMBLY			
DWG NO.: 01-01-0031	SHEET:	TOLERANCE UNLESS NOTED OTHERWISE	
SYTILINE NO.: MK2448-211112		± 1/2"	± 0.005"
SCALE: AS SHOWN		ANGULAR	DECIMAL
DRN BY: gheidt		± 1/16"	± mm
CHK'D BY:		FRACTIONAL	METRIC
APP'D. BY:			



SCALE
1:10

NOTES:

- 1) ALL DIMENSIONS IN INCHES.
- 2) PART NUMBER: MK2448-211111-L
- 3) APPROXIMATE WEIGHT UNPACKAGED 70 LBS

REV.	REVISION DESCRIPTION	DATE	BY
TITLE: MKII - Long Side Left 24x48 Final Assembly			
DWG NO.: 01-01-0033	SHEET:	TOLERANCE UNLESS NOTED OTHERWISE	
SYTELINE NO.: MK2448-211111-L		± 1/2° ANGULAR	± 0.005" DECIMAL
		± 1/16" FRACTIONAL	± mm METRIC
SCALE: AS SHOWN			
DRN BY: gheidt	03 Jun 2004		
CHK'D BY:			
APPD. BY:			

