

Sure Seal™ Pipeline Systems

The Cata-Dyne™ Sure Seal™ pipeline system is a unique infrared heating system consisting of a number of Cata-Dyne™ heaters mounted in a clamshell frame configuration to provide a safe and fast method of applying heat to the construction and maintenance of various sizes of pipeline systems.

Applications

Large surface area of the Cata-Dyne™ heater allows for efficient transfer of infrared heat that can be utilized in a variety of pipeline applications.

- Suitable for preformed or wrap around sleeves
- Ideal for both preheat and shrink sleeve processes
- Can be used for baking to remove hydrogen induced cracking
- Appropriate for a variety of manufacturers' sleeves
- Can be used in windy or poor weather

Features

- Utilizes the Cata-Dyne™ heater for high temperature applications
- Models available for 2" (51 mm) diameter or greater pipelines
- Requires no water, electricity or compressed air to operate
- Faster than tiger torch methods and uses less propane
- Portable and easily operated by one person, depending on pipeline sizes
- Custom built equipment and other options are available upon special request
- Utilizes the hottest catalytic gas heater on the market

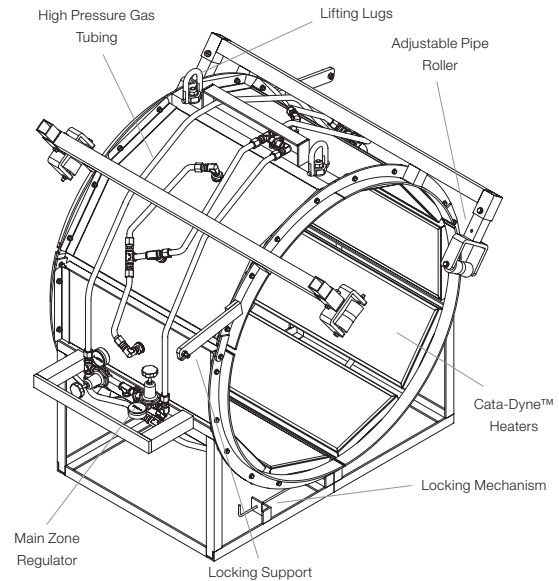
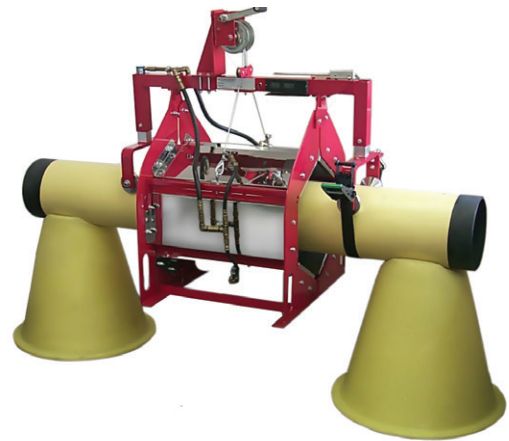


Figure 5

Table 11 – Sure Seal™ Pipeline Systems Dimensions & Data

| Part No. | Pipe Dimensions | | | | | | | | Weight | | Approx. Propane Consumption |
|------------|-----------------|------------|----|------|----|------|----|------|--------|----|-----------------------------|
| | Diameter | | L | | W | | H | | lbs | kg | |
| | in | mm | in | mm | in | mm | in | mm | | | lb/hr |
| SS2-4/24 | 2 to 4 | 51 to 102 | 40 | 1016 | 30 | 762 | 15 | 381 | 78 | 35 | 2.2 |
| SS6-8/24 | 6 to 8 | 152 to 203 | | | 32 | 813 | 19 | 486 | 85 | 39 | 2.2 |
| SS10-12/24 | 10 to 12 | 254 to 305 | | | 34 | 864 | 23 | 584 | 94 | 42 | 2.2 |
| SS16-18/24 | 16 to 18 | 406 to 457 | | | 40 | 1016 | 28 | 714 | 122 | 55 | 3.8 |
| SS20-24/36 | 20 to 24 | 508 to 610 | 52 | 1321 | 52 | 1321 | 40 | 1016 | 205 | 93 | 5.5 |