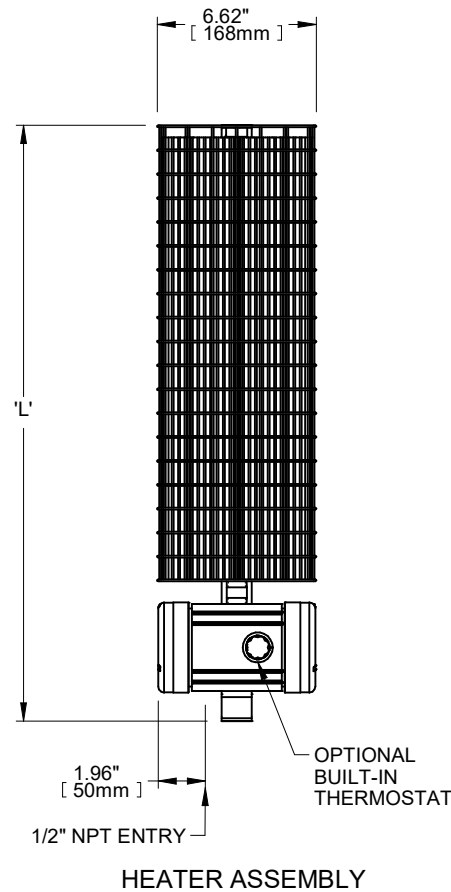
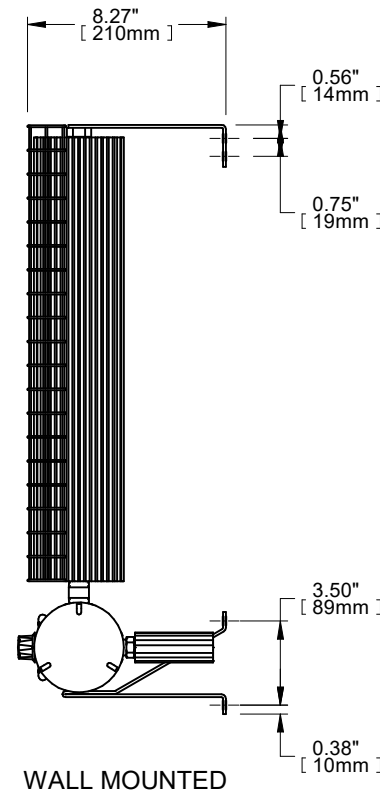


FLOOR MOUNTED



HEATER ASSEMBLY



WALL MOUNTED

STANDARD FEATURES

•SUITABLE FOR CLASS I, GROUPS A, B, C & D; SOME MODELS AVAILABLE WITH CLASS I, GROUPS A, B, C & D, CLASS II, GROUPS E, F & D, CLASS III (DEPENDING ON TEMPERATURE CODE).

•SUITABLE FOR TEMPERATURE CODES T2D, T3B, T4A OR T6, DEPENDING ON UNIT SPECIFIED.

•HIGH SURFACE AREA BLACK ANODIZED HEAT EMITTER WITH INTEGRAL TUBULAR HEATING ELEMENTS.

•PATENTED X-MAX HOUSING WITH SLIDE OUT TERMINAL BLOCK TROLLEY SIMPLIFIES INSTALLATION AND SERVICING.

•NICKEL PLATED WIRE GUARDS ON ALL MODELS.

•304SS UNIVERSAL SUPPORT LEG FOR WALL OR FLOOR MOUNTING.

THERMOSTAT

•OPTIONAL BUILT-IN, EXTERNALLY ADJUSTABLE, BULB TYPE THERMOSTAT. FIELD CONVERTIBLE TO TAMPER-PROOF.

OPTIONAL ACCESSORIES (INCLUDED IF CHECKED)

- (A) BUILT-IN, EXTERNALLY ADJUSTABLE THERMOSTAT.
- (B) REMOTE MOUNTING 'XT' MODEL THERMOSTAT.

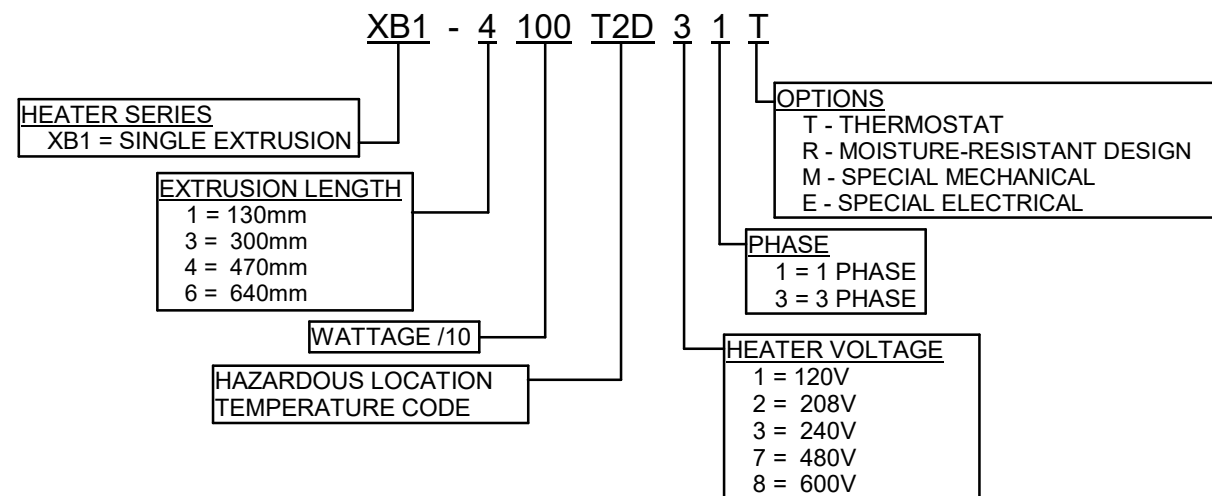


TABLE 1 - SPECIFICATIONS

WATTS	VOLTS	PHASE	'L' DIM.	APPROX WEIGHT	CATALOG No.	BASIC UNIT	WITH THERMOSTAT		
50	120	1	10.0" (254mm)	10lbs (4.5Kg)	XB1-1005T61	<input type="checkbox"/>	<input type="checkbox"/>		
100	120				XB1-1010T4A1	<input type="checkbox"/>	<input type="checkbox"/>		
175	120				XB1-1017T4A1	<input type="checkbox"/>	<input type="checkbox"/>		
200	120		30.1" (765mm)	25lbs (11.3Kg)	XB1-6020T61	<input type="checkbox"/>	<input type="checkbox"/>		
	208				XB1-6020T62	<input type="checkbox"/>	<input type="checkbox"/>		
	240				XB1-6020T63	<input type="checkbox"/>	<input type="checkbox"/>		
300	120		10.0" (254mm)	10lbs (4.5Kg)	XB1-1030T3B1	<input type="checkbox"/>	<input type="checkbox"/>		
	450				30.1" (765mm)	25lbs (11.3Kg)	XB1-6045T4A1	<input type="checkbox"/>	<input type="checkbox"/>
							XB1-6045T4A2	<input type="checkbox"/>	<input type="checkbox"/>
							XB1-6045T4A3	<input type="checkbox"/>	<input type="checkbox"/>
475	120		10.0" (254mm)	10lbs (4.5Kg)	XB1-6045T4A7	<input type="checkbox"/>	<input type="checkbox"/>		
	208				XB1-6045T4A8	<input type="checkbox"/>	<input type="checkbox"/>		
	240	XB1-1047T2D1			<input type="checkbox"/>	<input type="checkbox"/>			
	240	XB1-1047T2D2			<input type="checkbox"/>	<input type="checkbox"/>			
750	120	16.7" (424mm)	15lbs (6.8Kg)	XB1-1047T2D3	<input type="checkbox"/>	<input type="checkbox"/>			
	1000			23.4" (594mm)	20lbs (9.1Kg)	XB1-3047T3B1	<input type="checkbox"/>	<input type="checkbox"/>	
						XB1-3047T3B2	<input type="checkbox"/>	<input type="checkbox"/>	
						XB1-3047T3B3	<input type="checkbox"/>	<input type="checkbox"/>	
1250	120	30.1" (765mm)	25lbs (11.3Kg)	XB1-3075T2D1	<input type="checkbox"/>	<input type="checkbox"/>			
	208			XB1-3075T2D2	<input type="checkbox"/>	<input type="checkbox"/>			
	240			XB1-3075T2D3	<input type="checkbox"/>	<input type="checkbox"/>			
	1350			120	30.1" (765mm)	25lbs (11.3Kg)	XB1-4100T2D1	<input type="checkbox"/>	<input type="checkbox"/>
208		XB1-4100T2D2	<input type="checkbox"/>	<input type="checkbox"/>					
240		XB1-4100T2D3	<input type="checkbox"/>	<input type="checkbox"/>					
1000		240	23.4" (594mm)	20lbs (9.1Kg)			XB1-4100T2D7	<input type="checkbox"/>	<input type="checkbox"/>
	XB1-4100T2D8				<input type="checkbox"/>	<input type="checkbox"/>			
	1250				30.1" (765mm)	25lbs (11.3Kg)	XB1-6125T2D1	<input type="checkbox"/>	<input type="checkbox"/>
							XB1-6125T2D2	<input type="checkbox"/>	<input type="checkbox"/>
XB1-6125T2D3		<input type="checkbox"/>	<input type="checkbox"/>						
XB1-6125T2D7		<input type="checkbox"/>	<input type="checkbox"/>						
1350	240	30.1" (765mm)	25lbs (11.3Kg)	XB1-6125T2D8	<input type="checkbox"/>	<input type="checkbox"/>			
				XB1-6135T2D1	<input type="checkbox"/>	<input type="checkbox"/>			
				XB1-6135T2D2	<input type="checkbox"/>	<input type="checkbox"/>			
				XB1-6135T2D3	<input type="checkbox"/>	<input type="checkbox"/>			
1000	480	23.4" (594mm)	20lbs (9.1Kg)	XB1-6135T2D7	<input type="checkbox"/>	<input type="checkbox"/>			
				XB1-6135T2D8	<input type="checkbox"/>	<input type="checkbox"/>			
				1250	30.1" (765mm)	25lbs (11.3Kg)	XB1-6135T2D3	<input type="checkbox"/>	<input type="checkbox"/>
							XB1-6135T2D7	<input type="checkbox"/>	<input type="checkbox"/>
XB1-6135T2D8	<input type="checkbox"/>	<input type="checkbox"/>							
XB1-6135T2D3	<input type="checkbox"/>	<input type="checkbox"/>							

REV.	REVISION DESCRIPTION	DATE	BY
TITLE: XB1 SERIES HEATER			
DWG NO.: 51948		SHEET: 1 OF 1	
SYTLINE NO.: SEE TABLE		TOLERANCE UNLESS NOTED OTHERWISE	
SCALE: 1:8		± 1/2" ANGULAR	± 0.005" DECIMAL
DRN BY: GMillard		± 1/16" FRACTIONAL	± 1 mm METRIC
CHK'D BY:		20 Apr 2016	
APP'D. BY:			



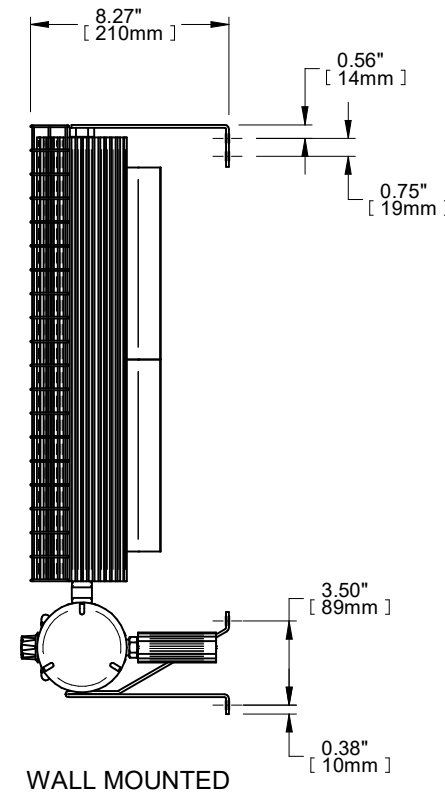
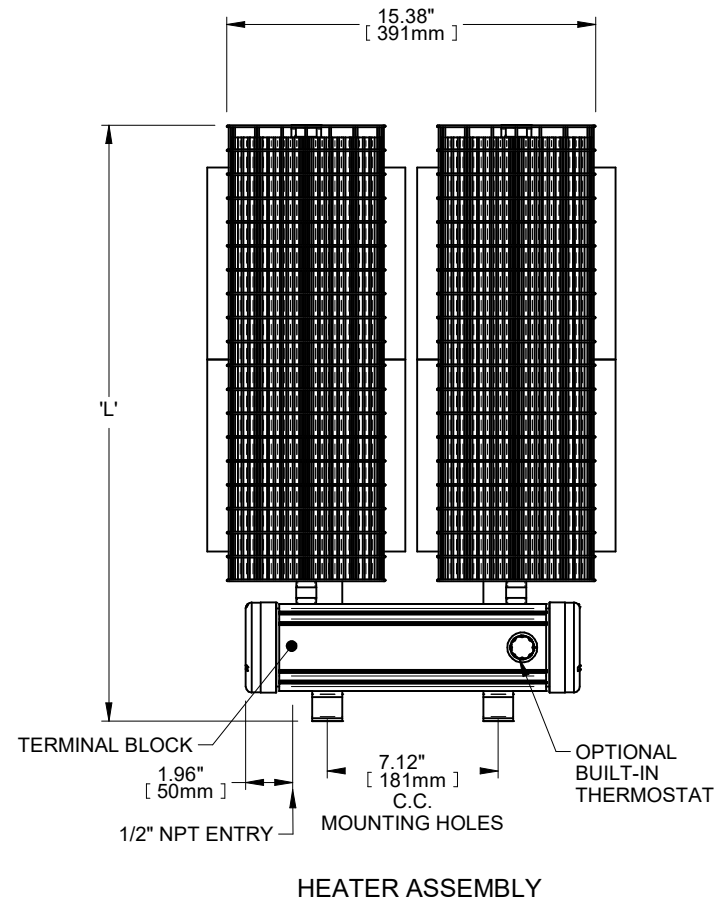
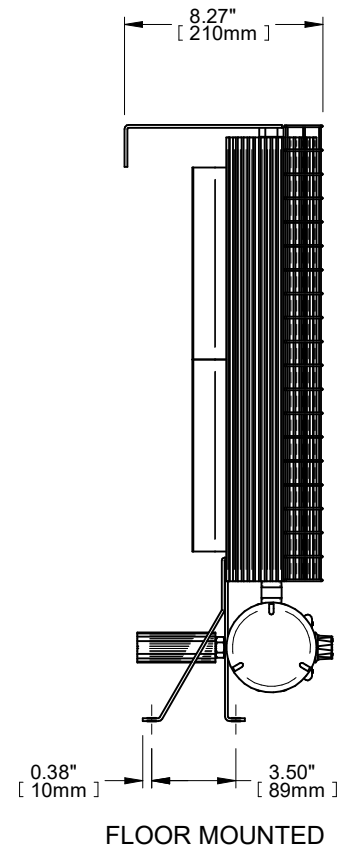


TABLE 1 - SPECIFICATIONS									
WATTS	VOLTS	PHASE	L' DIM.	APPROX WEIGHT	CATALOG No.	BASIC UNIT	WITH THERMOSTAT		
400	120	1 or 3	30.1" (765mm)	50lbs (22.7Kg)	XB2-6040T61	<input type="checkbox"/>	<input type="checkbox"/>		
	208				XB2-6040T62	<input type="checkbox"/>	<input type="checkbox"/>		
	240				XB2-6040T63	<input type="checkbox"/>	<input type="checkbox"/>		
750	120		10.0" (254mm)	20lbs (9.1Kg)	XB2-1075T2D1	<input type="checkbox"/>	<input type="checkbox"/>		
	208		30.1" (765mm)	50lbs (22.7Kg)	XB2-6085T4A1	<input type="checkbox"/>	<input type="checkbox"/>		
240	XB2-6085T4A2				<input type="checkbox"/>	<input type="checkbox"/>			
850	480				XB2-6085T4A3	<input type="checkbox"/>	<input type="checkbox"/>		
	600				XB2-6085T4A7	<input type="checkbox"/>	<input type="checkbox"/>		
1000	120				23.4" (594mm)	40lbs (18.1Kg)	XB2-6085T4A8	<input type="checkbox"/>	<input type="checkbox"/>
	208						XB2-4100T3B1	<input type="checkbox"/>	<input type="checkbox"/>
	240		XB2-4100T3B2	<input type="checkbox"/>			<input type="checkbox"/>		
1500	120		16.7" (424mm)	30lbs (13.6Kg)	XB2-4100T3B3	<input type="checkbox"/>	<input type="checkbox"/>		
		208			XB2-3150T2D1	<input type="checkbox"/>	<input type="checkbox"/>		
		240			XB2-3150T2D2	<input type="checkbox"/>	<input type="checkbox"/>		
	240	30.1" (765mm)	50lbs (22.7Kg)	XB2-3150T2D3	<input type="checkbox"/>	<input type="checkbox"/>			
				480	XB2-6150T3B1	<input type="checkbox"/>	<input type="checkbox"/>		
				600	XB2-6150T3B2	<input type="checkbox"/>	<input type="checkbox"/>		
				2000	23.4" (594mm)	40lbs (18.1Kg)	XB2-6150T3B3	<input type="checkbox"/>	<input type="checkbox"/>
							480	XB2-6150T3B7	<input type="checkbox"/>
600	XB2-6150T3B8	<input type="checkbox"/>	<input type="checkbox"/>						
2500	120	30.1" (765mm)	50lbs (22.7Kg)	XB2-4200T2D1	<input type="checkbox"/>	<input type="checkbox"/>			
				208	XB2-4200T2D2	<input type="checkbox"/>	<input type="checkbox"/>		
				240	XB2-4200T2D3	<input type="checkbox"/>	<input type="checkbox"/>		
	480			XB2-4200T2D7	<input type="checkbox"/>	<input type="checkbox"/>			
				600	XB2-4200T2D8	<input type="checkbox"/>	<input type="checkbox"/>		
	240			30.1" (765mm)	50lbs (22.7Kg)	XB2-6250T2D1	<input type="checkbox"/>	<input type="checkbox"/>	
						480	XB2-6250T2D2	<input type="checkbox"/>	<input type="checkbox"/>
						600	XB2-6250T2D3	<input type="checkbox"/>	<input type="checkbox"/>
480	30.1" (765mm)	50lbs (22.7Kg)	XB2-6250T2D7	<input type="checkbox"/>	<input type="checkbox"/>				
			600	XB2-6250T2D8	<input type="checkbox"/>	<input type="checkbox"/>			

STANDARD FEATURES

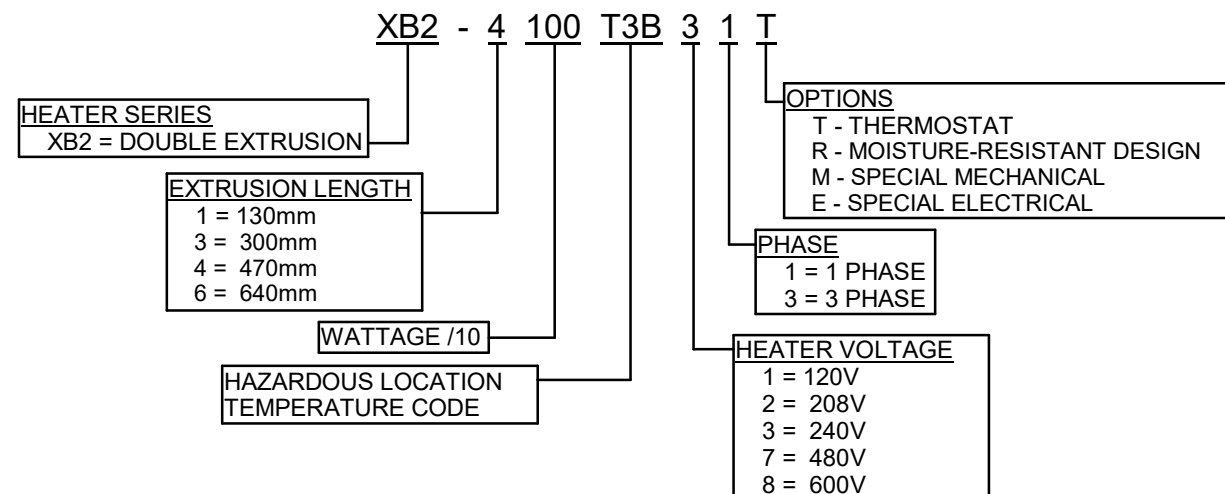
- SUITABLE FOR CLASS I, GROUPS A, B, C & D; SOME MODELS AVAILABLE WITH CLASS I, GROUPS A, B, C & D, CLASS II, GROUPS E, F & D, CLASS III (DEPENDING ON TEMPERATURE CODE).
- SUITABLE FOR TEMPERATURE CODES T2D, T3B, T4A OR T6, DEPENDING ON UNIT SPECIFIED.
- HIGH SURFACE AREA BLACK ANODIZED HEAT EMITTER WITH INTEGRAL TUBULAR HEATING ELEMENTS.
- PATENTED X-MAX HOUSING WITH SLIDE OUT TERMINAL BLOCK TROLLEY SIMPLIFIES INSTALLATION AND SERVICING.
- NICKEL PLATED WIRE GUARDS ON ALL MODELS.
- 304SS UNIVERSAL SUPPORT LEG FOR WALL OR FLOOR MOUNTING.

THERMOSTAT

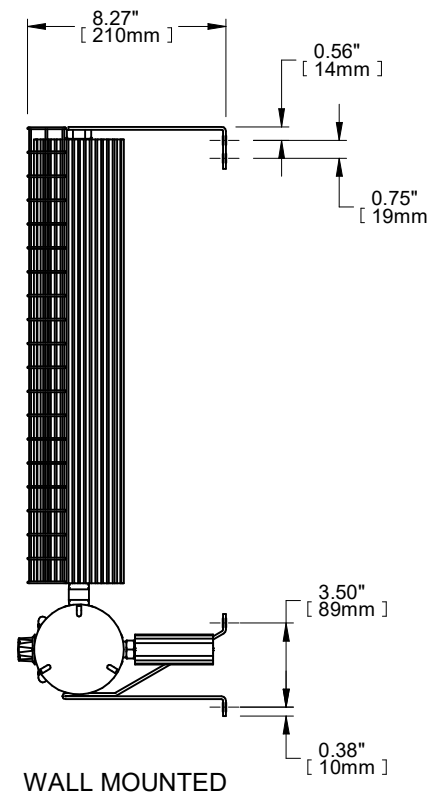
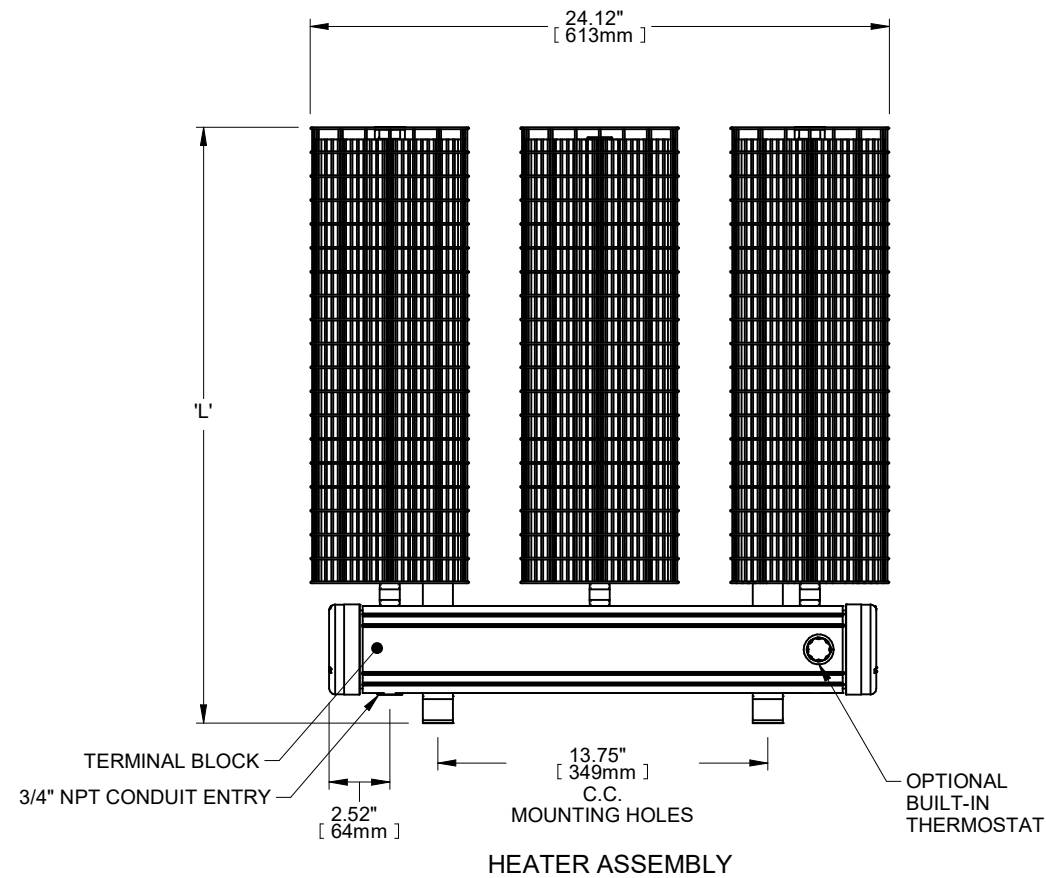
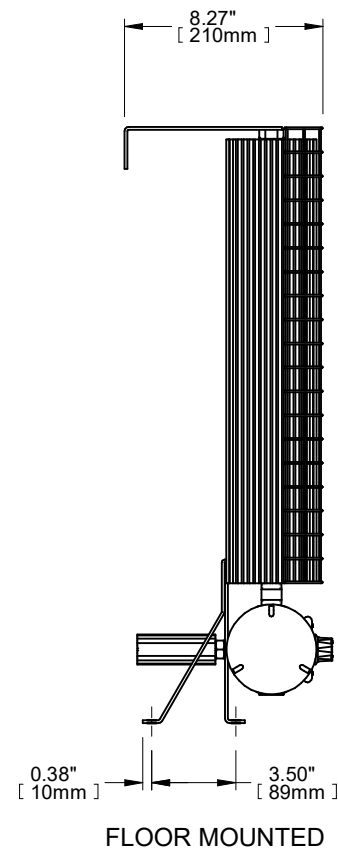
- OPTIONAL BUILT-IN, EXTERNALLY ADJUSTABLE, BULB TYPE THERMOSTAT. FIELD CONVERTIBLE TO TAMPER-PROOF.

OPTIONAL ACCESSORIES (INCLUDED IF CHECKED)

- (A) BUILT-IN, EXTERNALLY ADJUSTABLE THERMOSTAT.
- (B) REMOTE MOUNTING 'XT' MODEL THERMOSTAT.



REV.	REVISION DESCRIPTION	DATE	BY
TITLE: XB2 SERIES HEATER			
DWG NO.: 51949		SHEET: 1 OF 1	
SYTLINE NO.: SEE TABLE		TOLERANCE UNLESS NOTED OTHERWISE	
SCALE: 1:8		± 1/2" ANGULAR	± 0.005" DECIMAL
DRN BY: GMillard		± 1/16" FRACTIONAL	± 1 mm METRIC
CHK'D BY:		20 Apr 2016	
APP'D. BY:			



STANDARD FEATURES

•SUITABLE FOR CLASS I, GROUPS A, B, C & D; SOME MODELS AVAILABLE WITH CLASS I, GROUPS A, B, C & D, CLASS II, GROUPS E, F & D, CLASS III (DEPENDING ON TEMPERATURE CODE).

•SUITABLE FOR TEMPERATURE CODES T2D, T3B, T4A OR T6, DEPENDING ON UNIT SPECIFIED.

•HIGH SURFACE AREA BLACK ANODIZED HEAT EMITTER WITH INTEGRAL TUBULAR HEATING ELEMENTS.

•PATENTED X-MAX HOUSING WITH SLIDE OUT TERMINAL BLOCK TROLLEY SIMPLIFIES ISNTALLATION AND SERVICING.

•NICKEL PLATED WIRE GUARDS ON ALL MODELS.

•304SS UNIVERSAL SUPPORT LEG FOR WALL OR FLOOR MOUNTING.

THERMOSTAT

•OPTIONAL BUILT-IN, EXTERNALLY ADJUSTABLE, BULB TYPE THERMOSTAT. FIELD CONVERTIBLE TO TAMPER-PROOF.

OPTIONAL ACCESSORIES (INCLUDED IF CHECKED)

- (A) BUILT-IN, EXTERNALLY ADJUSTABLE THERMOSTAT.
- (B) REMOTE MOUNTING 'XT' MODEL THERMOSTAT.

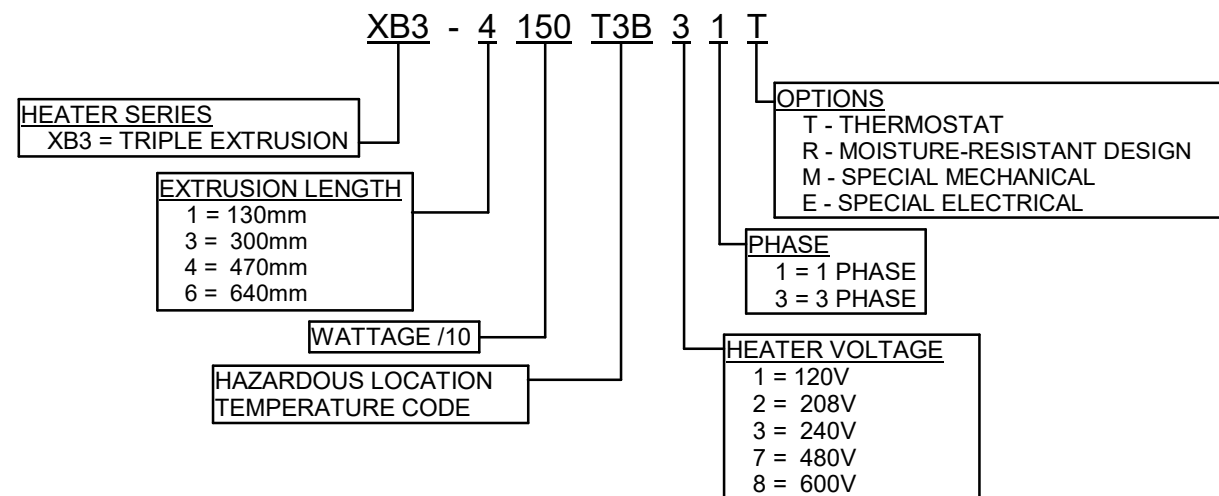


TABLE 1 - SPECIFICATIONS

WATTS	VOLTS	PHASE	'L' DIM.	APPROX WEIGHT	CATALOG No.	BASIC UNIT	WITH THERMOSTAT	
600	120	1 or 3	30.1" (765mm)	75 lbs (34.0Kg)	XB3-6060T61	<input type="checkbox"/>	<input type="checkbox"/>	
	208				XB3-6060T62	<input type="checkbox"/>	<input type="checkbox"/>	
	240				XB3-6060T63	<input type="checkbox"/>	<input type="checkbox"/>	
1000	120	10.0" (254mm)	30 lbs (13.6Kg)	XB3-1100T2D1	<input type="checkbox"/>	<input type="checkbox"/>		
	208	16.7" (424mm)	45 lbs (20.4Kg)	XB3-3100T3B1	<input type="checkbox"/>	<input type="checkbox"/>		
	240			XB3-3100T3B2	<input type="checkbox"/>	<input type="checkbox"/>		
1250	120	10.0" (254mm)	30 lbs (13.6Kg)	XB3-1125T2D1	<input type="checkbox"/>	<input type="checkbox"/>		
	208	30.1" (765mm)	75 lbs (34.0Kg)	XB3-6125T4A1	<input type="checkbox"/>	<input type="checkbox"/>		
	240			XB3-6125T4A2	<input type="checkbox"/>	<input type="checkbox"/>		
	480			XB3-6125T4A3	<input type="checkbox"/>	<input type="checkbox"/>		
	600			XB3-6125T4A7	<input type="checkbox"/>	<input type="checkbox"/>		
600	XB3-6125T4A8			<input type="checkbox"/>	<input type="checkbox"/>			
1500	120	23.4" (594mm)	60 lbs (27.2Kg)	XB3-4150T3B1	<input type="checkbox"/>	<input type="checkbox"/>		
	208			XB3-4150T3B2	<input type="checkbox"/>	<input type="checkbox"/>		
	240			XB3-4150T3B3	<input type="checkbox"/>	<input type="checkbox"/>		
	480			XB3-4150T3B7	<input type="checkbox"/>	<input type="checkbox"/>		
2000	120	16.7" (424mm)	45 lbs (20.4Kg)	XB3-4150T3B8	<input type="checkbox"/>	<input type="checkbox"/>		
	208			XB3-3200T2D1	<input type="checkbox"/>	<input type="checkbox"/>		
	240			XB3-3200T2D2	<input type="checkbox"/>	<input type="checkbox"/>		
	480			XB3-3200T2D3	<input type="checkbox"/>	<input type="checkbox"/>		
2250	120	30.1" (765mm)	75 lbs (34.0Kg)	XB3-6225T3B1	<input type="checkbox"/>	<input type="checkbox"/>		
	208			XB3-6225T3B2	<input type="checkbox"/>	<input type="checkbox"/>		
	240			XB3-6225T3B3	<input type="checkbox"/>	<input type="checkbox"/>		
	480			XB3-6225T3B7	<input type="checkbox"/>	<input type="checkbox"/>		
3000	600	30.1" (765mm)	75 lbs (34.0Kg)	XB3-6225T3B8	<input type="checkbox"/>	<input type="checkbox"/>		
	120			XB3-4300T2D1	<input type="checkbox"/>	<input type="checkbox"/>		
	208			XB3-4300T2D2	<input type="checkbox"/>	<input type="checkbox"/>		
	240			XB3-4300T2D3	<input type="checkbox"/>	<input type="checkbox"/>		
3750	480	23.4" (594mm)	60 lbs (27.2Kg)	XB3-4300T2D7	<input type="checkbox"/>	<input type="checkbox"/>		
	600			XB3-4300T2D8	<input type="checkbox"/>	<input type="checkbox"/>		
	120			30.1" (765mm)	75 lbs (34.0Kg)	XB3-6375T2D1	<input type="checkbox"/>	<input type="checkbox"/>
	208					XB3-6375T2D2	<input type="checkbox"/>	<input type="checkbox"/>
240	XB3-6375T2D3	<input type="checkbox"/>	<input type="checkbox"/>					
480	XB3-6375T2D7	<input type="checkbox"/>	<input type="checkbox"/>					
	600			XB3-6375T2D8	<input type="checkbox"/>	<input type="checkbox"/>		

REV.	REVISION DESCRIPTION	DATE	BY
TITLE: XB3 SERIES HEATER			
DWG NO.: 51950		SHEET: 1 OF 1	
SYTLINE NO.: SEE TABLE		TOLERANCE UNLESS NOTED OTHERWISE	
SCALE: 1:8		± 1/2" ANGULAR	± 0.005" DECIMAL
DRN BY: GMillard		± 1/16" FRACTIONAL	± 1 mm METRIC
CHK'D BY:		18 Apr 2016	
APP'D. BY:			

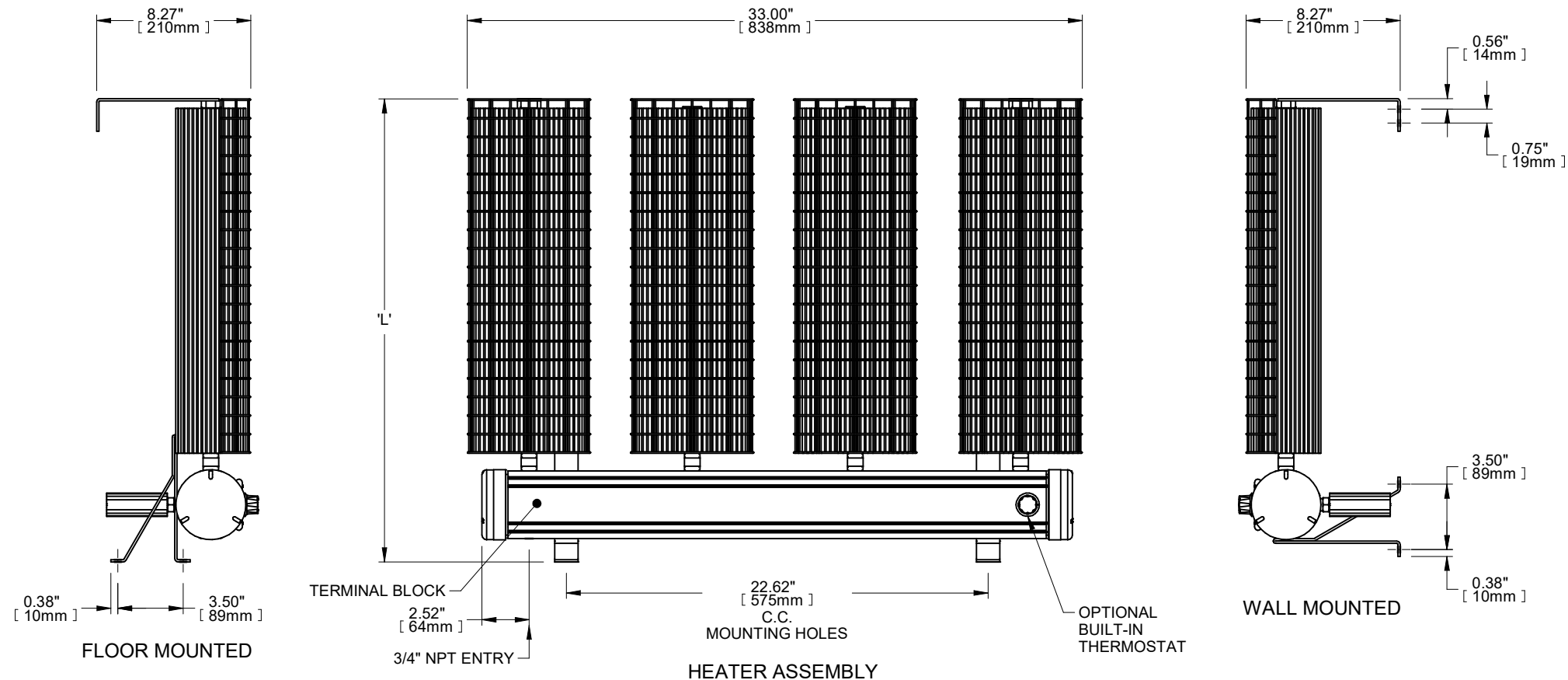


TABLE 1 - SPECIFICATIONS								
WATTS	VOLTS	PHASE	'L' DIM.	APPROX WEIGHT	CATALOG No.	BASIC UNIT	WITH THERMOSTAT	
800	120	1 or 3	30.1" (765mm)	100lbs (45.4Kg)	XB4-6080T61	<input type="checkbox"/>	<input type="checkbox"/>	
	208				XB4-6080T62	<input type="checkbox"/>	<input type="checkbox"/>	
	240				XB4-6080T63	<input type="checkbox"/>	<input type="checkbox"/>	
1500	120		10.0" (254mm)	40lbs (18.1Kg)	XB4-1150T2D1	<input type="checkbox"/>	<input type="checkbox"/>	
	208		30.1" (765mm)		100lbs (45.4Kg)	XB4-6160T4A1	<input type="checkbox"/>	<input type="checkbox"/>
	240				XB4-6160T4A2	<input type="checkbox"/>	<input type="checkbox"/>	
480	XB4-6160T4A3			<input type="checkbox"/>	<input type="checkbox"/>			
1600	480		30.1" (765mm)	100lbs (45.4Kg)	XB4-6160T4A7	<input type="checkbox"/>	<input type="checkbox"/>	
	600				XB4-6160T4A8	<input type="checkbox"/>	<input type="checkbox"/>	
	120				23.4" (594mm)	80lbs (36.3Kg)	XB4-4225T3B1	<input type="checkbox"/>
208	XB4-4225T3B2		<input type="checkbox"/>	<input type="checkbox"/>				
240	XB4-4225T3B3		<input type="checkbox"/>	<input type="checkbox"/>				
2250	120	16.7" (424mm)	60lbs (27.2Kg)	XB4-3250T2D1	<input type="checkbox"/>	<input type="checkbox"/>		
	208			XB4-3250T2D2	<input type="checkbox"/>	<input type="checkbox"/>		
	240			XB4-3250T2D3	<input type="checkbox"/>	<input type="checkbox"/>		
2500	480	16.7" (424mm)	60lbs (27.2Kg)	XB4-3250T2D7	<input type="checkbox"/>	<input type="checkbox"/>		
	600			XB4-3250T2D8	<input type="checkbox"/>	<input type="checkbox"/>		
	120			30.1" (765mm)	100lbs (45.4Kg)	XB4-6300T3B1	<input type="checkbox"/>	<input type="checkbox"/>
208	XB4-6300T3B2	<input type="checkbox"/>	<input type="checkbox"/>					
240	XB4-6300T3B3	<input type="checkbox"/>	<input type="checkbox"/>					
3000	480	30.1" (765mm)	100lbs (45.4Kg)	XB4-6300T3B7	<input type="checkbox"/>	<input type="checkbox"/>		
	600			XB4-6300T3B8	<input type="checkbox"/>	<input type="checkbox"/>		
	120			23.4" (594mm)	80lbs (36.3Kg)	XB4-4375T2D1	<input type="checkbox"/>	<input type="checkbox"/>
208	XB4-4375T2D2	<input type="checkbox"/>	<input type="checkbox"/>					
240	XB4-4375T2D3	<input type="checkbox"/>	<input type="checkbox"/>					
3750	480	23.4" (594mm)	80lbs (36.3Kg)	XB4-4375T2D7	<input type="checkbox"/>	<input type="checkbox"/>		
	600			XB4-4375T2D8	<input type="checkbox"/>	<input type="checkbox"/>		
	208			30.1" (765mm)	100lbs (45.4Kg)	XB4-6450T2D2	<input type="checkbox"/>	<input type="checkbox"/>
240	XB4-6450T2D3	<input type="checkbox"/>	<input type="checkbox"/>					
480	XB4-6450T2D7	<input type="checkbox"/>	<input type="checkbox"/>					
4500	600	30.1" (765mm)	100lbs (45.4Kg)	XB4-6450T2D8	<input type="checkbox"/>	<input type="checkbox"/>		
	208			XB4-6500T2D2	<input type="checkbox"/>	<input type="checkbox"/>		
	240			XB4-6500T2D3	<input type="checkbox"/>	<input type="checkbox"/>		
5000	480	30.1" (765mm)	100lbs (45.4Kg)	XB4-6500T2D7	<input type="checkbox"/>	<input type="checkbox"/>		
	600			XB4-6500T2D8	<input type="checkbox"/>	<input type="checkbox"/>		

STANDARD FEATURES

•SUITABLE FOR CLASS I, GROUPS A, B, C & D; SOME MODELS AVAILABLE WITH CLASS I, GROUPS A, B, C & D, CLASS II, GROUPS E, F & D, CLASS III (DEPENDING ON TEMPERATURE CODE).

•SUITABLE FOR TEMPERATURE CODES T2D, T3B, T4A OR T6, DEPENDING ON UNIT SPECIFIED.

•HIGH SURFACE AREA BLACK ANODIZED HEAT EMITTER WITH INTEGRAL TUBULAR HEATING ELEMENTS.

•PATENTED X-MAX HOUSING WITH SLIDE OUT TERMINAL BLOCK TROLLEY SIMPLIFIES INSTALLATION AND SERVICING.

•NICKEL PLATED WIRE GUARDS ON ALL MODELS.

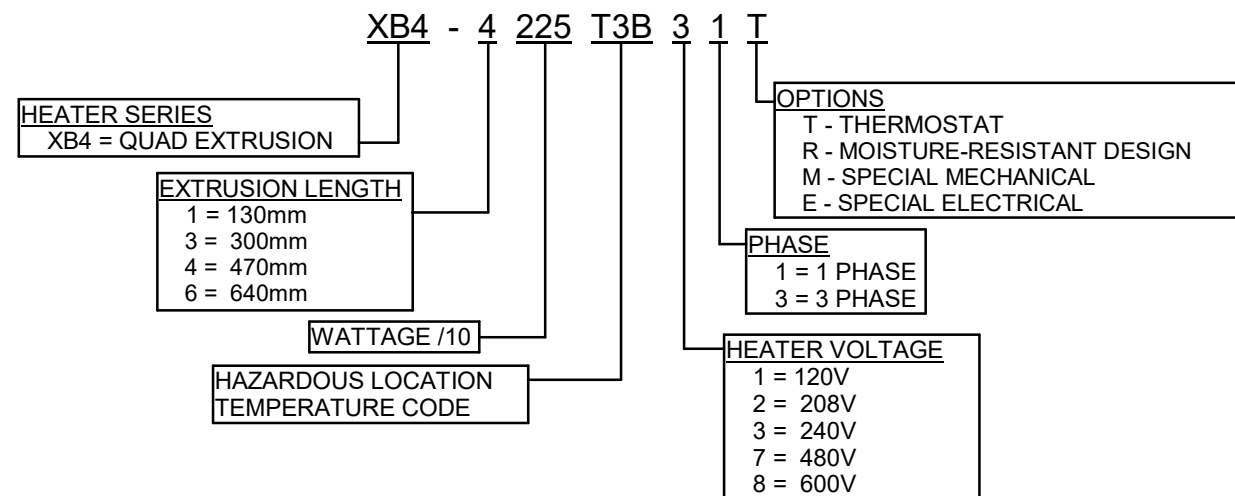
•304SS UNIVERSAL SUPPORT LEG FOR WALL OR FLOOR MOUNTING.

THERMOSTAT

•OPTIONAL BUILT-IN, EXTERNALLY ADJUSTABLE, BULB TYPE THERMOSTAT. FIELD CONVERTIBLE TO TAMPER-PROOF.

OPTIONAL ACCESSORIES (INCLUDED IF CHECKED)

- (A) BUILT-IN, EXTERNALLY ADJUSTABLE THERMOSTAT.
- (B) REMOTE MOUNTING 'XT' MODEL THERMOSTAT.



REV.	REVISION DESCRIPTION	DATE	BY
TITLE: XB4 SERIES HEATER			
DWG NO.: 51951		SHEET: 1 OF 1	
SYTELINE NO.: SEE TABLE		TOLERANCE UNLESS NOTED OTHERWISE	
SCALE: 1:8		± 1/2" ANGULAR	± 0.005" DECIMAL
DRN BY: GMillard		± 1/16" FRACTIONAL	± 1 mm METRIC
CHK'D BY:		20 Apr 2016	
APPD. BY:			