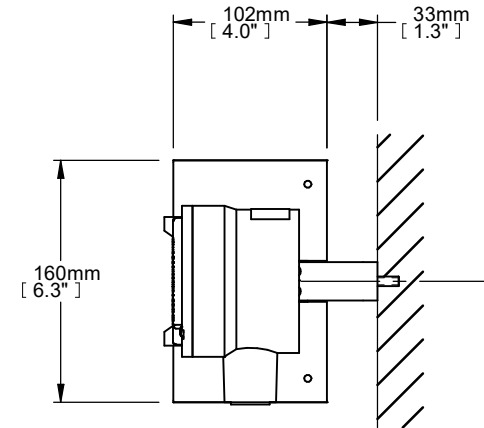


HORIZONTAL MOUNTED



SIDE MOUNTED

TABLE 1 - SPECIFICATIONS FOR XPAL									
WATTS (W)	VOLTS (V)	PHASE	AMP DRAW (A)	TEMPERATURE CODE INFORMATION				APPROX. WEIGHT KG (LBS)	CATALOG NO.
				T2D	T3	T3B/T3C	T4		
100	120	1	0.8	✓	✓	✓	✓	5.9 (12.8)	XPAL-100
	208	1	0.5	✓	✓	✓	✓	5.9 (12.8)	
	240	1	0.4	✓	✓	✓	✓	5.9 (12.8)	
150	120	1	1.3	✓	✓	✓	✓	5.9 (12.8)	XPAL-150
	208	1	0.7	✓	✓	✓	✓	5.9 (12.8)	
	240	1	0.6	✓	✓	✓	✓	5.9 (12.8)	
200	120	1	1.7	✓	✓	✓	✓	5.9 (12.8)	XPAL-200
	208	1	1.0	✓	✓	✓	✓	5.9 (12.8)	
	240	1	0.8	✓	✓	✓	✓	5.9 (12.8)	
250	120	1	2.1	✓	✓	✓	H	5.9 (12.8)	XPAL-250
	208	1	1.2	✓	✓	✓	H	5.9 (12.8)	
	240	1	1.0	✓	✓	✓	H	5.9 (12.8)	
300	120	1	2.5	✓	✓	✓	-	5.9 (12.8)	XPAL-300
	208	1	1.4	✓	✓	✓	-	5.9 (12.8)	
	240	1	1.3	✓	✓	✓	-	5.9 (12.8)	
400	120	1	3.3	✓	✓	H	-	5.9 (12.8)	XPAL-400
	208	1	1.9	✓	✓	H	-	5.9 (12.8)	
	240	1	1.7	✓	✓	H	-	5.9 (12.8)	
500	120	1	4.2	✓	✓	-	-	5.9 (12.8)	XPAL-500
	208	1	2.4	✓	✓	-	-	5.9 (12.8)	
	240	1	2.1	✓	✓	-	-	5.9 (12.8)	
600	120	1	5.0	✓	H	-	-	5.9 (12.8)	XPAL-600
	208	1	2.9	✓	H	-	-	5.9 (12.8)	
	240	1	2.5	✓	H	-	-	5.9 (12.8)	
700	120	1	5.8	H	-	-	-	5.9 (12.8)	XPAL-700
	208	1	3.4	H	-	-	-	5.9 (12.8)	
	240	1	2.9	H	-	-	-	5.9 (12.8)	

H - FOR HORIZONTAL MOUNTING ONLY

XPA L - 100 T2D 120 - 4 10 G

G- WIRE GUARD OPTION

FIXED THERMOSTAT

- 0 = 0°C ON/ 8°C OFF
- 10 = 10°C ON/ 18°C OFF
- 20 = 20°C ON/ 28°C OFF
- 30 = 30°C ON/ 38°C OFF
- XX = SPECIAL RANGE

TERMINAL ENCLOSURE

- 1 = XTWA
- 2 = XT-311
- 3 = XT-411
- 4 = XJB-4

VOLTAGE (120 V, 208 V or 240 V)

TEMPERATURE CODE (T2D, T3, T3B, T3C or T4)

WATTAGE (100, 150...700 W)

CONVECTOR LENGTH

L = 229 mm

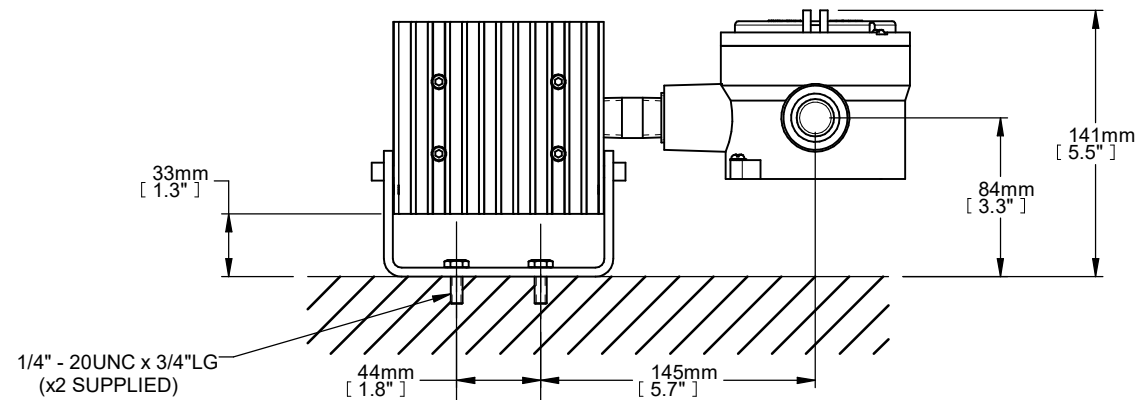
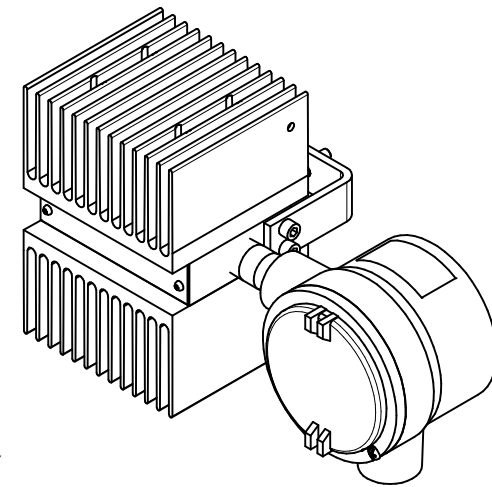
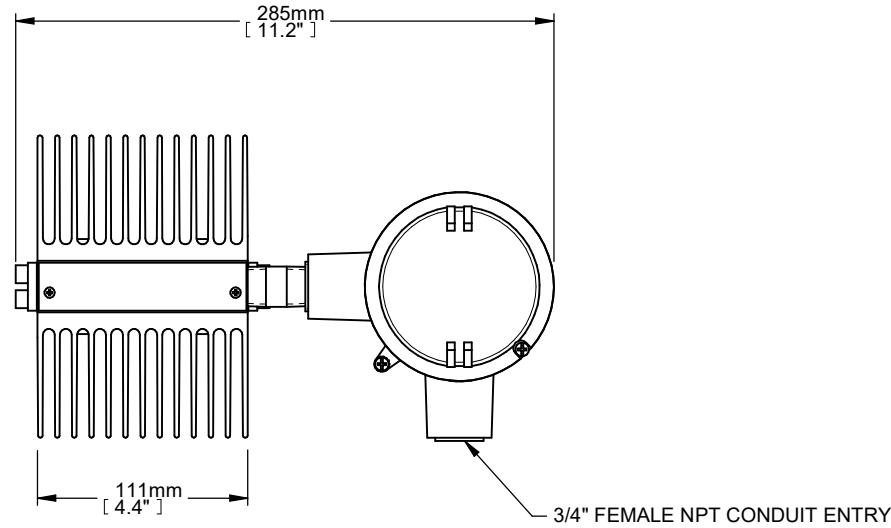
EXPLOSION RESISTANT CONVECTION HEATER
XPA - PANELS AND SMALL ENCLOSURES

STANDARD FEATURES

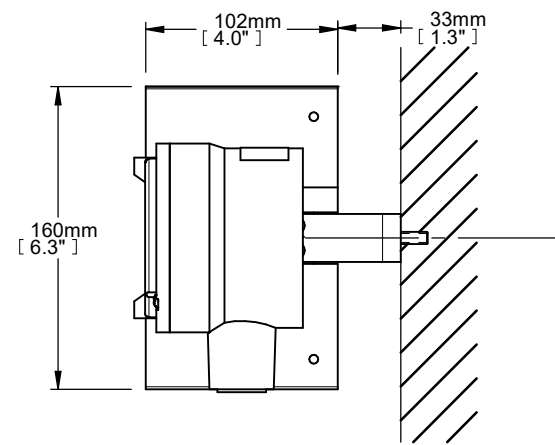
- CSA C/US certified for use in Canada and the U.S.A. for Class I, Division 1, Groups A, B, C, D hazardous locations
- ATEX/IECEX/EAC certified for Zone 1&2, Ex d IIC hazardous locations
- Suitable for temperature code T2D, T3, T3B, T3C or T4 (depending on unit specified)
- High surface area black anodized heat emitter with integral cartridge heating element
- Universal support bracket for horizontal and side mounting
- Fixed thermostat with pre-set temperature points for XJB-4 units
- Moisture resistant - CSA Type 4 and IP66 rated for XJB-4 junction box
- Side conduit entry

1	ADDED ATEX/IECEX/EAC CERTIFICATION	30 NOV 2015	LB
0	APPROVAL DRAWING - CUSTOMER RELEASE	24 NOV 11	LB
REV.	REVISION DESCRIPTION	DATE	BY
TITLE: XPA, LONG, EXPLOSION-PROOF PANEL HEATER C/W XJB-4 JUNCTION BOX			
DWG NO.: 51369	SHEET: 1 OF 1	TOLERANCE UNLESS NOTED OTHERWISE	
SYTLINE NO.: 11782		± 3 mm	METRIC
SCALE: 1:5			
DRN BY: lbrauer	28 Nov 2011		
CHK'D BY: CF			
APPD. BY:			



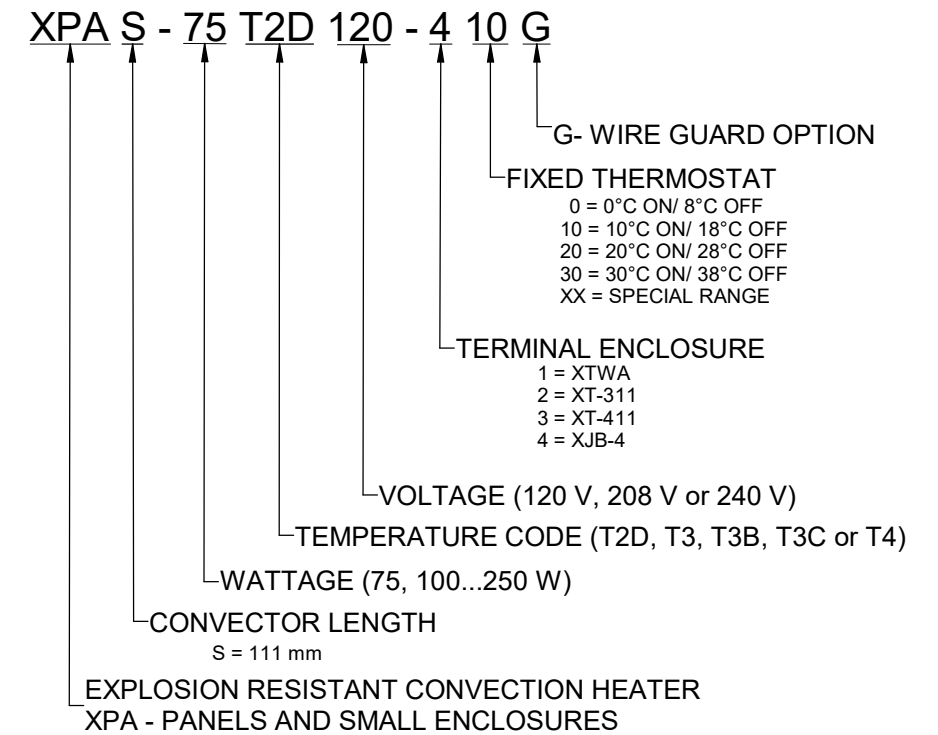


HORIZONTAL MOUNTED



SIDE MOUNTED

WATTS (W)	VOLTS (V)	PHASE	AMP DRAW (A)	TEMPERATURE CODE INFORMATION				APPROX. WEIGHT KG (LBS)	CATALOG NO.
				T2D	T3	T3B/T3C	T4		
75	120	1	0.6	✓	✓	✓	✓	3.4 (7.4)	XPAS-075
	208	1	0.4	✓	✓	✓	✓	3.4 (7.4)	
	240	1	0.3	✓	✓	✓	✓	3.4 (7.4)	
100	120	1	0.8	✓	✓	✓	-	3.4 (7.4)	XPAS-100
	208	1	0.5	✓	✓	✓	-	3.4 (7.4)	
	240	1	0.4	✓	✓	✓	-	3.4 (7.4)	
125	120	1	1.0	✓	✓	✓	-	3.4 (7.4)	XPAS-125
	208	1	0.6	✓	✓	✓	-	3.4 (7.4)	
	240	1	0.5	✓	✓	✓	-	3.4 (7.4)	
150	120	1	1.3	✓	✓	-	-	3.4 (7.4)	XPAS-150
	208	1	0.7	✓	✓	-	-	3.4 (7.4)	
	240	1	0.6	✓	✓	-	-	3.4 (7.4)	
200	120	1	1.7	✓	✓	-	-	3.4 (7.4)	XPAS-200
	208	1	1.0	✓	✓	-	-	3.4 (7.4)	
	240	1	0.8	✓	✓	-	-	3.4 (7.4)	
250	120	1	2.1	✓	-	-	-	3.4 (7.4)	XPAS-250
	208	1	1.2	✓	-	-	-	3.4 (7.4)	
	240	1	1.0	✓	-	-	-	3.4 (7.4)	

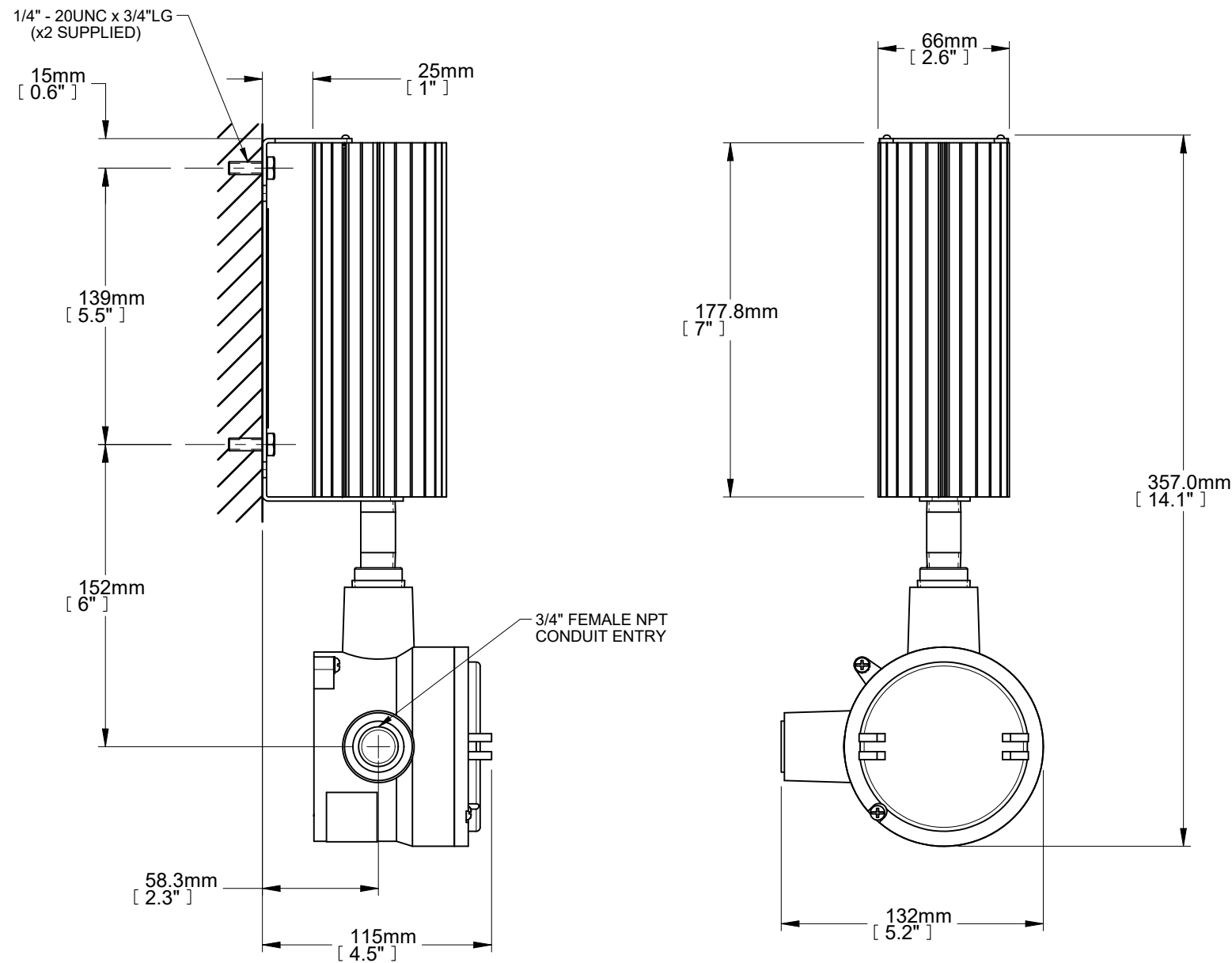


STANDARD FEATURES

- CSA C/US certified for use in Canada and the U.S.A. for Class I, Division 1, Groups A, B, C, D hazardous locations
- ATEX/IECEX/EAC certified for Zone 1&2, Ex d IIC hazardous locations
- Suitable for temperature code T2D, T3, T3B, T3C or T4 (depending on unit specified)
- High surface area black anodized heat emitter with integral cartridge heating element
- Universal support bracket for horizontal and side mounting
- Fixed thermostat with pre-set temperature points for XJB-4 units
- Moisture resistant - CSA Type 4 and IP66 rated for XJB-4 junction box
- Side conduit entry

△	ADDED ATEX/IECEX/EAC CERTIFICATION	30 NOV 2015	LB
0	APPROVAL DRAWING - CUSTOMER RELEASE	24 NOV 11	LB
REV.	REVISION DESCRIPTION	DATE	BY
TITLE: XPA, SHORT, EXPLOSION-PROOF PANEL HEATER C/W XJB-4 JUNCTION BOX			
DWG NO.: 51376-B	SHEET: 1 OF 1	TOLERANCE UNLESS NOTED OTHERWISE	
SYTLINE NO.: N/A		± 3 mm	METRIC
SCALE: 1:4			
DRN BY: lbrauer	08 Dec 2011		
CHK'D BY: CF			
APPD. BY:			



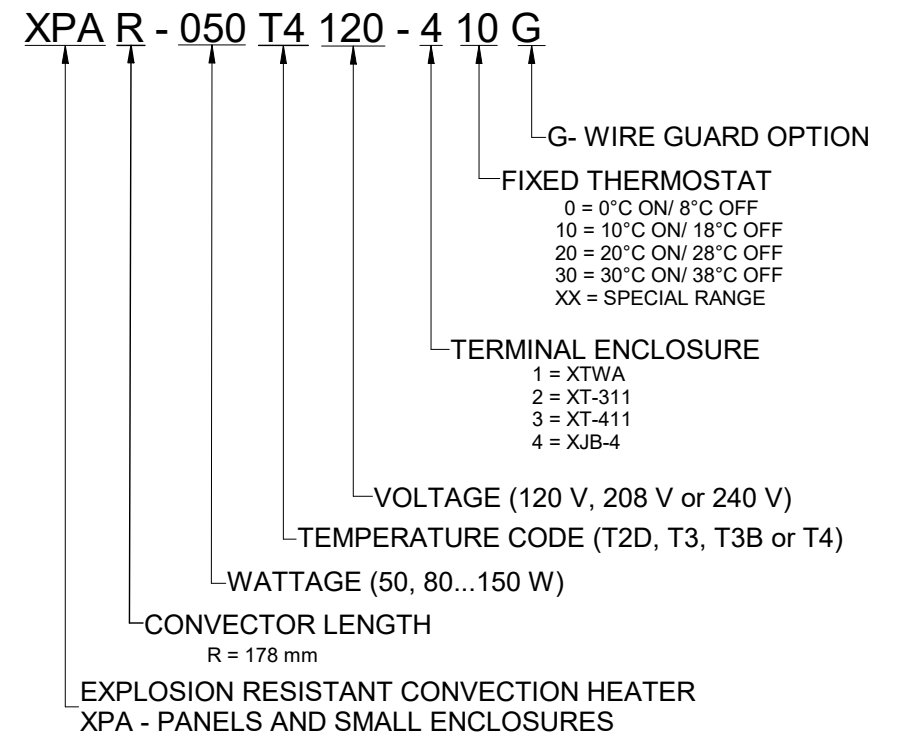


STANDARD FEATURES

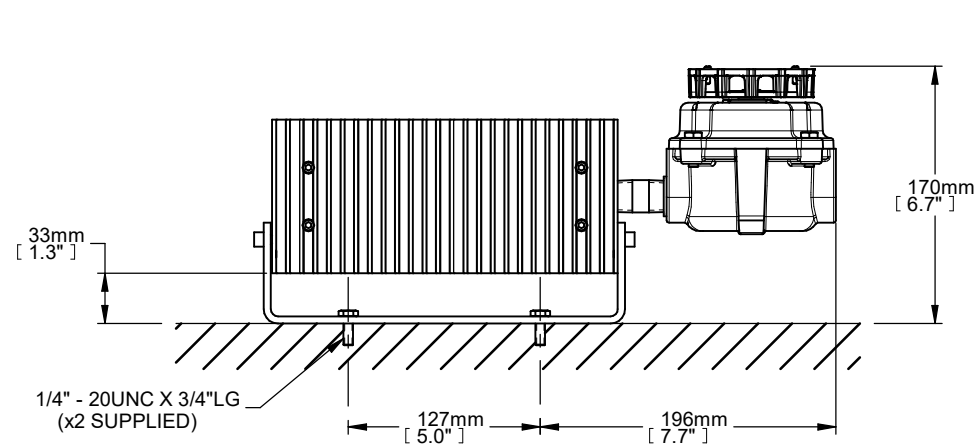
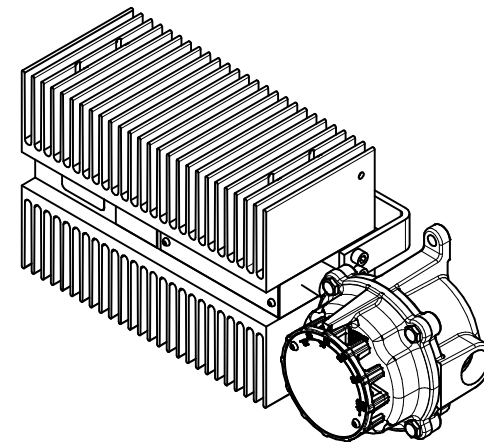
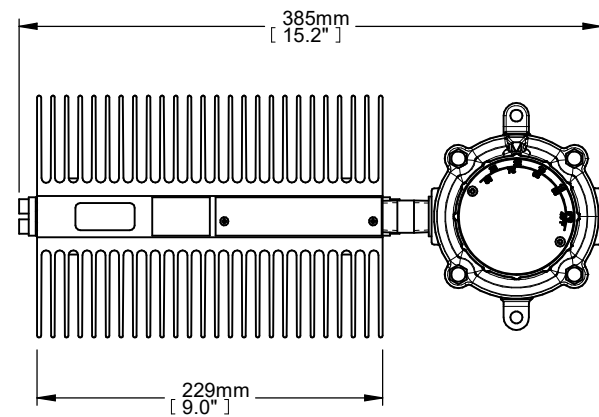
- CSA C/US certified for use in Canada and the U.S.A. for Class I, Division 1, Groups A, B, C, D hazardous locations
- ATEX/IECEX/EAC certified for Zone 1&2, Ex d IIC hazardous locations
- Suitable for temperature code T2D, T3, T3B or T4 (depending on unit specified)
- High surface area black anodized heat emitter with integral cartridge heating element
- Universal support bracket for vertical mounting only
- Fixed thermostat with pre-set temperature points for XJB-4 units
- Moisture resistant - CSA Type 4 and IP66 rated for XJB-4 junction box
- Side conduit entry

TABLE 1 - SPECIFICATIONS FOR XPAR									
WATTS (W)	VOLTS (V)	PHASE	AMP DRAW (A)	TEMPERATURE CODE INFORMATION				CATALOG NO.	
				T2D	T3	T3B	T4		
50	120	1	0.4	✓	✓	✓	✓	1.7 (3.8)	XPAR-050
	208	1	0.2	✓	✓	✓	✓	1.7 (3.8)	
	240	1	0.2	✓	✓	✓	✓	1.7 (3.8)	
80	120	1	0.7	✓	✓	✓	-	1.7 (3.8)	XPAR-080
	208	1	0.4	✓	✓	✓	-	1.7 (3.8)	
	240	1	0.3	✓	✓	✓	-	1.7 (3.8)	
125	120	1	1.0	✓	✓	-	-	1.7 (3.8)	XPAR-125
	208	1	0.6	✓	✓	-	-	1.7 (3.8)	
	240	1	0.5	✓	✓	-	-	1.7 (3.8)	
150	120	1	1.3	✓	-	-	-	1.7 (3.8)	XPAR-150
	208	1	0.7	✓	-	-	-	1.7 (3.8)	
	240	1	0.6	✓	-	-	-	1.7 (3.8)	

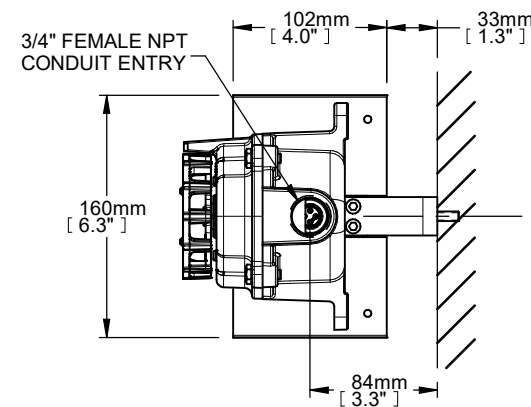
NOTE: FOR VERTICAL MOUNTING ONLY



2	XJB-7 OPTION REMOVED.	31 JAN 2018	NJS
1	ADDED ATEX/IECEX/EAC CERTIFICATION	30 NOV 2015	LB
0	APPROVAL DRAWING - CUSTOMER RELEASE	05 OCT 2012	LB
REV.	REVISION DESCRIPTION	DATE	BY
TITLE: XPA R, EXPLOSION PROOF PANEL HEATER C/W XJB-4 JUNCTION BOX			
DWG NO.: 51444-B SHEET: 1 OF 1		TOLERANCE UNLESS NOTED OTHERWISE	
SYTLINE NO.: N/A		± 0.120" DECIMAL	± 3 mm METRIC
SCALE: 1:3			
DRN BY: lbrauer	05 Oct 2012		
CHK'D BY: CF			
APP'D. BY:			



HORIZONTAL MOUNTED

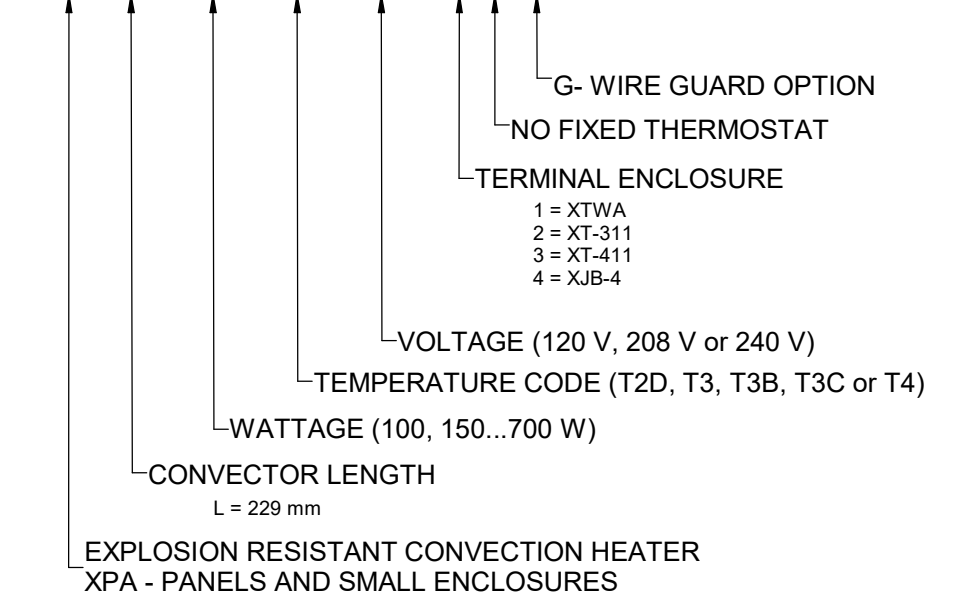


SIDE MOUNTED

TABLE 1 - SPECIFICATIONS FOR XPAL									
WATTS (W)	VOLTS (V)	PHASE	AMP DRAW (A)	TEMPERATURE CODE INFORMATION				APPROX. WEIGHT KG (LBS)	CATALOG NO.
				T2D	T3	T3B/T3C	T4		
100	120	1	0.8	✓	✓	✓	✓	5.9 (12.8)	XPAL-100
	208	1	0.5	✓	✓	✓	✓	5.9 (12.8)	
	240	1	0.4	✓	✓	✓	✓	5.9 (12.8)	
150	120	1	1.3	✓	✓	✓	✓	5.9 (12.8)	XPAL-150
	208	1	0.7	✓	✓	✓	✓	5.9 (12.8)	
	240	1	0.6	✓	✓	✓	✓	5.9 (12.8)	
200	120	1	1.7	✓	✓	✓	✓	5.9 (12.8)	XPAL-200
	208	1	1.0	✓	✓	✓	✓	5.9 (12.8)	
	240	1	0.8	✓	✓	✓	✓	5.9 (12.8)	
250	120	1	2.1	✓	✓	✓	H	5.9 (12.8)	XPAL-250
	208	1	1.2	✓	✓	✓	H	5.9 (12.8)	
	240	1	1.0	✓	✓	✓	H	5.9 (12.8)	
300	120	1	2.5	✓	✓	✓	-	5.9 (12.8)	XPAL-300
	208	1	1.4	✓	✓	✓	-	5.9 (12.8)	
	240	1	1.3	✓	✓	✓	-	5.9 (12.8)	
400	120	1	3.3	✓	✓	H	-	5.9 (12.8)	XPAL-400
	208	1	1.9	✓	✓	H	-	5.9 (12.8)	
	240	1	1.7	✓	✓	H	-	5.9 (12.8)	
500	120	1	4.2	✓	✓	-	-	5.9 (12.8)	XPAL-500
	208	1	2.4	✓	✓	-	-	5.9 (12.8)	
	240	1	2.1	✓	✓	-	-	5.9 (12.8)	
600	120	1	5.0	✓	H	-	-	5.9 (12.8)	XPAL-600
	208	1	2.9	✓	H	-	-	5.9 (12.8)	
	240	1	2.5	✓	H	-	-	5.9 (12.8)	
700	120	1	5.8	H	-	-	-	5.9 (12.8)	XPAL-700
	208	1	3.4	H	-	-	-	5.9 (12.8)	
	240	1	2.9	H	-	-	-	5.9 (12.8)	

H - FOR HORIZONTAL MOUNTING ONLY

XPA L - 100 T2D 120 - 2 N G

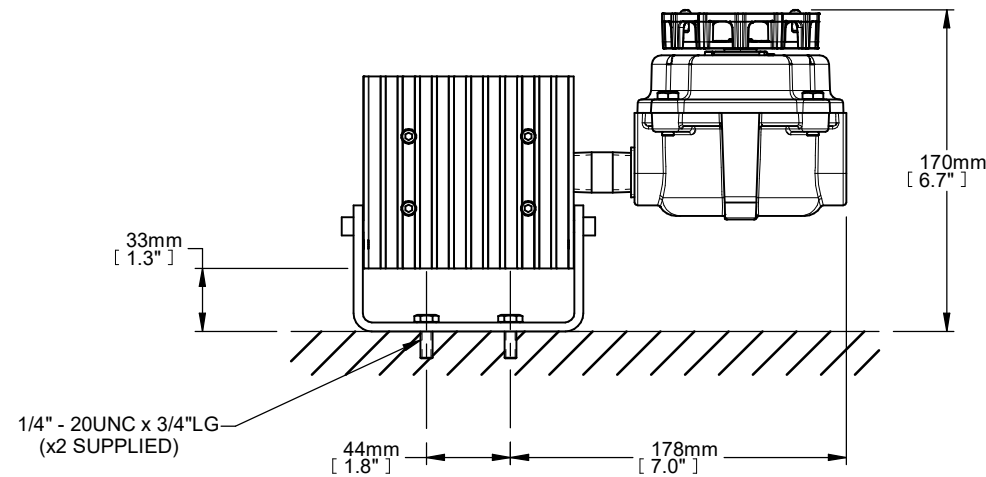
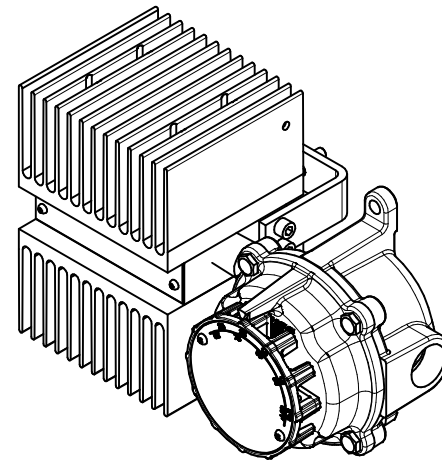
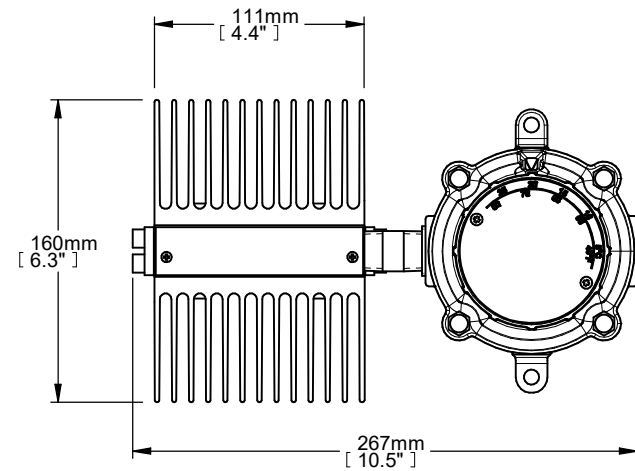


STANDARD FEATURES

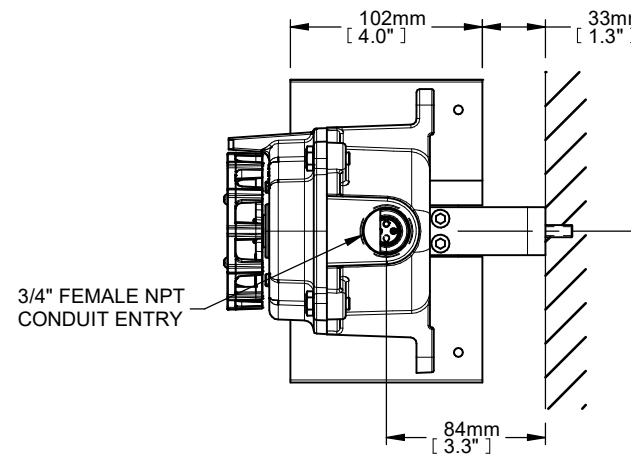
- CSA C/US certified for use in Canada and the U.S.A. for Class I, Division 1, Groups C, D hazardous locations
- ATEX/IECEX/EAC certified for Zone 1&2, Ex d IIB hazardous locations
- Suitable for temperature code T2D, T3, T3B, T3C or T4 (depending on unit specified)
- High surface area black anodized heat emitter with integral cartridge heating element
- Universal support bracket for horizontal and side mounting
- Adjustable Thermostat with temperature range of 2°C to 28°C for XT-311 units
- Small bandwidth for accurate temperature adjustments

△	ADDED ATEX/IECEX/EAC CERTIFICATION	30 NOV 2015	LB
0	APPROVAL DRAWING - CUSTOMER RELEASE	24 NOV 11	LB
REV.	REVISION DESCRIPTION	DATE	BY
TITLE: XPA, LONG, EXPLOSION-PROOF PANEL HEATER C/W XT-311 JUNCTION BOX			
DWG NO.: 51374	SHEET: 1 OF 1	TOLERANCE UNLESS NOTED OTHERWISE	
SYTLINE NO.: 11782		± 3 mm	METRIC
SCALE: 1:5			
DRN BY: lbrauer	08 Dec 2011		
CHK'D BY: CF			
APPD. BY:			





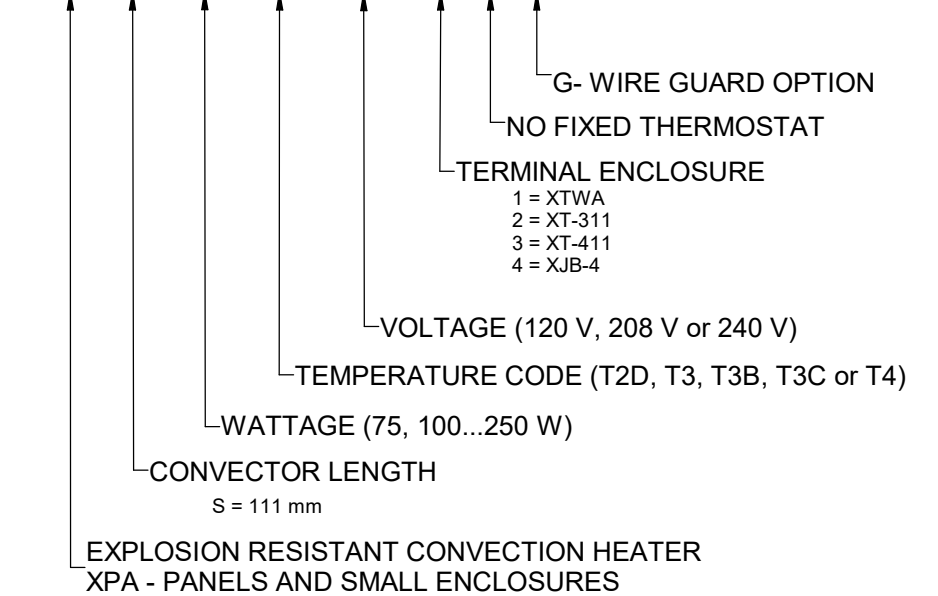
HORIZONTAL MOUNTED



SIDE MOUNTED

WATTS (W)	VOLTS (V)	PHASE	AMP DRAW (A)	TEMPERATURE CODE INFORMATION				APPROX. WEIGHT KG (LBS)	CATALOG NO.
				T2D	T3	T3B/T3C	T4		
75	120	1	0.6	✓	✓	✓	✓	3.4 (7.4)	XPAS-075
	208	1	0.4	✓	✓	✓	✓	3.4 (7.4)	
	240	1	0.3	✓	✓	✓	✓	3.4 (7.4)	
100	120	1	0.8	✓	✓	✓	-	3.4 (7.4)	XPAS-100
	208	1	0.5	✓	✓	✓	-	3.4 (7.4)	
	240	1	0.4	✓	✓	✓	-	3.4 (7.4)	
125	120	1	1.0	✓	✓	✓	-	3.4 (7.4)	XPAS-125
	208	1	0.6	✓	✓	✓	-	3.4 (7.4)	
	240	1	0.5	✓	✓	✓	-	3.4 (7.4)	
150	120	1	1.3	✓	✓	-	-	3.4 (7.4)	XPAS-150
	208	1	0.7	✓	✓	-	-	3.4 (7.4)	
	240	1	0.6	✓	✓	-	-	3.4 (7.4)	
200	120	1	1.7	✓	✓	-	-	3.4 (7.4)	XPAS-200
	208	1	1.0	✓	✓	-	-	3.4 (7.4)	
	240	1	0.8	✓	✓	-	-	3.4 (7.4)	
250	120	1	2.1	✓	-	-	-	3.4 (7.4)	XPAS-250
	208	1	1.2	✓	-	-	-	3.4 (7.4)	
	240	1	1.0	✓	-	-	-	3.4 (7.4)	

XPA S - 75 T2D 120 - 2 N G

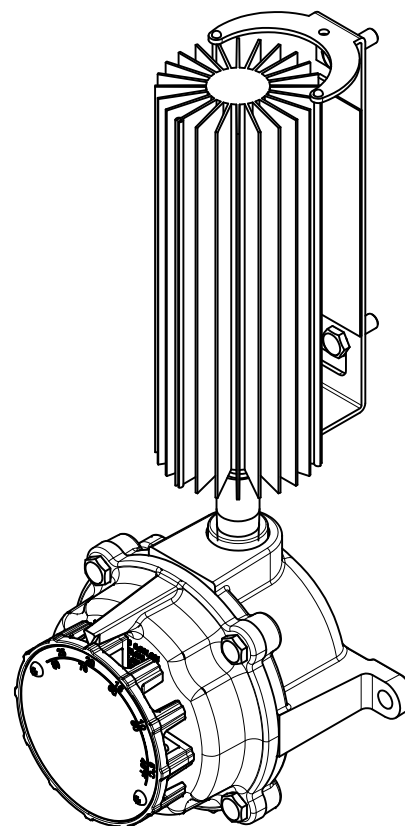
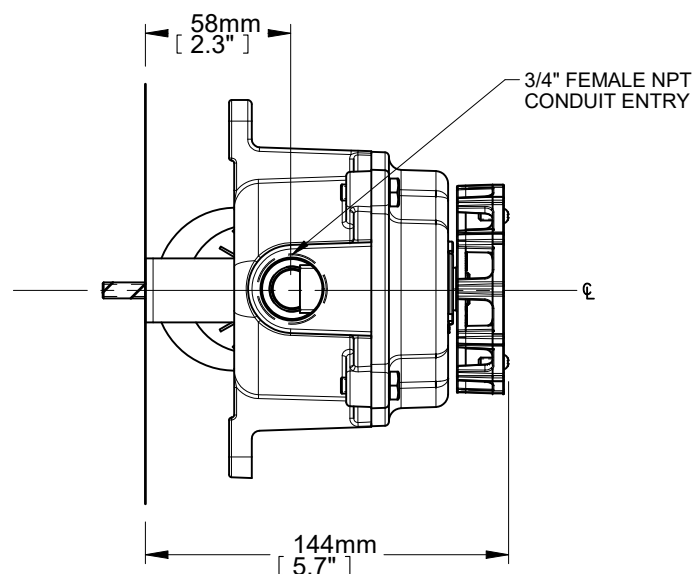
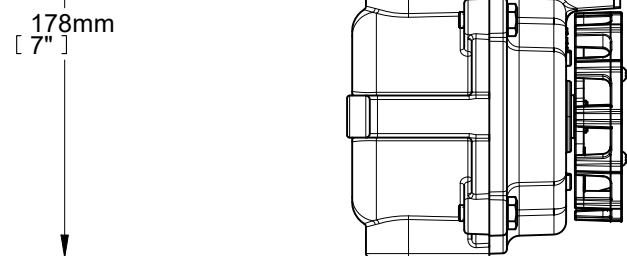
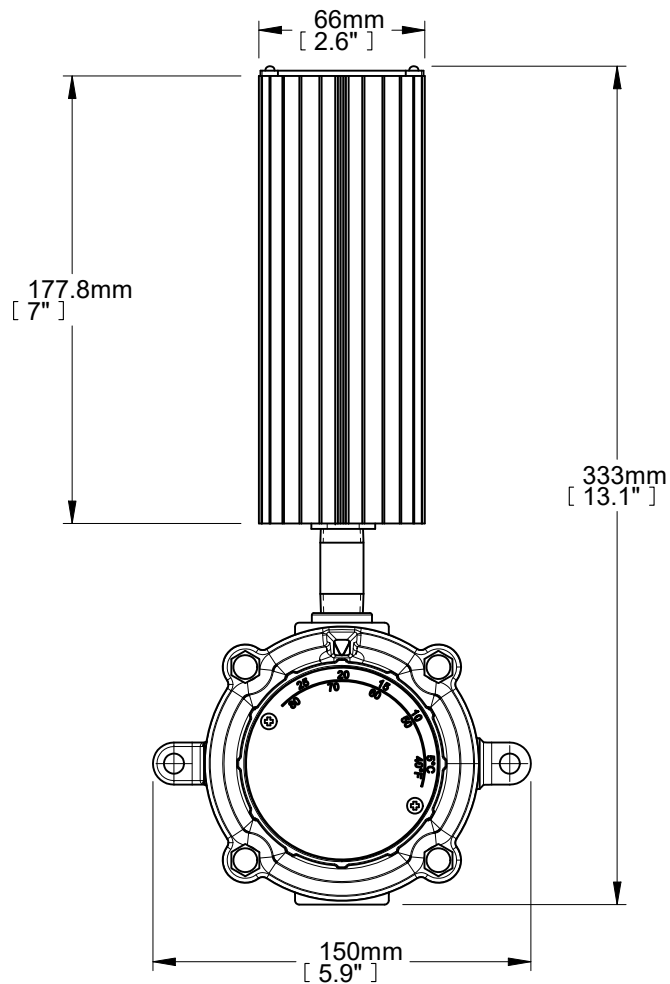
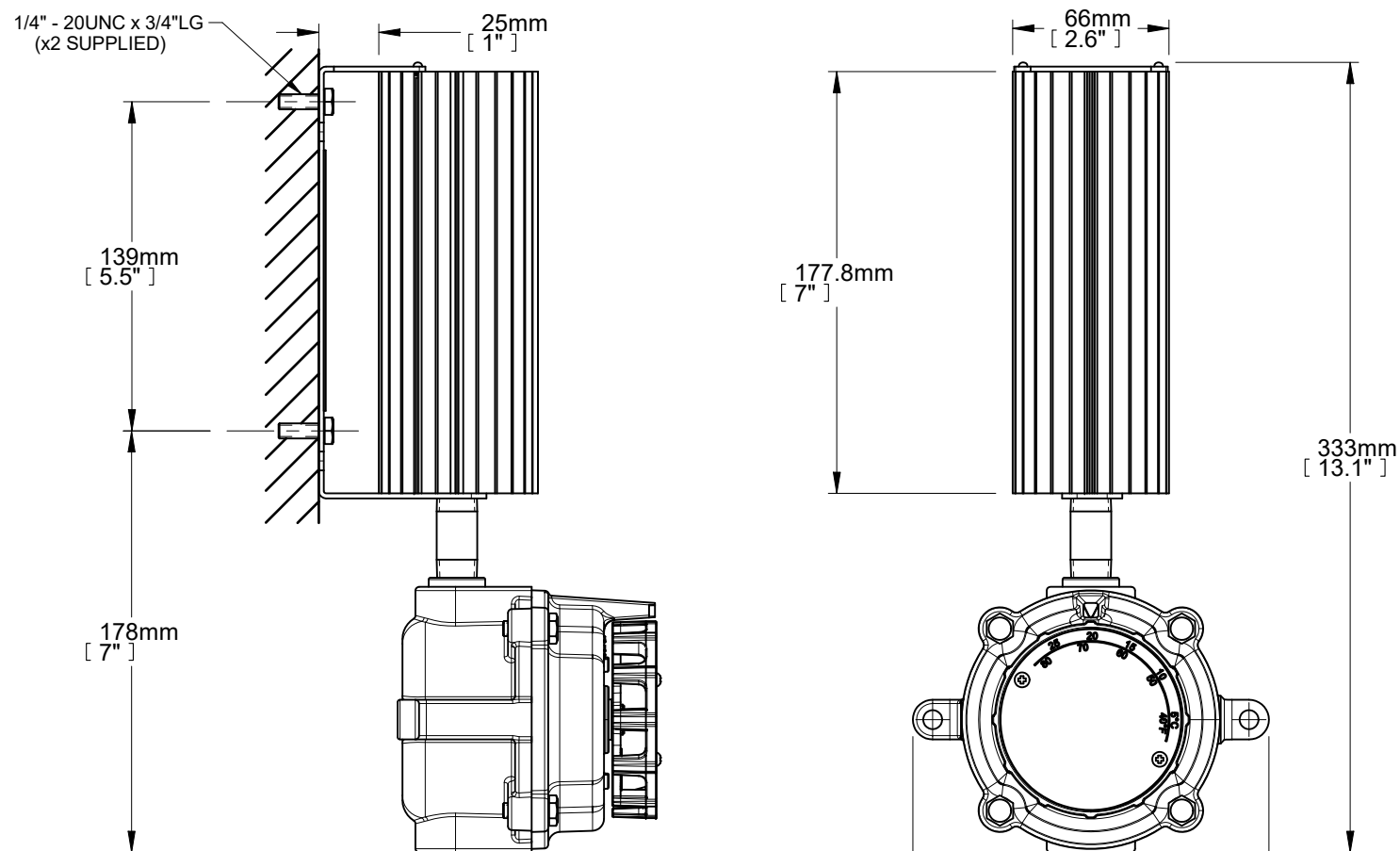


STANDARD FEATURES

- CSA C/US certified for use in Canada and the U.S.A. for Class I, Division 1, Groups C, D hazardous locations
- ATEX/IECEX/EAC certified for Zone 1&2, Ex d IIB hazardous locations
- Suitable for temperature code T2D, T3, T3B, T3C or T4 (depending on unit specified)
- High surface area black anodized heat emitter with integral cartridge heating element
- Universal support bracket for horizontal and side mounting
- Adjustable thermostat with temperature range of 2°C to 28°C for XT-311 units
- Small bandwidth for accurate temperature adjustments

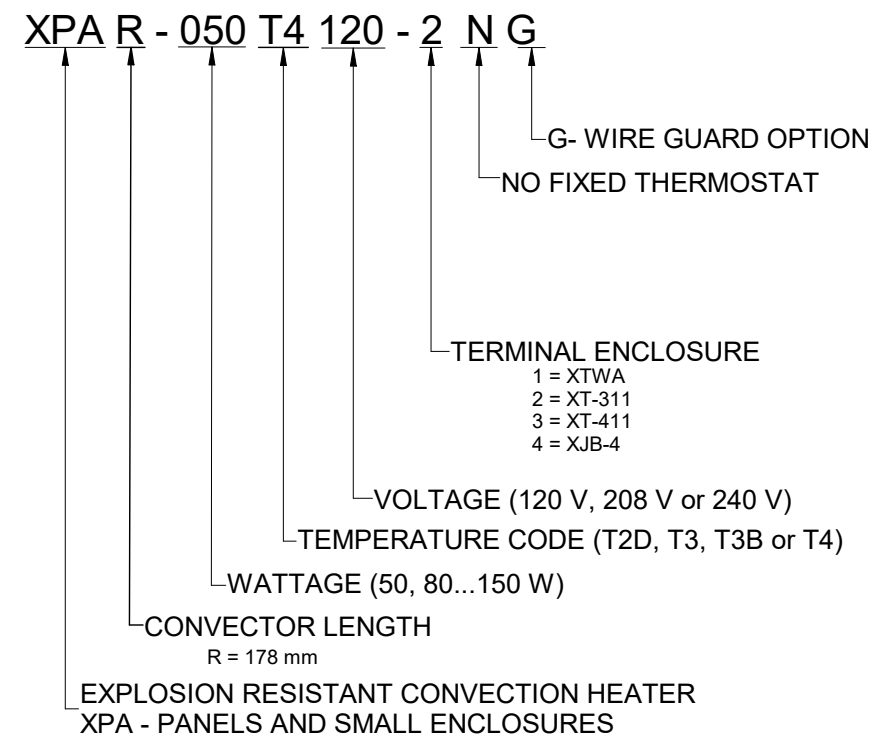
1	ADDED ATEX/IECEX/EAC CERTIFICATION	30 NOV 2015	LB
0	APPROVAL DRAWING - CUSTOMER RELEASE	24 NOV 11	LB
REV.	REVISION DESCRIPTION	DATE	BY
TITLE: XPA, SHORT, EXPLOSION-PROOF PANEL HEATER C/W XT-311 JUNCTION BOX			
DWG NO.: 51380	SHEET: 1 OF 1	TOLERANCE UNLESS NOTED OTHERWISE	
SYTLINE NO.: 11783		± 3 mm METRIC	
SCALE: 1:4			
DRN BY: lbrauer	08 Dec 2011		
CHK'D BY: CF			
APPD. BY:			





WATTS (W)	VOLTS (V)	PHASE	AMP DRAW (A)	TEMPERATURE CODE INFORMATION				CATALOG NO.	
				T2D	T3	T3B	T4		
50	120	1	0.4	✓	✓	✓	✓	1.7 (3.8)	XPAR-050
	208	1	0.2	✓	✓	✓	✓	1.7 (3.8)	
	240	1	0.2	✓	✓	✓	✓	1.7 (3.8)	
80	120	1	0.7	✓	✓	✓	-	1.7 (3.8)	XPAR-080
	208	1	0.4	✓	✓	✓	-	1.7 (3.8)	
	240	1	0.3	✓	✓	✓	-	1.7 (3.8)	
125	120	1	1.0	✓	✓	-	-	1.7 (3.8)	XPAR-125
	208	1	0.6	✓	✓	-	-	1.7 (3.8)	
	240	1	0.5	✓	✓	-	-	1.7 (3.8)	
150	120	1	1.3	✓	-	-	-	1.7 (3.8)	XPAR-150
	208	1	0.7	✓	-	-	-	1.7 (3.8)	
	240	1	0.6	✓	-	-	-	1.7 (3.8)	

NOTE: FOR VERTICAL MOUNTING ONLY



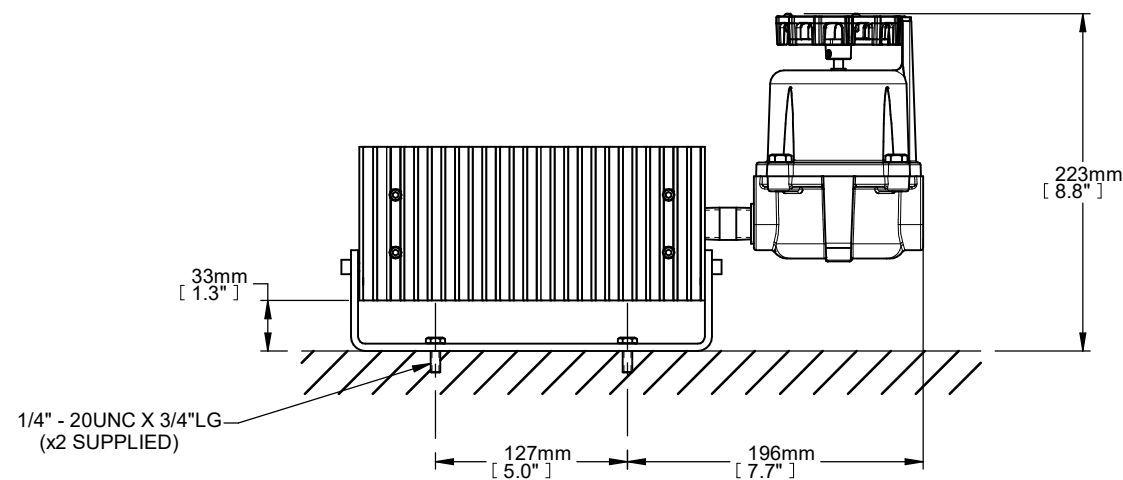
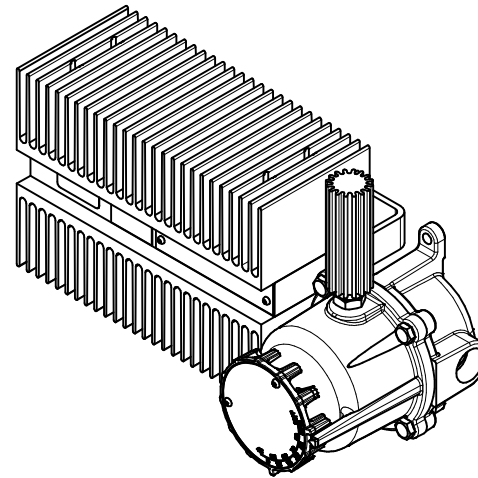
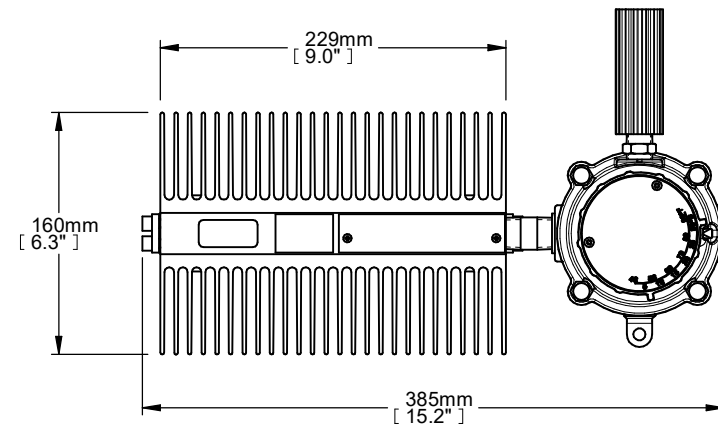
STANDARD FEATURES

- CSA C/US certified for use in Canada and the U.S.A. for Class I, Division 1, Groups C, D hazardous locations
- ATEX/IECEX/EAC certified for Zone 1&2, Ex d IIB hazardous locations
- Suitable for temperature code T2D, T3, T3B or T4 (depending on unit specified)
- High surface area black anodized heat emitter with integral cartridge heating element
- Universal support bracket for vertical mounting only
- Adjustable Thermostat with temperature range of 2°C to 28°C for XT-311 units
- Small bandwidth for accurate temperature adjustments

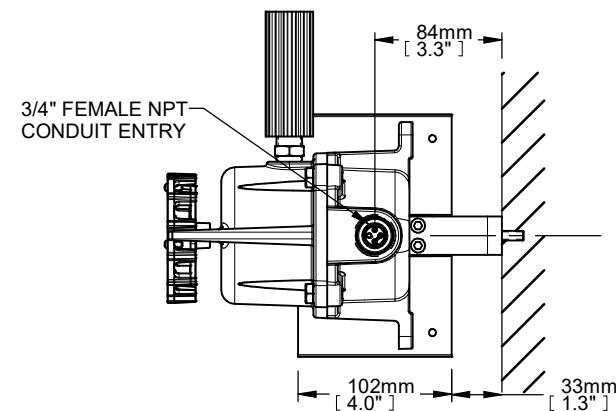
REV.	REVISION DESCRIPTION	DATE	BY
2	XJB-7 OPTION REMOVED.	31 JAN 2018	NJS
1	ADDED ATEX/IECEX/EAC CERTIFICATION	30 NOV 2015	LB
0	APPROVAL DRAWING - CUSTOMER RELEASE	09 OCT 2012	LB

TITLE: XPA R, EXPLOSION PROOF PANEL HEATER
C/W XT-311 JUNCTION BOX

DWG NO.: 51446	SHEET: 1 OF 1	TOLERANCE UNLESS NOTED OTHERWISE	
SYTLINE NO.:		± 0.120" DECIMAL	± 3 mm METRIC
SCALE: 1:3			
DRN BY: lbrauer	09 Oct 2012		
CHK'D BY: CF			
APP'D. BY:			



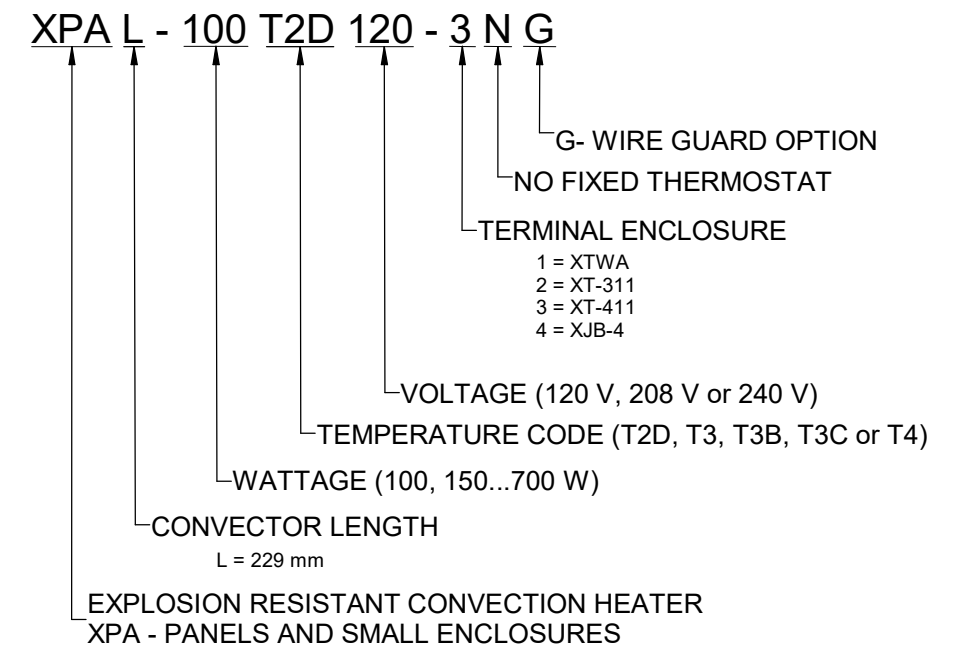
HORIZONTAL MOUNTED



SIDE MOUNTED

WATTS (W)	VOLTS (V)	PHASE	AMP DRAW (A)	TEMPERATURE CODE INFORMATION				APPROX. WEIGHT KG (LBS)	CATALOG NO.
				T2D	T3	T3B/T3C	T4		
100	120	1	0.8	✓	✓	✓	✓	5.9 (12.8)	XPAL-100
	208	1	0.5	✓	✓	✓	✓	5.9 (12.8)	
	240	1	0.4	✓	✓	✓	✓	5.9 (12.8)	
150	120	1	1.3	✓	✓	✓	✓	5.9 (12.8)	XPAL-150
	208	1	0.7	✓	✓	✓	✓	5.9 (12.8)	
	240	1	0.6	✓	✓	✓	✓	5.9 (12.8)	
200	120	1	1.7	✓	✓	✓	✓	5.9 (12.8)	XPAL-200
	208	1	1.0	✓	✓	✓	✓	5.9 (12.8)	
	240	1	0.8	✓	✓	✓	✓	5.9 (12.8)	
250	120	1	2.1	✓	✓	✓	H	5.9 (12.8)	XPAL-250
	208	1	1.2	✓	✓	✓	H	5.9 (12.8)	
	240	1	1.0	✓	✓	✓	H	5.9 (12.8)	
300	120	1	2.5	✓	✓	✓	-	5.9 (12.8)	XPAL-300
	208	1	1.4	✓	✓	✓	-	5.9 (12.8)	
	240	1	1.3	✓	✓	✓	-	5.9 (12.8)	
400	120	1	3.3	✓	✓	H	-	5.9 (12.8)	XPAL-400
	208	1	1.9	✓	✓	H	-	5.9 (12.8)	
	240	1	1.7	✓	✓	H	-	5.9 (12.8)	
500	120	1	4.2	✓	✓	-	-	5.9 (12.8)	XPAL-500
	208	1	2.4	✓	✓	-	-	5.9 (12.8)	
	240	1	2.1	✓	✓	-	-	5.9 (12.8)	
600	120	1	5.0	✓	H	-	-	5.9 (12.8)	XPAL-600
	208	1	2.9	✓	H	-	-	5.9 (12.8)	
	240	1	2.5	✓	H	-	-	5.9 (12.8)	
700	120	1	5.8	H	-	-	-	5.9 (12.8)	XPAL-700
	208	1	3.4	H	-	-	-	5.9 (12.8)	
	240	1	2.9	H	-	-	-	5.9 (12.8)	

H - FOR HORIZONTAL MOUNTING ONLY

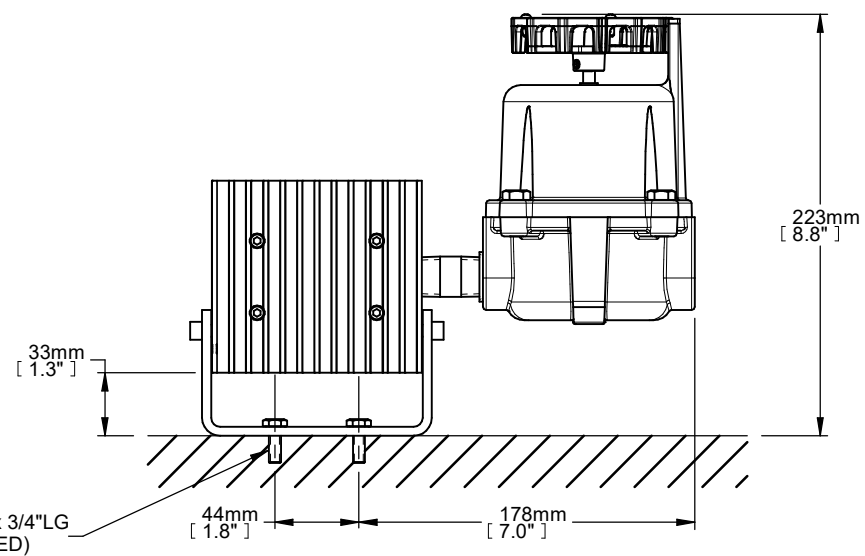
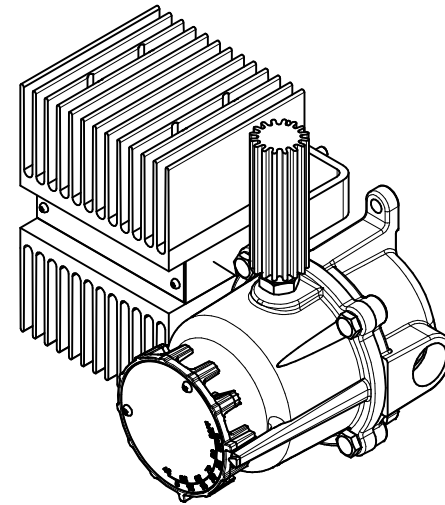
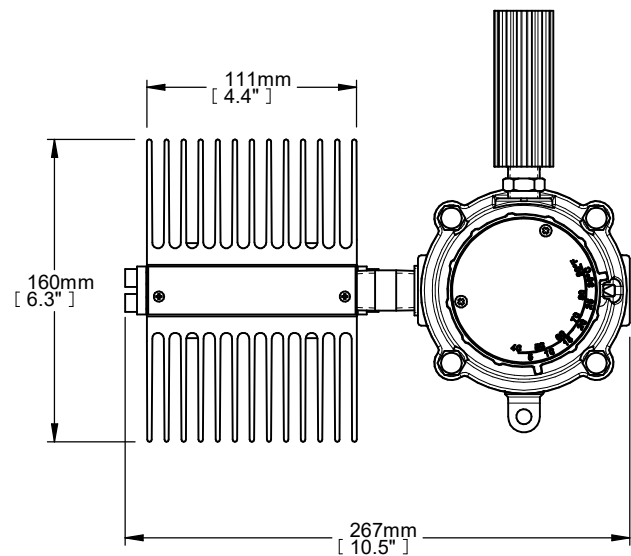


STANDARD FEATURES

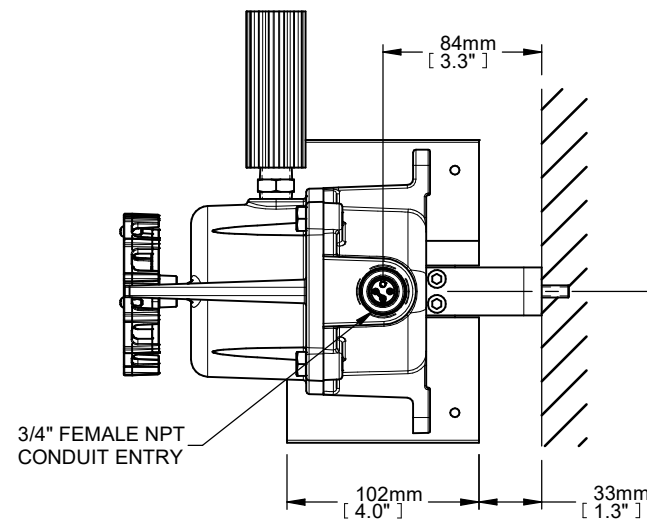
- CSA C/US certified for use in Canada and the U.S.A. for Class I, Division 1, Groups C, D hazardous locations
- ATEX/IECEX/EAC certified for Zone 1&2, Ex d IIB hazardous locations
- Suitable for temperature code T2D, T3, T3B, T3C or T4 (depending on unit specified)
- High surface area black anodized heat emitter with integral cartridge heating element
- Universal support bracket for horizontal and side mounting
- Adjustable thermostat with temperature range of 0°C to 40°C for XT-411 units
- Suitable for robust applications

△	ADDED ATEX/IECEX/EAC CERTIFICATION	30 NOV 2015	LB
0	APPROVAL DRAWING - CUSTOMER RELEASE	24 NOV 11	LB
REV.	REVISION DESCRIPTION	DATE	BY
TITLE: XPA, LONG, EXPLOSION-PROOF PANEL HEATER C/W XT-411 JUNCTION BOX			
DWG NO.: 51375	SHEET: 1 OF 1	TOLERANCE UNLESS NOTED OTHERWISE	
SYTLINE NO.: 11782		± 3 mm	METRIC
SCALE: 1:5			
DRN BY: lbrauer	08 Dec 2011		
CHK'D BY: CF			
APPD. BY:			



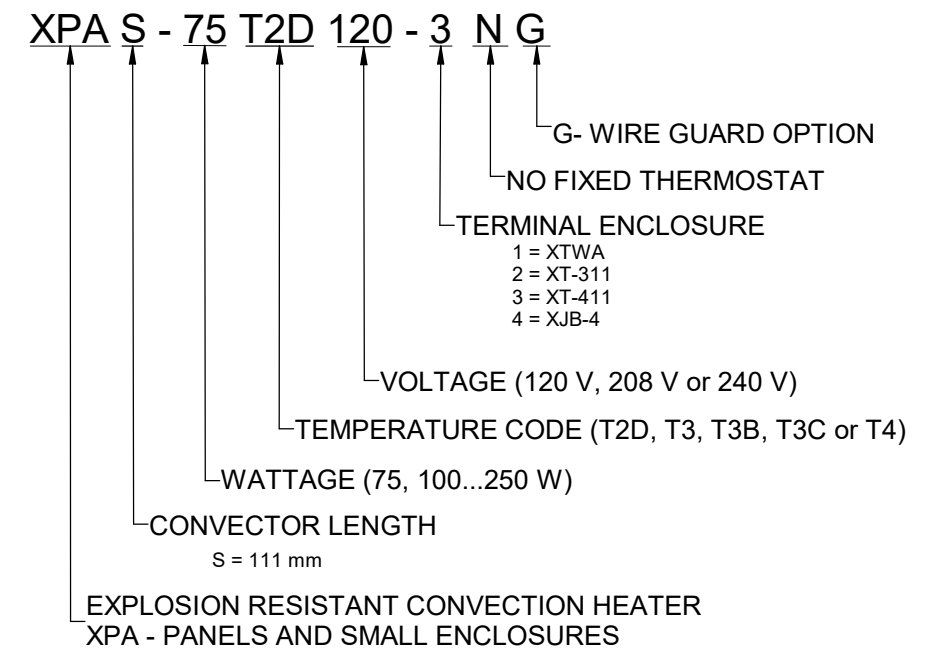


HORIZONTAL MOUNTED



SIDE MOUNTED

TABLE 1 - SPECIFICATIONS FOR XPAS									
WATTS (W)	VOLTS (V)	PHASE	AMP DRAW (A)	TEMPERATURE CODE INFORMATION				APPROX. WEIGHT KG (LBS)	CATALOG NO.
				T2D	T3	T3B/T3C	T4		
75	120	1	0.6	✓	✓	✓	✓	3.4 (7.4)	XPAS-075
	208	1	0.4	✓	✓	✓	✓	3.4 (7.4)	
	240	1	0.3	✓	✓	✓	✓	3.4 (7.4)	
100	120	1	0.8	✓	✓	✓	-	3.4 (7.4)	XPAS-100
	208	1	0.5	✓	✓	✓	-	3.4 (7.4)	
	240	1	0.4	✓	✓	✓	-	3.4 (7.4)	
125	120	1	1.0	✓	✓	✓	-	3.4 (7.4)	XPAS-125
	208	1	0.6	✓	✓	✓	-	3.4 (7.4)	
	240	1	0.5	✓	✓	✓	-	3.4 (7.4)	
150	120	1	1.3	✓	✓	-	-	3.4 (7.4)	XPAS-150
	208	1	0.7	✓	✓	-	-	3.4 (7.4)	
	240	1	0.6	✓	✓	-	-	3.4 (7.4)	
200	120	1	1.7	✓	✓	-	-	3.4 (7.4)	XPAS-200
	208	1	1.0	✓	✓	-	-	3.4 (7.4)	
	240	1	0.8	✓	✓	-	-	3.4 (7.4)	
250	120	1	2.1	✓	-	-	-	3.4 (7.4)	XPAS-250
	208	1	1.2	✓	-	-	-	3.4 (7.4)	
	240	1	1.0	✓	-	-	-	3.4 (7.4)	

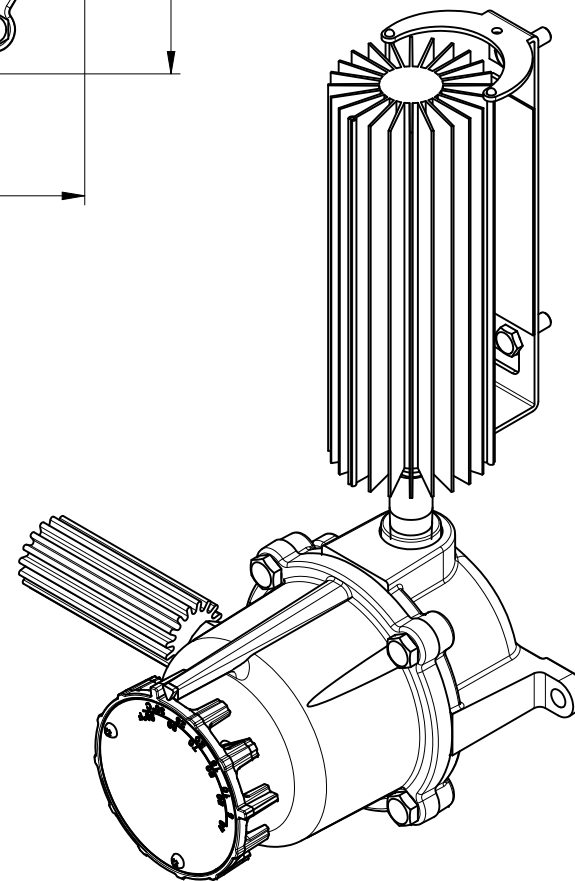
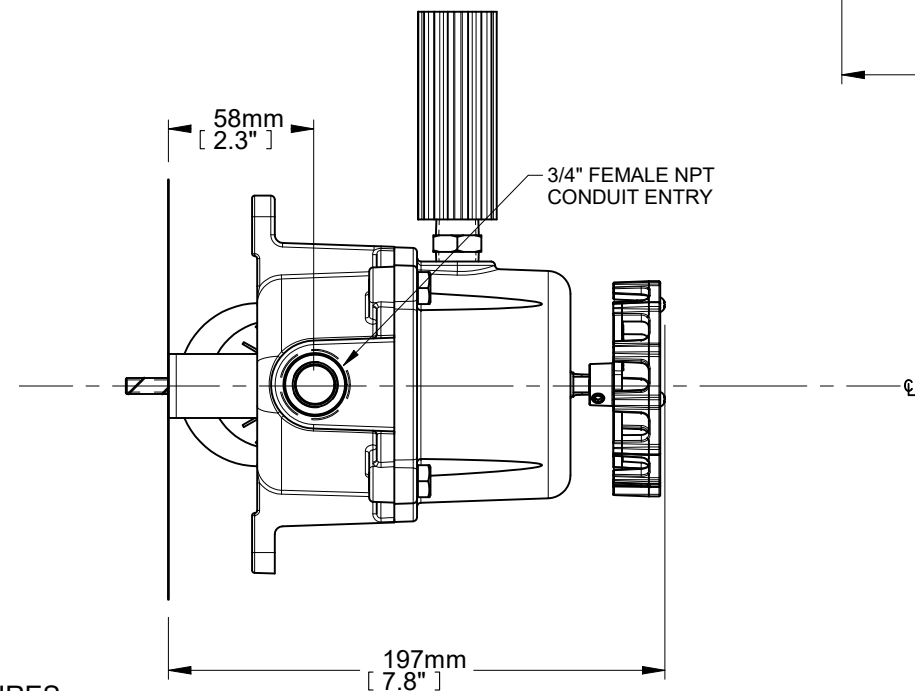
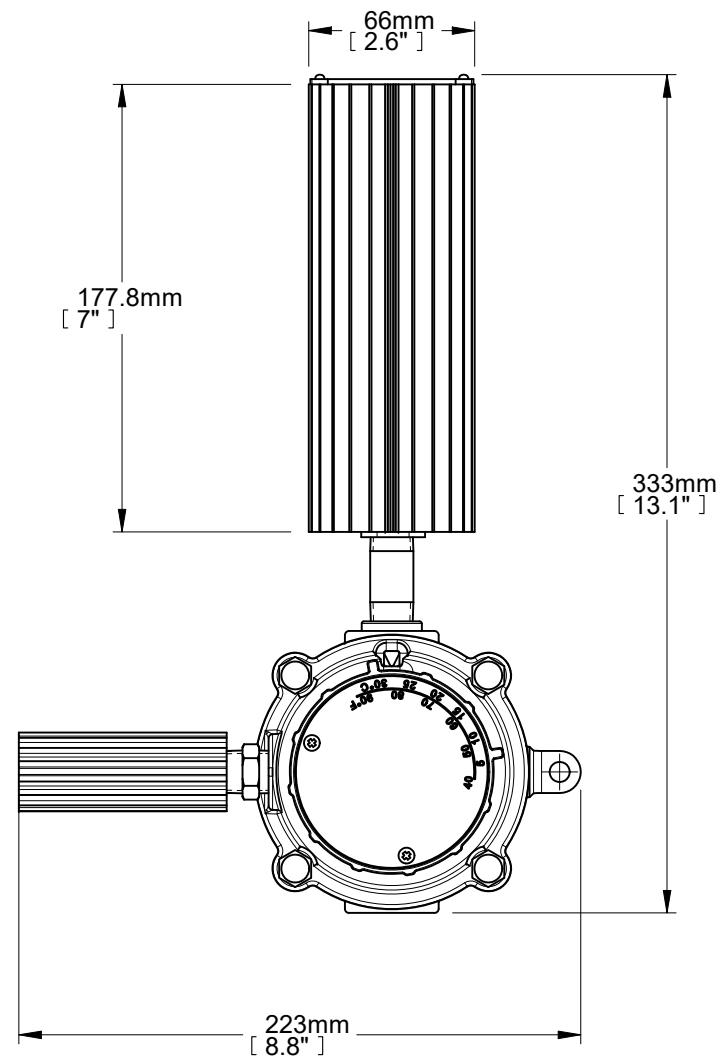
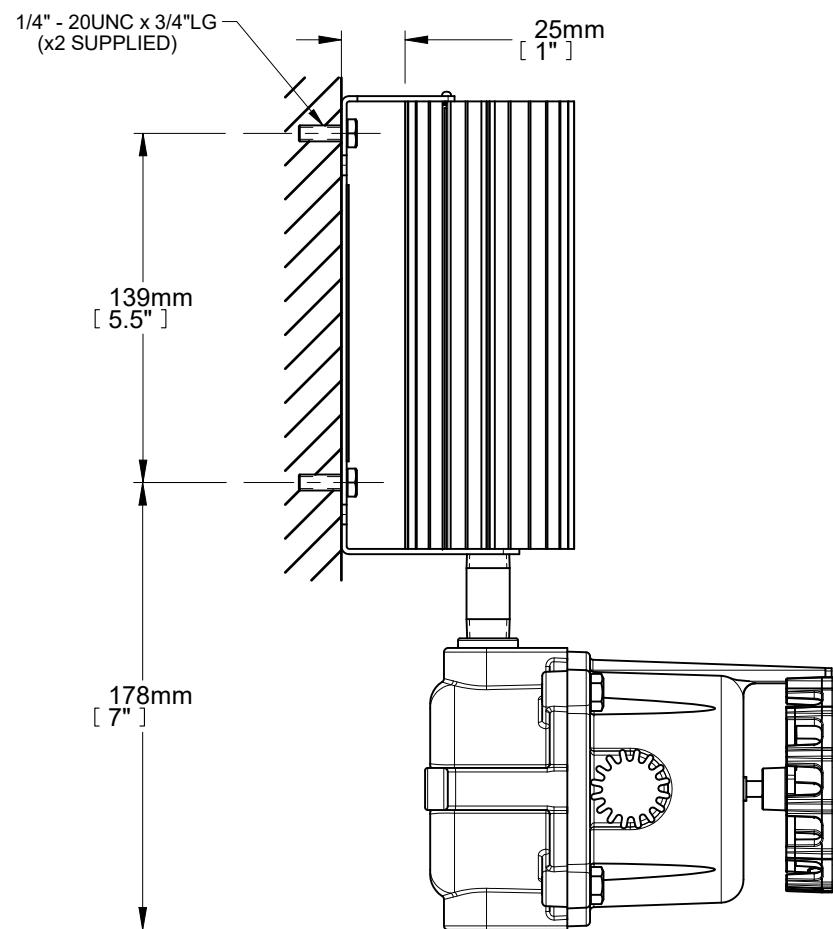


STANDARD FEATURES

- CSA C/US certified for use in Canada and the U.S.A. for Class I, Division 1, Groups C, D hazardous locations
- ATEX/IECEX/EAC certified for Zone 1&2, Ex d IIB hazardous locations
- Suitable for temperature code T2D, T3, T3B, T3C or T4 (depending on unit specified)
- High surface area black anodized heat emitter with integral cartridge heating element
- Universal support bracket for horizontal and side mounting
- Adjustable thermostat with temperature range of 0°C to 40°C for XT-411 units
- Suitable for robust applications

△	ADDED ATEX/IECEX/EAC CERTIFICATION	30 NOV 2015	LB
0	APPROVAL DRAWING - CUSTOMER RELEASE	24 NOV 11	LB
REV.	REVISION DESCRIPTION	DATE	BY
TITLE: XPA, SHORT, EXPLOSION-PROOF PANEL HEATER C/W XT-411 JUNCTION BOX			
DWG NO.: 51379	SHEET: 1 OF 1	TOLERANCE UNLESS NOTED OTHERWISE	
SYTLINE NO.: 11783		± 3 mm	METRIC
SCALE: 1:4			
DRN BY: lbrauer	08 Dec 2011		
CHK'D BY: CF			
APPD. BY:			



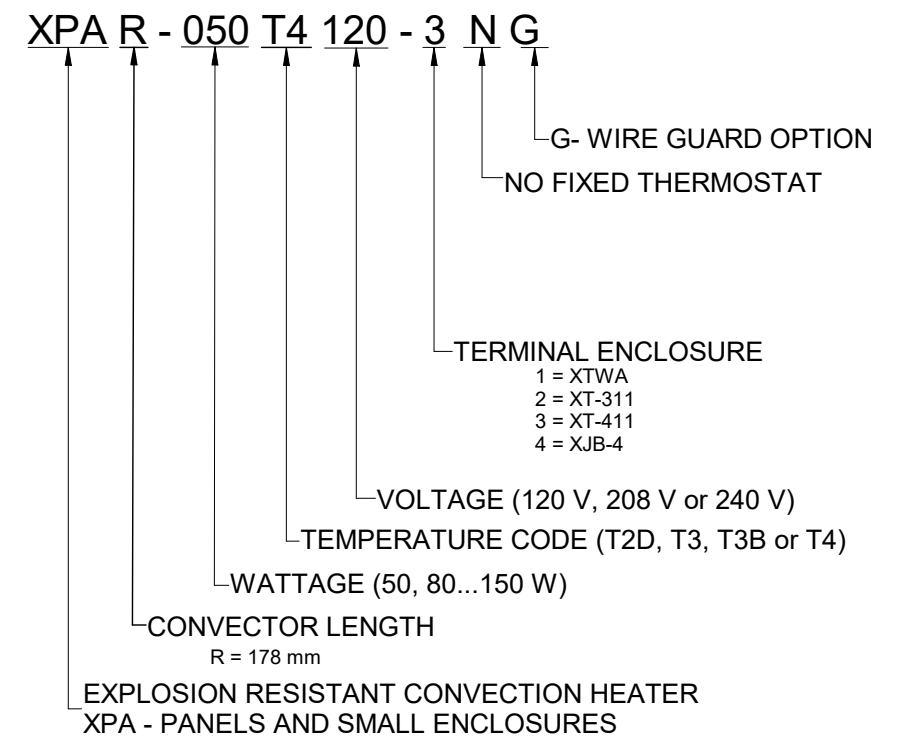


STANDARD FEATURES

- CSA C/US certified for use in Canada and the U.S.A. for Class I, Division 1, Groups C, D hazardous locations
- ATEX/IECEX/EAC certified for Zone 1&2, Ex d IIB hazardous locations
- Suitable for temperature code T2D, T3, T3B or T4 (depending on unit specified)
- High surface area black anodized heat emitter with integral cartridge heating element
- Universal support bracket for vertical mounting only
- Adjustable Thermostat with temperature range of 5°C to 30°C for XT-411 units
- Suitable for robust applications

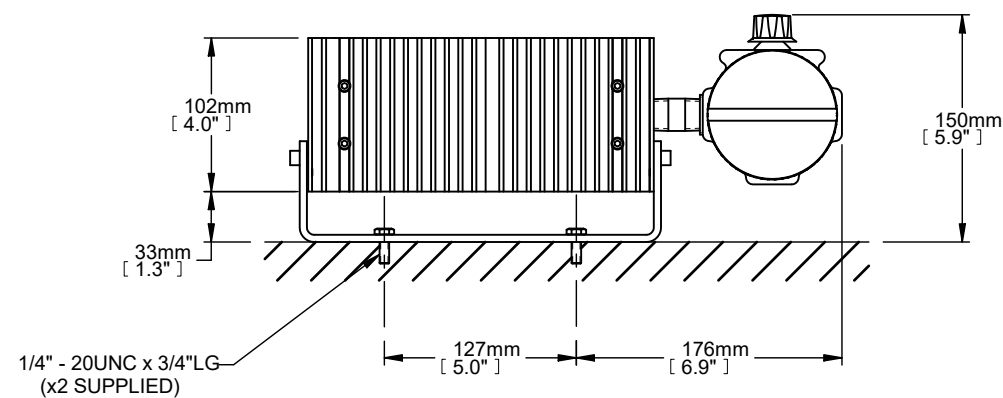
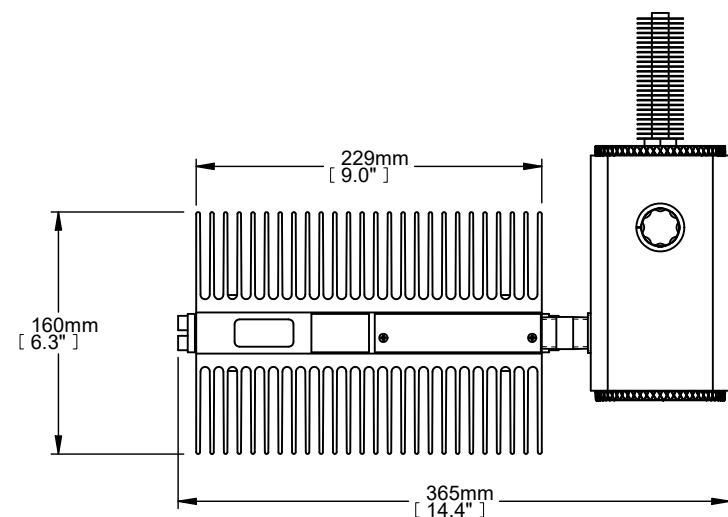
WATTS (W)	VOLTS (V)	PHASE	AMP DRAW (A)	TEMPERATURE CODE INFORMATION				CATALOG NO.
				T2D	T3	T3B	T4	
50	120	1	0.4	✓	✓	✓	✓	XPAR-050
	208	1	0.2	✓	✓	✓	✓	
	240	1	0.2	✓	✓	✓	✓	
80	120	1	0.7	✓	✓	✓	-	XPAR-080
	208	1	0.4	✓	✓	✓	-	
	240	1	0.3	✓	✓	✓	-	
125	120	1	1.0	✓	✓	-	-	XPAR-125
	208	1	0.6	✓	✓	-	-	
	240	1	0.5	✓	✓	-	-	
150	120	1	1.3	✓	-	-	-	XPAR-150
	208	1	0.7	✓	-	-	-	
	240	1	0.6	✓	-	-	-	

NOTE: FOR VERTICAL MOUNTING ONLY

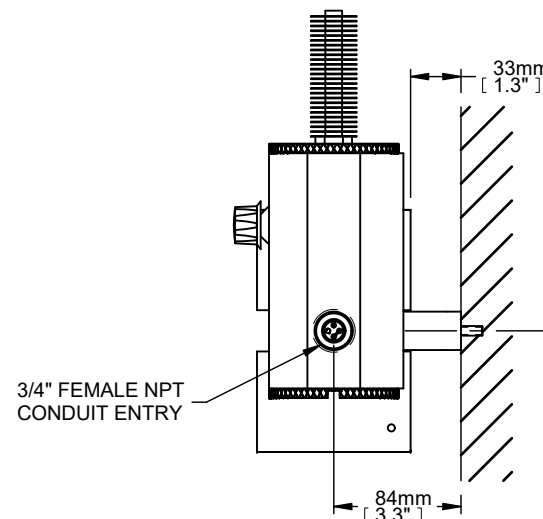
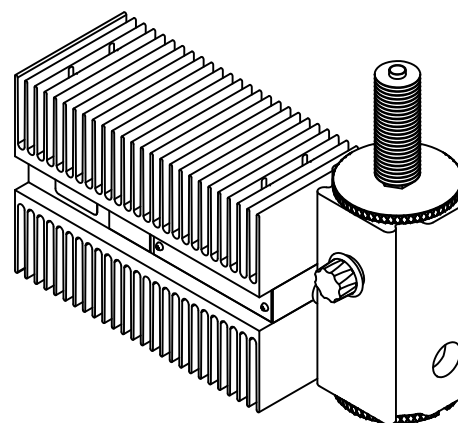


2	XJB-7 OPTION REMOVED.	31 JAN 2018	NJS
1	ADDED ATEX/IECEX/EAC CERTIFICATION	30 NOV 2015	LB
0	APPROVAL DRAWING - CUSTOMER RELEASE	09 OCT 2012	LB
REV.	REVISION DESCRIPTION	DATE	BY
TITLE: XPAR, EXPLOSION PROOF PANEL HEATER C/W XT-411 JUNCTION BOX			
DWG NO.: 51447	SHEET: 1 OF 1	TOLERANCE UNLESS NOTED OTHERWISE	
SYTLINE NO.:		± 0.120"	± 3 mm
		DECIMAL	METRIC
SCALE:	1:3		
DRN BY: lbrauer	10 Oct 2012		
CHK'D BY: CF			
APPD. BY:			





HORIZONTAL MOUNTED



SIDE MOUNTED

WATTS (W)	VOLTS (V)	PHASE	AMP DRAW (A)	TEMPERATURE CODE INFORMATION				APPROX. WEIGHT KG (LBS)	CATALOG NO.
				T2D	T3	T3B/T3C	T4		
100	120	1	0.8	✓	✓	✓	✓	5.9 (12.8)	XPAL-100
	208	1	0.5	✓	✓	✓	✓	5.9 (12.8)	
	240	1	0.4	✓	✓	✓	✓	5.9 (12.8)	
150	120	1	1.3	✓	✓	✓	✓	5.9 (12.8)	XPAL-150
	208	1	0.7	✓	✓	✓	✓	5.9 (12.8)	
	240	1	0.6	✓	✓	✓	✓	5.9 (12.8)	
200	120	1	1.7	✓	✓	✓	✓	5.9 (12.8)	XPAL-200
	208	1	1.0	✓	✓	✓	✓	5.9 (12.8)	
	240	1	0.8	✓	✓	✓	✓	5.9 (12.8)	
250	120	1	2.1	✓	✓	✓	H	5.9 (12.8)	XPAL-250
	208	1	1.2	✓	✓	✓	H	5.9 (12.8)	
	240	1	1.0	✓	✓	✓	H	5.9 (12.8)	
300	120	1	2.5	✓	✓	✓	-	5.9 (12.8)	XPAL-300
	208	1	1.4	✓	✓	✓	-	5.9 (12.8)	
	240	1	1.3	✓	✓	✓	-	5.9 (12.8)	
400	120	1	3.3	✓	✓	H	-	5.9 (12.8)	XPAL-400
	208	1	1.9	✓	✓	H	-	5.9 (12.8)	
	240	1	1.7	✓	✓	H	-	5.9 (12.8)	
500	120	1	4.2	✓	✓	-	-	5.9 (12.8)	XPAL-500
	208	1	2.4	✓	✓	-	-	5.9 (12.8)	
	240	1	2.1	✓	✓	-	-	5.9 (12.8)	
600	120	1	5.0	✓	H	-	-	5.9 (12.8)	XPAL-600
	208	1	2.9	✓	H	-	-	5.9 (12.8)	
	240	1	2.5	✓	H	-	-	5.9 (12.8)	
700	120	1	5.8	H	-	-	-	5.9 (12.8)	XPAL-700
	208	1	3.4	H	-	-	-	5.9 (12.8)	
	240	1	2.9	H	-	-	-	5.9 (12.8)	

H - FOR HORIZONTAL MOUNTING ONLY

XPAL - 100 T2D 120 - 1 N G

G- WIRE GUARD OPTION
NO FIXED THERMOSTAT
TERMINAL ENCLOSURE
1 = XTWA
2 = XT-311
3 = XT-411
4 = XJB-4

VOLTAGE (120 V, 208 V or 240 V)
TEMPERATURE CODE (T2D, T3, T3B, T3C or T4)
WATTAGE (100, 150...700 W)
CONVECTOR LENGTH
L = 229 mm

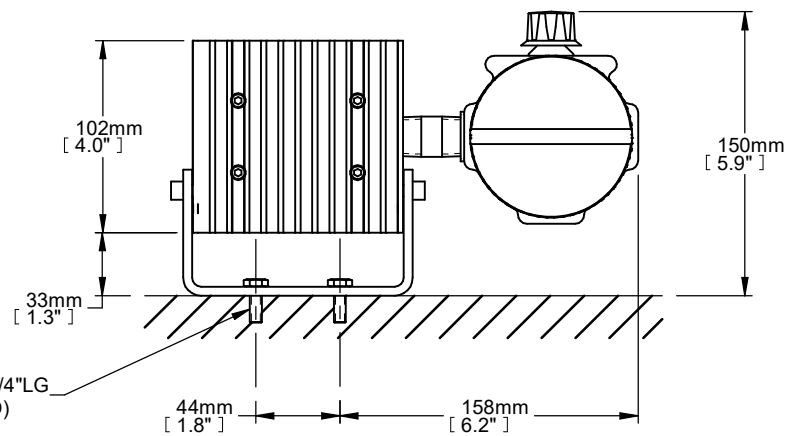
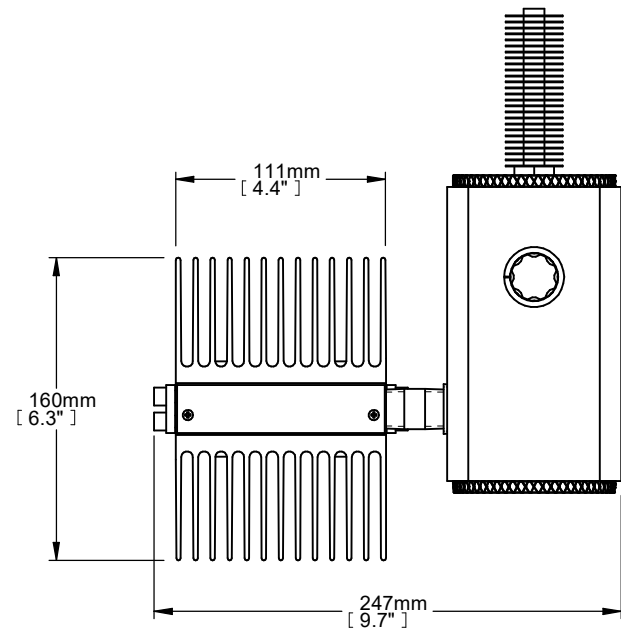
EXPLOSION RESISTANT CONVECTION HEATER
XPA - PANELS AND SMALL ENCLOSURES

STANDARD FEATURES

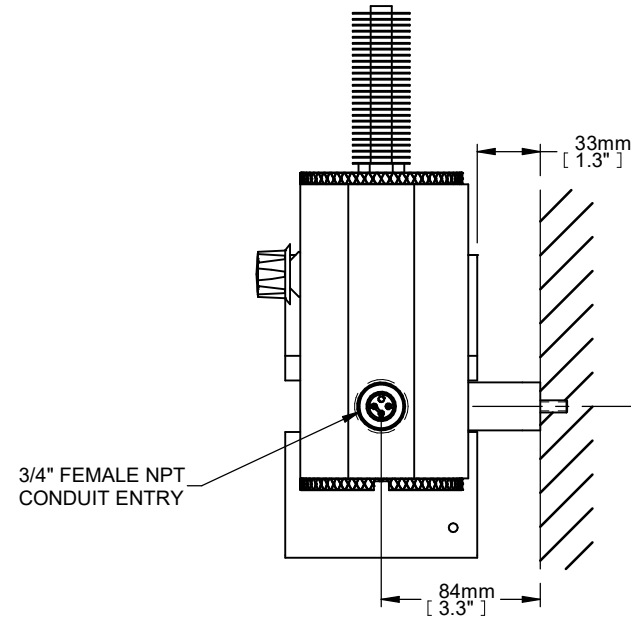
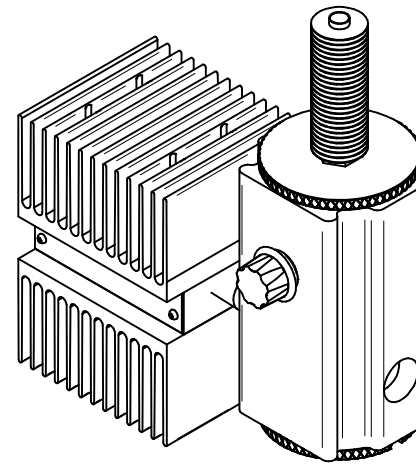
- CSA C/US certified for use in Canada and the U.S.A. for Class I, Division 1, Groups A, B, C, D hazardous locations
- ATEX/IECEX/EAC certified for Zone 1&2, Ex d IIC hazardous locations
- Suitable for temperature code T2D, T3, T3B, T3C or T4 (depending on unit specified)
- High surface area black anodized heat emitter with integral cartridge heating element
- Universal support bracket for horizontal and side mounting
- Adjustable thermostat with temperature range of -18°C to 40°C for XTWA units
- Moisture resistant - CSA Type 4 for XTWA junction box
- x-Max housing

△	ADDED ATEX/IECEX/EAC CERTIFICATION	30 NOV 2015	LB
0	APPROVAL DRAWING - CUSTOMER RELEASE	24 NOV 11	LB
REV.	REVISION DESCRIPTION	DATE	BY
TITLE: XPA, LONG, EXPLOSION-PROOF PANEL HEATER C/W XTWA JUNCTION BOX			
DWG NO.: 51373	SHEET: 1 OF 1	TOLERANCE UNLESS NOTED OTHERWISE	
SYTLINE NO.: 11782		± 3 mm	METRIC
SCALE: 1:5			
DRN BY: lbrauer	08 Dec 2011		
CHK'D BY: CF			
APP'D. BY:			



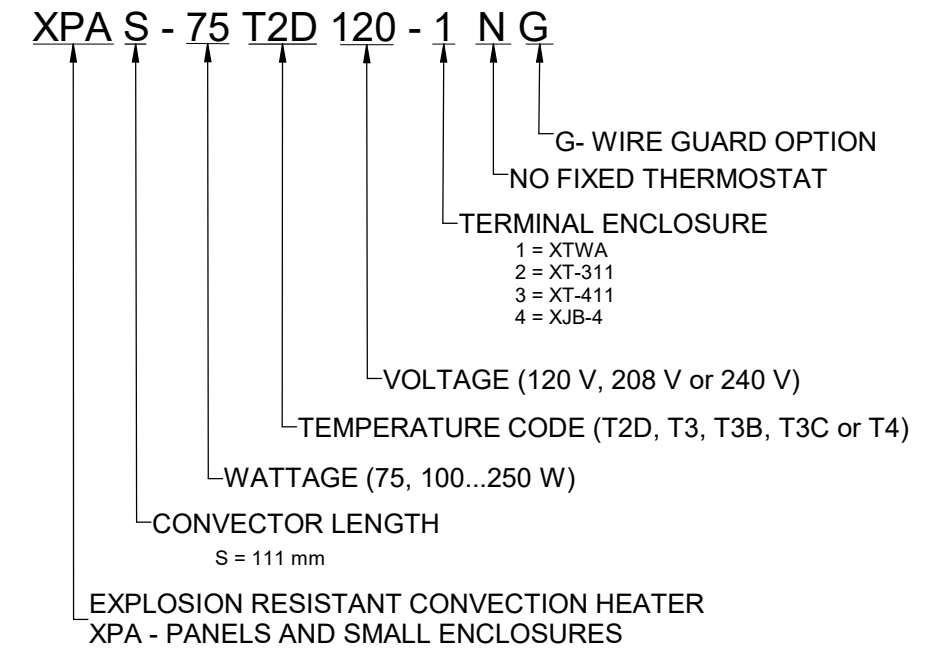


HORIZONTAL MOUNTED



SIDE MOUNTED

WATTS (W)	VOLTS (V)	PHASE	AMP DRAW (A)	TEMPERATURE CODE INFORMATION				APPROX. WEIGHT KG (LBS)	CATALOG NO.
				T2D	T3	T3B/T3C	T4		
75	120	1	0.6	✓	✓	✓	✓	3.4 (7.4)	XPAS-075
	208	1	0.4	✓	✓	✓	✓	3.4 (7.4)	
	240	1	0.3	✓	✓	✓	✓	3.4 (7.4)	
100	120	1	0.8	✓	✓	✓	-	3.4 (7.4)	XPAS-100
	208	1	0.5	✓	✓	✓	-	3.4 (7.4)	
	240	1	0.4	✓	✓	✓	-	3.4 (7.4)	
125	120	1	1.0	✓	✓	✓	-	3.4 (7.4)	XPAS-125
	208	1	0.6	✓	✓	✓	-	3.4 (7.4)	
	240	1	0.5	✓	✓	✓	-	3.4 (7.4)	
150	120	1	1.3	✓	✓	-	-	3.4 (7.4)	XPAS-150
	208	1	0.7	✓	✓	-	-	3.4 (7.4)	
	240	1	0.6	✓	✓	-	-	3.4 (7.4)	
200	120	1	1.7	✓	✓	-	-	3.4 (7.4)	XPAS-200
	208	1	1.0	✓	✓	-	-	3.4 (7.4)	
	240	1	0.8	✓	✓	-	-	3.4 (7.4)	
250	120	1	2.1	✓	-	-	-	3.4 (7.4)	XPAS-250
	208	1	1.2	✓	-	-	-	3.4 (7.4)	
	240	1	1.0	✓	-	-	-	3.4 (7.4)	

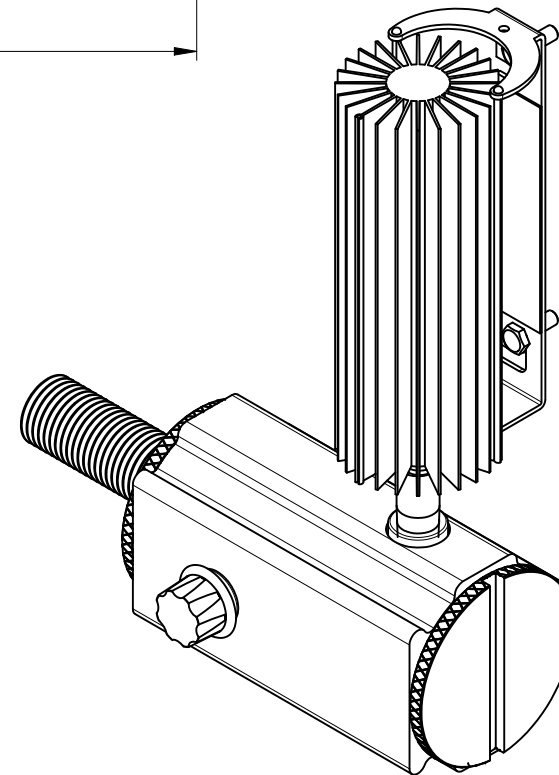
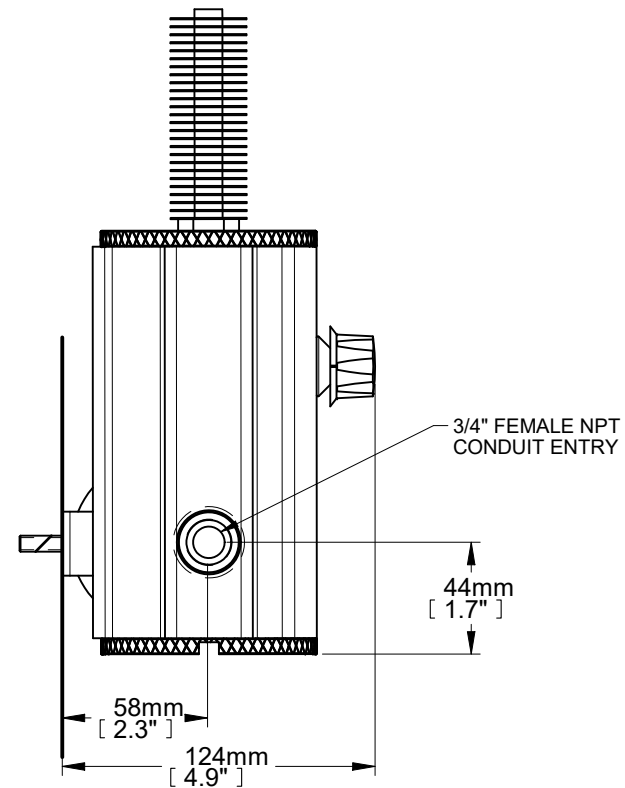
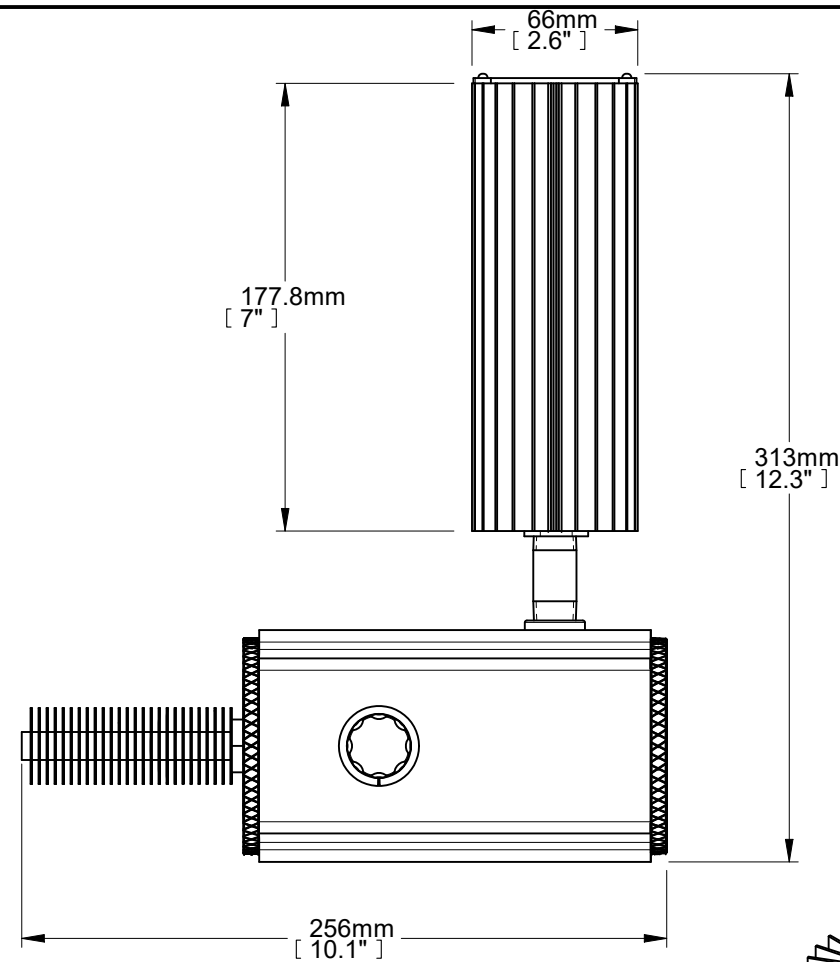
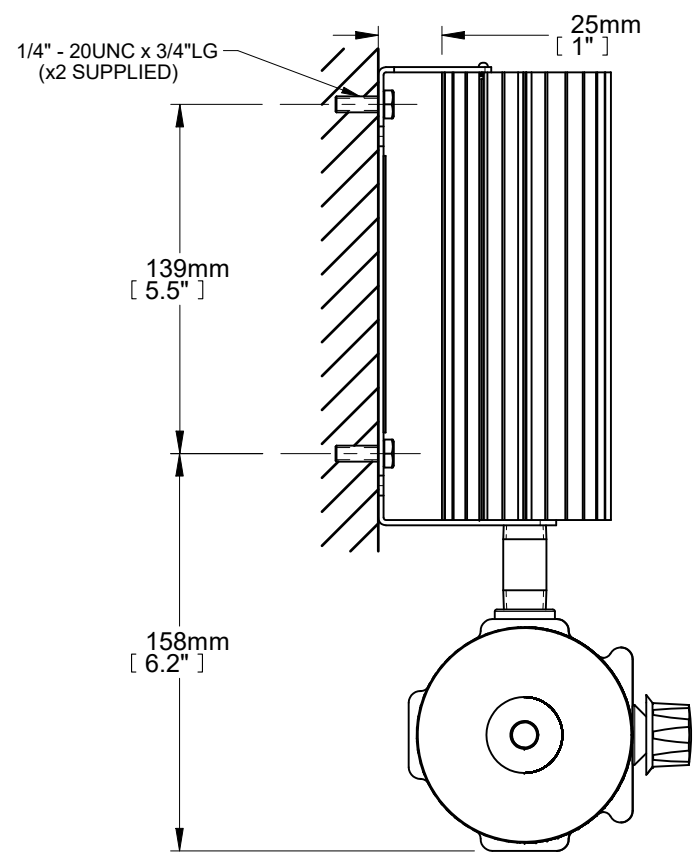


STANDARD FEATURES

- CSA C/US certified for use in Canada and the U.S.A. for Class I, Division 1, Groups A, B, C, D hazardous locations
- ATEX/IECEX/EAC certified for Zone 1&2, Ex d IIC hazardous locations.
- Suitable for temperature code T2D, T3, T3B, T3C or T4 (depending on unit specified)
- High surface area black anodized heat emitter with integral cartridge heating element
- Universal support bracket for horizontal and side mounting
- Adjustable thermostat with temperature range of -18°C to 40°C for XTWA units
- Moisture resistant - CSA Type 4 for XTWA junction box
- x-Max housing

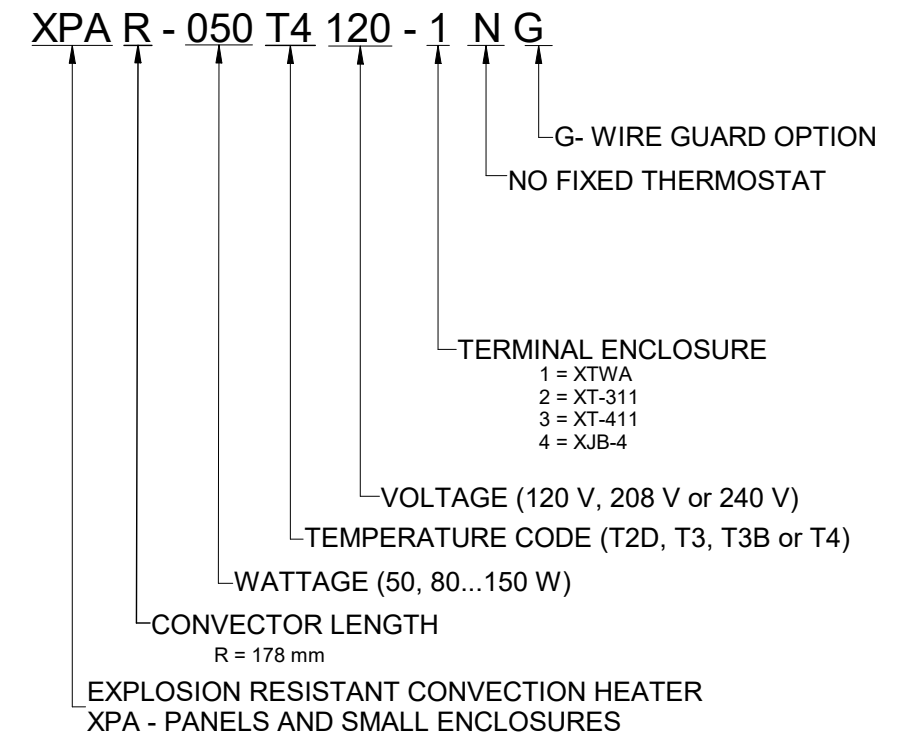
△	ADDED ATEX/IECEX/EAC CERTIFICATION	30 NOV 2015	LB
0	APPROVAL DRAWING - CUSTOMER RELEASE	24 NOV 11	LB
REV.	REVISION DESCRIPTION	DATE	BY
TITLE: XPA, SHORT, EXPLOSION-PROOF PANEL HEATER C/W XTWA JUNCTION BOX			
DWG NO.: 51378-B	SHEET: 1 OF 1	TOLERANCE UNLESS NOTED OTHERWISE	
SYTLINE NO.: N/A		± 3 mm	METRIC
SCALE: 1:4			
DRN BY: Ibrauer	08 Dec 2011		
CHK'D BY: CF			
APPD. BY:			





WATTS (W)	VOLTS (V)	PHASE	AMP DRAW (A)	TEMPERATURE CODE INFORMATION				CATALOG NO.	
				T2D	T3	T3B	T4		
50	120	1	0.4	✓	✓	✓	✓	1.7 (3.8)	XPAR-050
	208	1	0.2	✓	✓	✓	✓	1.7 (3.8)	
	240	1	0.2	✓	✓	✓	✓	1.7 (3.8)	
80	120	1	0.7	✓	✓	✓	-	1.7 (3.8)	XPAR-080
	208	1	0.4	✓	✓	✓	-	1.7 (3.8)	
	240	1	0.3	✓	✓	✓	-	1.7 (3.8)	
125	120	1	1.0	✓	✓	-	-	1.7 (3.8)	XPAR-125
	208	1	0.6	✓	✓	-	-	1.7 (3.8)	
	240	1	0.5	✓	✓	-	-	1.7 (3.8)	
150	120	1	1.3	✓	-	-	-	1.7 (3.8)	XPAR-150
	208	1	0.7	✓	-	-	-	1.7 (3.8)	
	240	1	0.6	✓	-	-	-	1.7 (3.8)	

NOTE: FOR VERTICAL MOUNTING ONLY



STANDARD FEATURES

- CSA C/US certified for use in Canada and the U.S.A. for Class I, Division 1, Groups A, B, C, D hazardous locations
- ATEX/IECEX/EAC certified for Zone 1&2, Ex d IIC hazardous locations
- Suitable for temperature code T2D, T3, T3B or T4 (depending on unit specified)
- High surface area black anodized heat emitter with integral cartridge heating element
- Universal support bracket for vertical mounting only
- Adjustable Thermostat with temperature range of -18°C to 40°C for XTWA units
- Moisture resistant - CSA Type 4 for XTWA junction box
- x-Max housing

REV.	REVISION DESCRIPTION	DATE	BY
2	XJB-7 BOX OPTION REMOVED.	31 JAN 2018	NJS
1	ADDED ATEX/IECEX/EAC CERTIFICATION	30 NOV 2015	LB
0	APPROVAL DRAWING - CUSTOMER RELEASE	09 OCT 2012	LB

TITLE: XPAR, EXPLOSION PROOF PANEL HEATER
C/W XTWA JUNCTION BOX

DWG NO.: 51448	SHEET: 1 OF 1	TOLERANCE UNLESS NOTED OTHERWISE	
SYTLINE NO.:		± 0.120" DECIMAL	± 3 mm METRIC
SCALE: 1:3			
DRN BY: lbrauer	12 Oct 2012		
CHK'D BY: CF			
APPD. BY:			