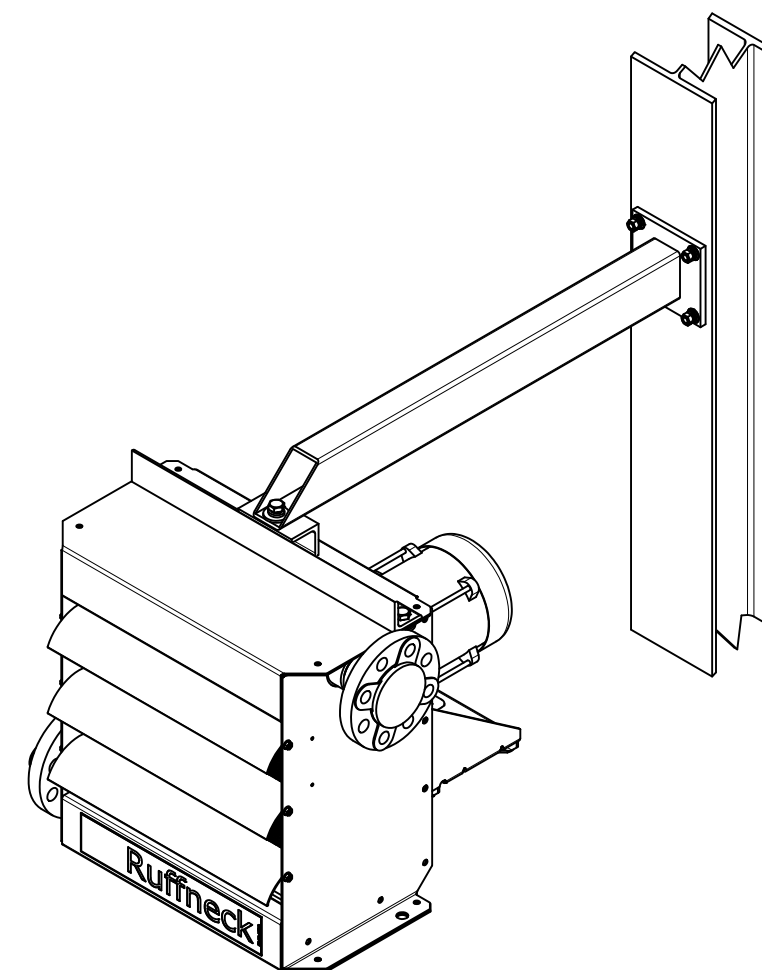
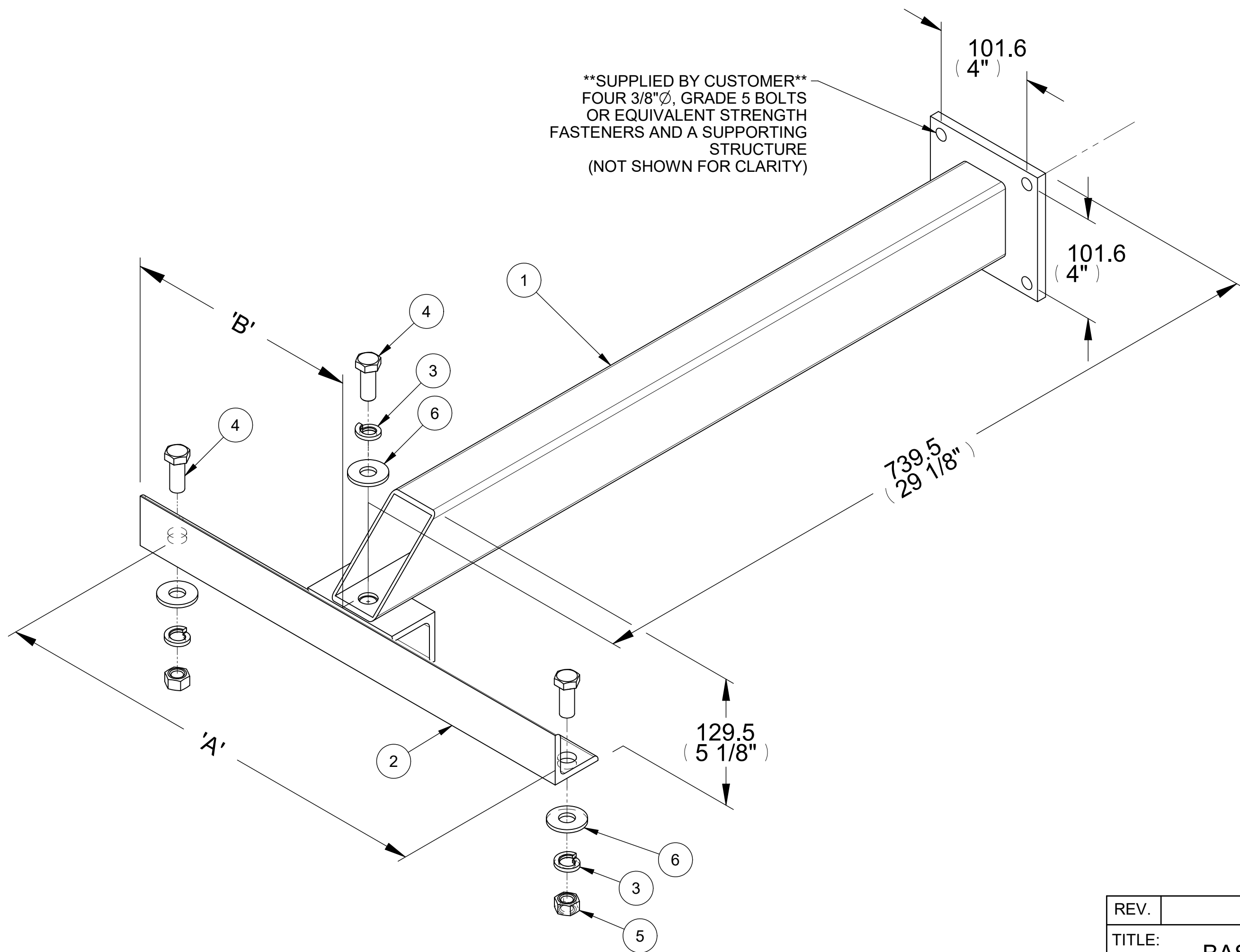


AH24A	5716	5452	766 (30.2")	398 (15.7")
AH20A	5715	5453	665 (26.2")	348 (13.7")
AH16A	5714	5454	564 (22.2")	297 (11.7")
AH12A	5713	5455	462 (18.2")	246 (9.7")
HEATER MODEL	MOUNTING KIT PART NO.	BRACKET PART NO.	DIM 'A'	DIM 'B'

TABLE 1 - ATTACHEMENT BRACKET ASSEMBLY

BILL OF MATERIALS			
ITEM	QTY	THERMON PART NO	DESCRIPTION
1	1	9706	ARM, MOUNTING, 750mm
2	1	SEE TABLE 1	BRACKET, MTG ATTACH ASSY
3	3	4373	Lockwasher-1/2-Split-SZP
4	3	2940	BOLT 1/2-13UNC x 1 1/4LONG, HEXAGON HEAD
5	2	4372	NUT-1/2-13 UNC-H-SZP
6	3	2941	WASHER, FLAT 1/2"



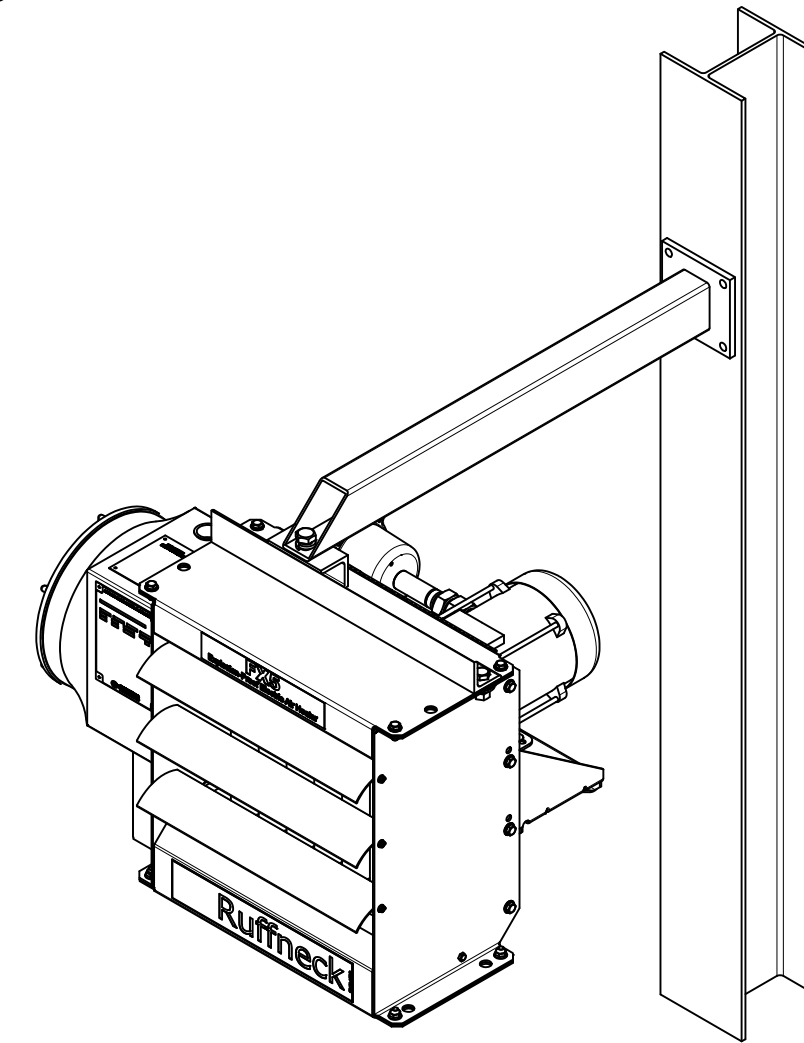
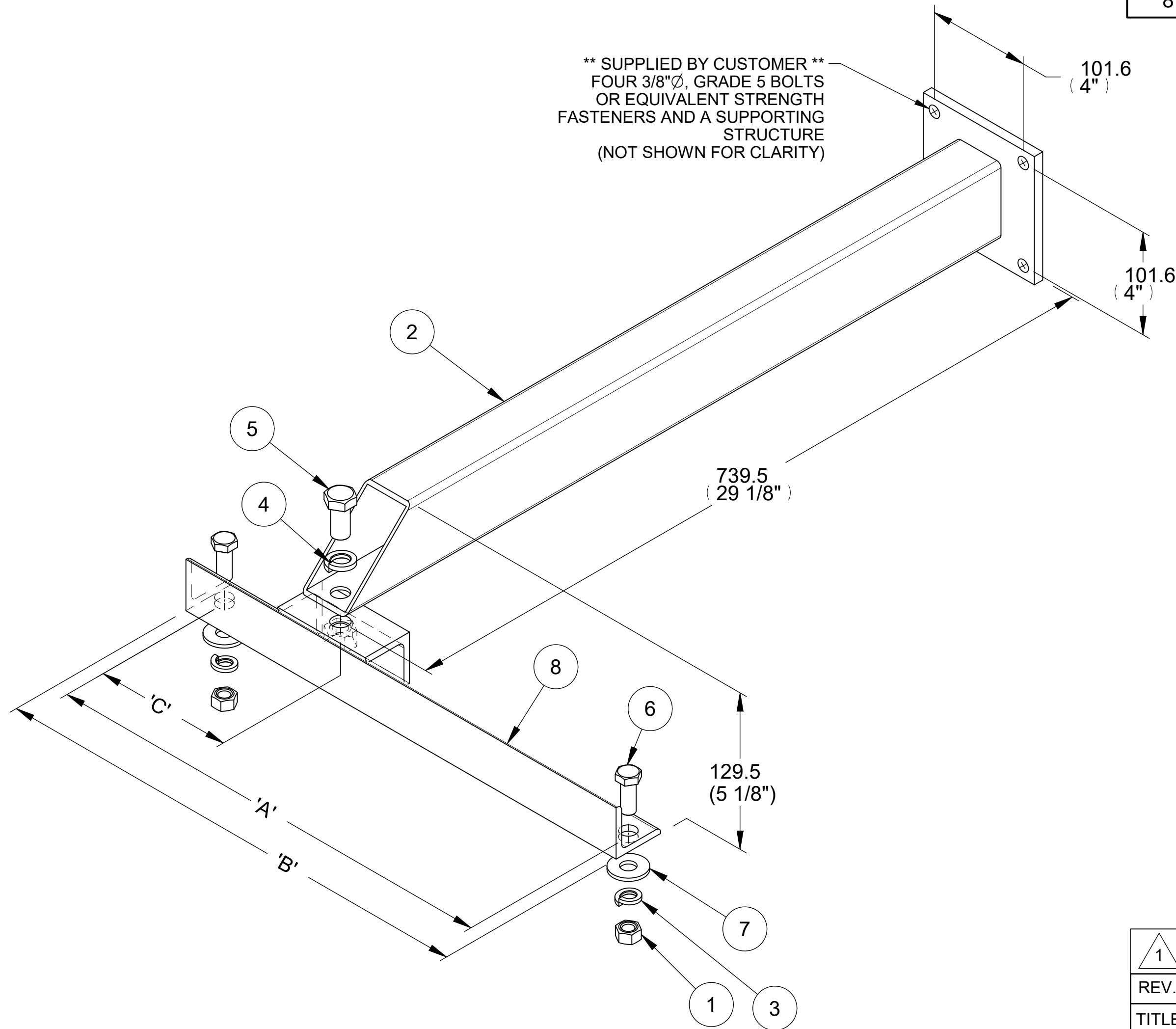
REV.	REVISION DESCRIPTION	DATE	BY
TITLE: BASIC MTG KIT, RUFFNECK AH			
DWG NO.: 5713-C SHEET: 1 OF 1		TOLERANCE UNLESS NOTED OTHERWISE	
SYTELINE NO.: 5713		± 1/2° ANGULAR	± 0.005" DECIMAL
		± 1/16" FRACTIONAL	± 1 mm METRIC
SCALE: NTS			
DRN BY: MCARGILL		20 Dec 2007	
CHK'D BY:			
APP'D. BY:			



20"	9726	9677	665.0	695.0	316.0
16"	9725	9676	564.0	594.0	209.6
12"	9724	9675	462.0	492.0	152.0
FAN SIZE	MOUNTING KIT PART NO.	HEATER BRACKET PART NO	DIM 'A'	DIM 'B'	DIM 'C'

TABLE 1. - MOUNTING BRACKET DIMENSIONS

ITEM	QTY	THERMON PART NO	DESCRIPTION
1	2	4372	NUT-1/2-13 UNC-H-SZP
2	1	9706	ARM, MOUNTING, 750mm
3	2	4373	Lockwasher-1/2-Split-SZP
4	1	3093	Lockwasher-5/8-Split-SZP
5	1	3122	Bolt-5/8-11UNC x 1 1/4Lg-H-SZP
6	2	2940	BOLT 1/2-13UNC x 1 1/4LONG, HEXAGON HEAD
7	2	2941	WASHER, FLAT 1/2"
8	1	SEE TABLE	BRACKET, MTG ATTACH ASSY



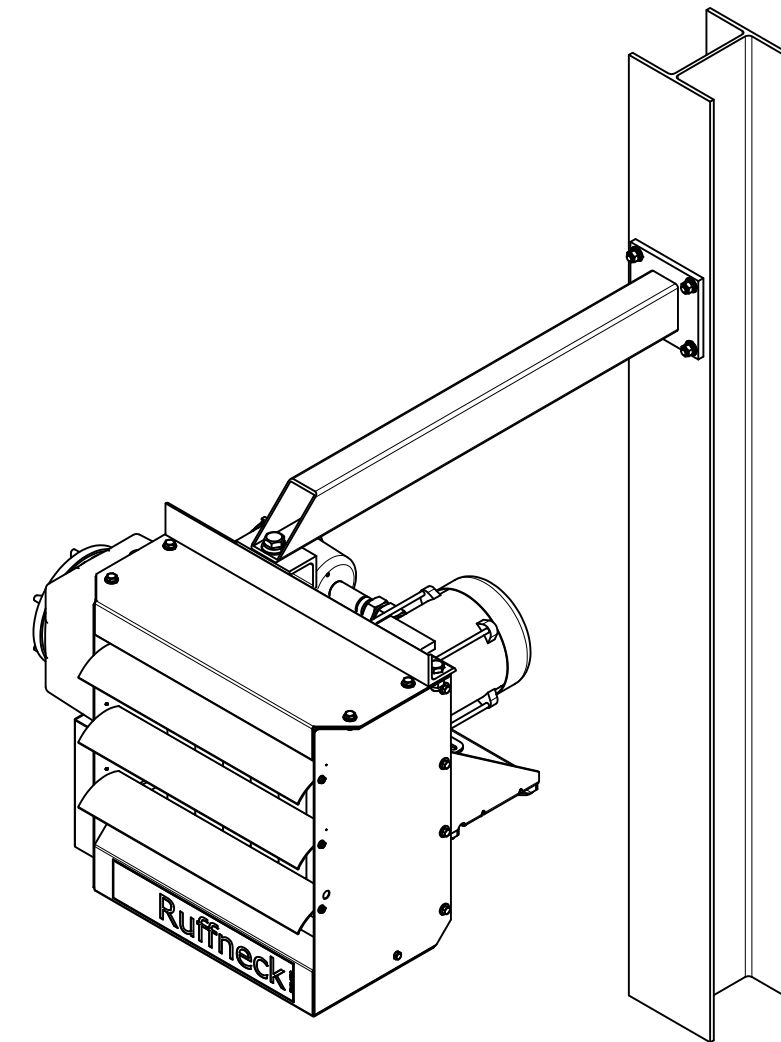
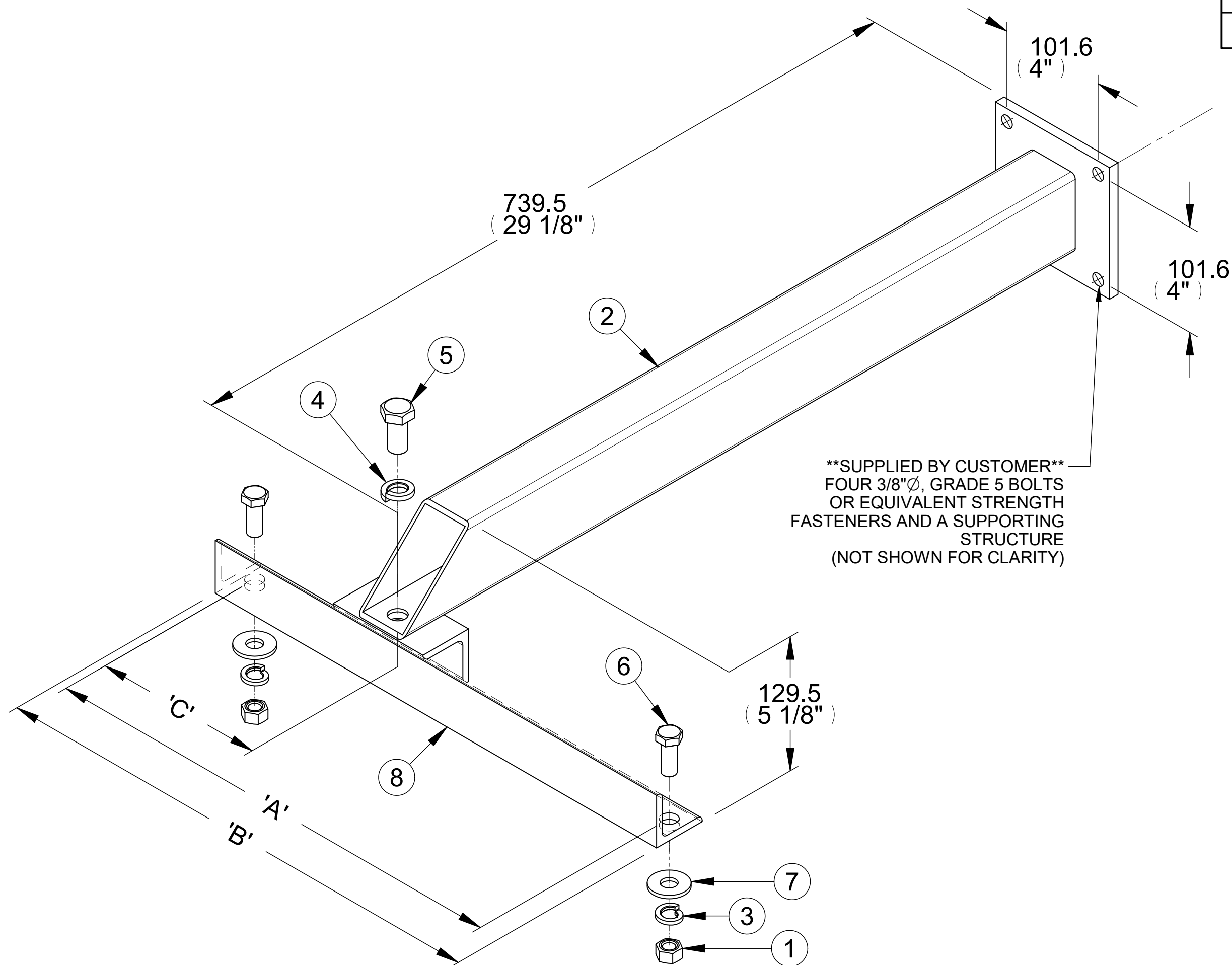
1	ADAPTER (#9771) AND HARDWARE REMOVED.	06 APR 2016	NJS
REV.	REVISION DESCRIPTION	DATE	BY
TITLE: <b>BASIC MTG KIT, RUFFNECK FX5/FX6/FE2</b>			
DWG NO.: 9724	SHEET: 1 OF 1	TOLERANCE UNLESS NOTED OTHERWISE	
SYTELINE NO.: SEE TABLE		± 1/2° ANGULAR	± 0.005" DECIMAL
		± 1/16" FRACTIONAL	± 1 mm METRIC
SCALE: NTS			
DRN BY: MCARGILL		04 Dec 2007	
CHK'D BY:			
APP'D. BY:			



20"	4398	4377	665	695	283
16"	4397	4376	564	594	234
12"	4396	4375	462	492	179
FAN SIZE	MOUNTING KIT PART NO.	BRACKET PART NO.	DIM 'A'	DIM 'B'	DIM 'C'

TABLE 1 - MOUNTING BRACKET DIMENSIONS

ITEM	QTY	THERMON PART NO	DESCRIPTION
1	2	4372	NUT-1/2-13 UNC-H-SZP
2	1	9706	ARM, MOUNTING, 750mm
3	2	4373	Lockwasher-1/2-Split-SZP
4	1	3093	Lockwasher-5/8-Split-SZP
5	1	3122	Bolt-5/8-11UNC x 1 1/4Lg-H-SZP
6	2	2940	BOLT 1/2-13UNC x 1 1/4LONG, HEXAGON HEAD
7	2	2941	WASHER, FLAT 1/2"
8	1	SEE TABLE	BRACKET, MTG ATTACH ASSY

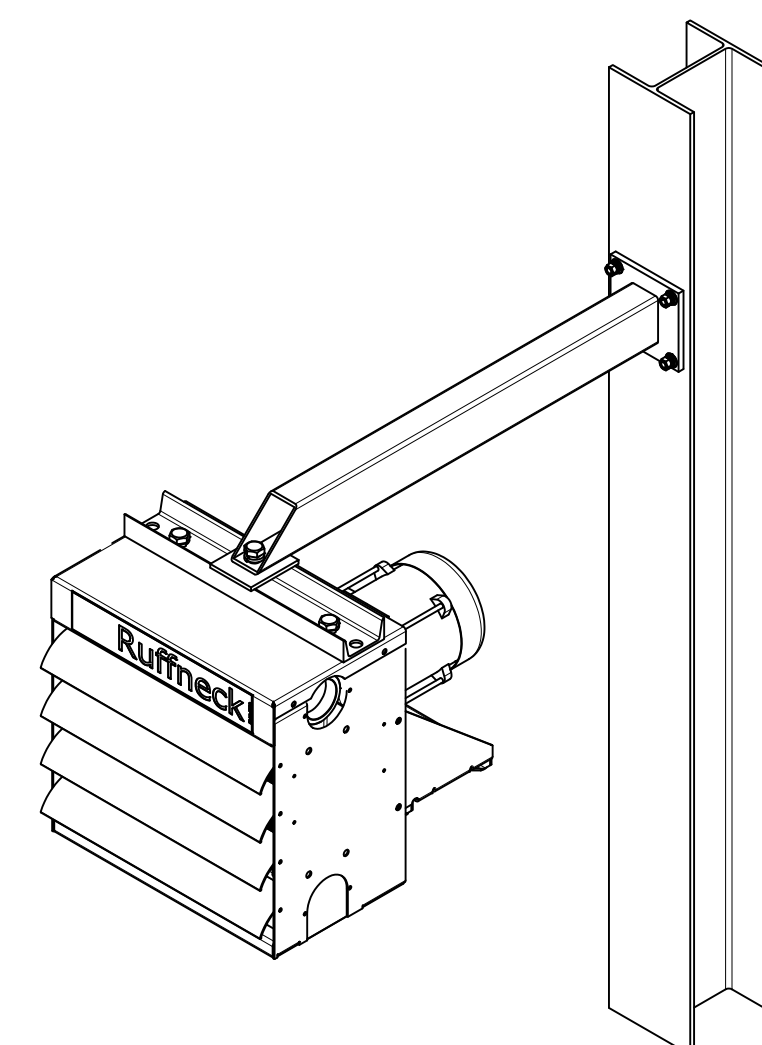
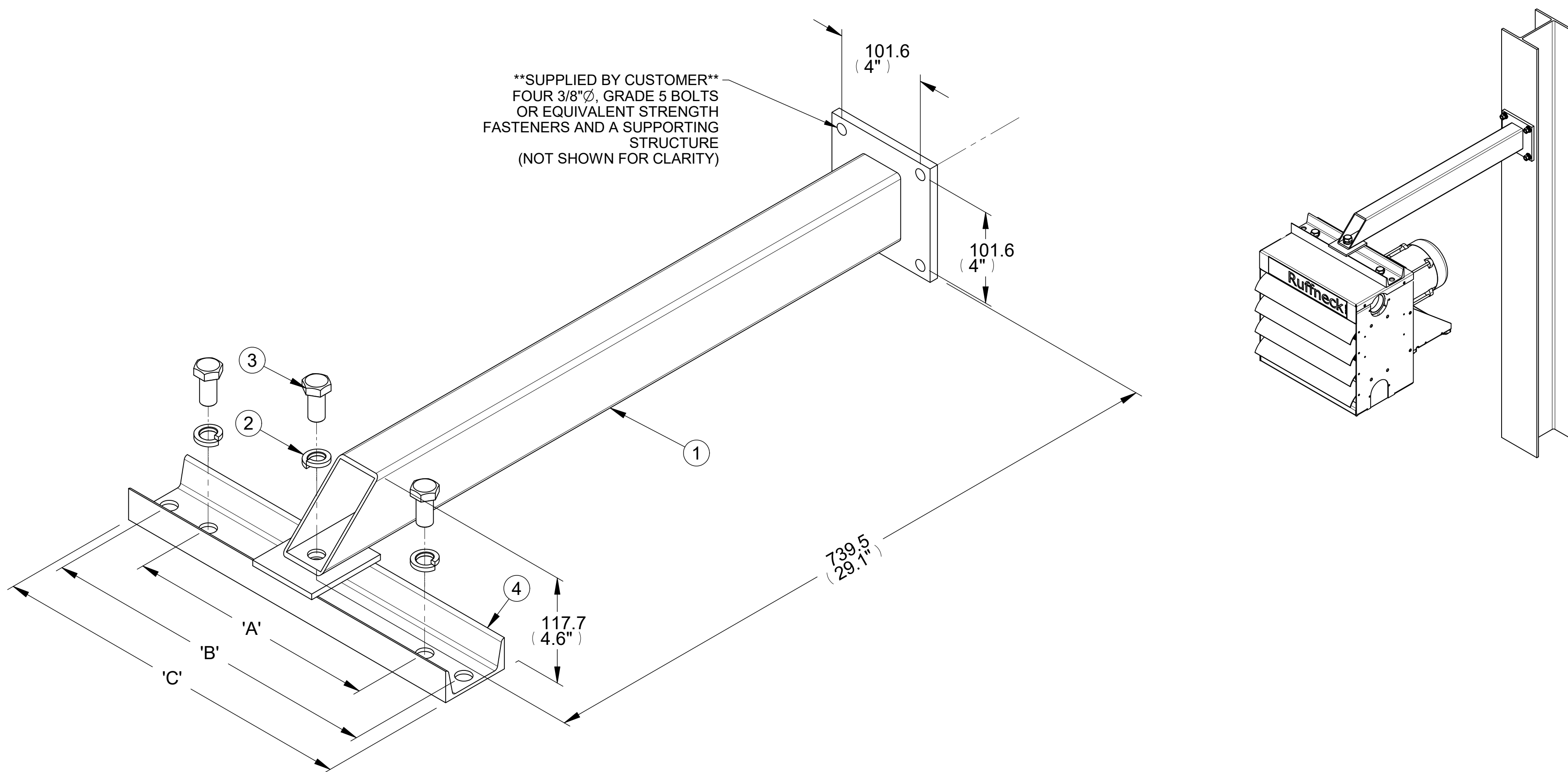


1	ADDED DIMENSIONS	26 OCT 2010	CF
REV.	REVISION DESCRIPTION	DATE	BY
TITLE: BASIC MTG KIT, RUFFNECK FX4/FE1			
DWG NO.: 4396	SHEET: 1 OF 1	TOLERANCE UNLESS NOTED OTHERWISE	
SYTELIN NO.: SEE TABLE		± 1/2° ANGULAR	± 0.005" DECIMAL
SCALE: NTS		± 1/16" FRACTIONAL	± 1 mm METRIC
DRN BY: MCARGILL	10 Dec 2007		
CHK'D BY:			
APP'D. BY:			

FR/HP-24	3390	2602	432	500	550
FR/HP-20					
FR/HP-16	3389	2600	280	381	410
FR/HP-12					
HEATER MODEL	MOUNTING KIT PART NO.	BRACKET PART NO.	DIM 'A'	DIM 'B'	DIM 'C'

TABLE 1 - MOUNTING BRACKET DIMENSIONS

ITEM	QTY	THERMON PART NO	DESCRIPTION
1	1	9706	ARM, MOUNTING, 750mm
2	3	3093	Lockwasher-5/8-Split-SZP
3	3	3122	Bolt-5/8-11UNC x 1 1/4Lg-H-SZP
4	1	SEE TABLE 1	BRACKET, MTG ATTACH ASSY



REV.	REVISION DESCRIPTION	DATE	BY
TITLE: BASIC MTG KIT, RUFFNECK FR/HP			
DWG NO.: 3389		SHEET: 1 OF 1	
SYTELINE NO.: SEE TABLE		TOLERANCE UNLESS NOTED OTHERWISE	
		± 1/2° ANGULAR	± 0.005" DECIMAL
		± 1/16" FRACTIONAL	± 1 mm METRIC
SCALE: NTS			
DRN BY: MCARGILL		18 Dec 2007	
CHK'D BY:			
APP'D. BY:			

