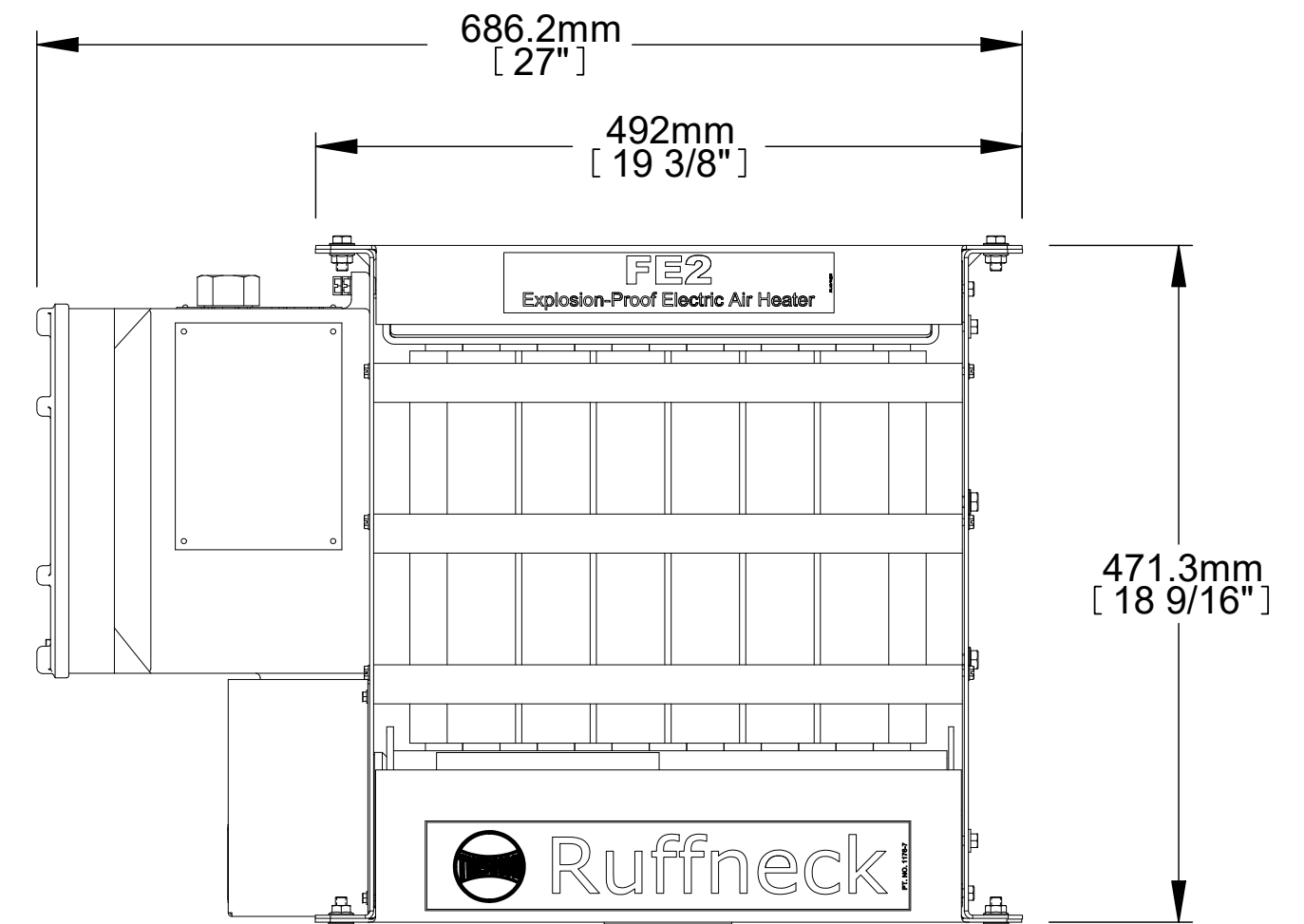
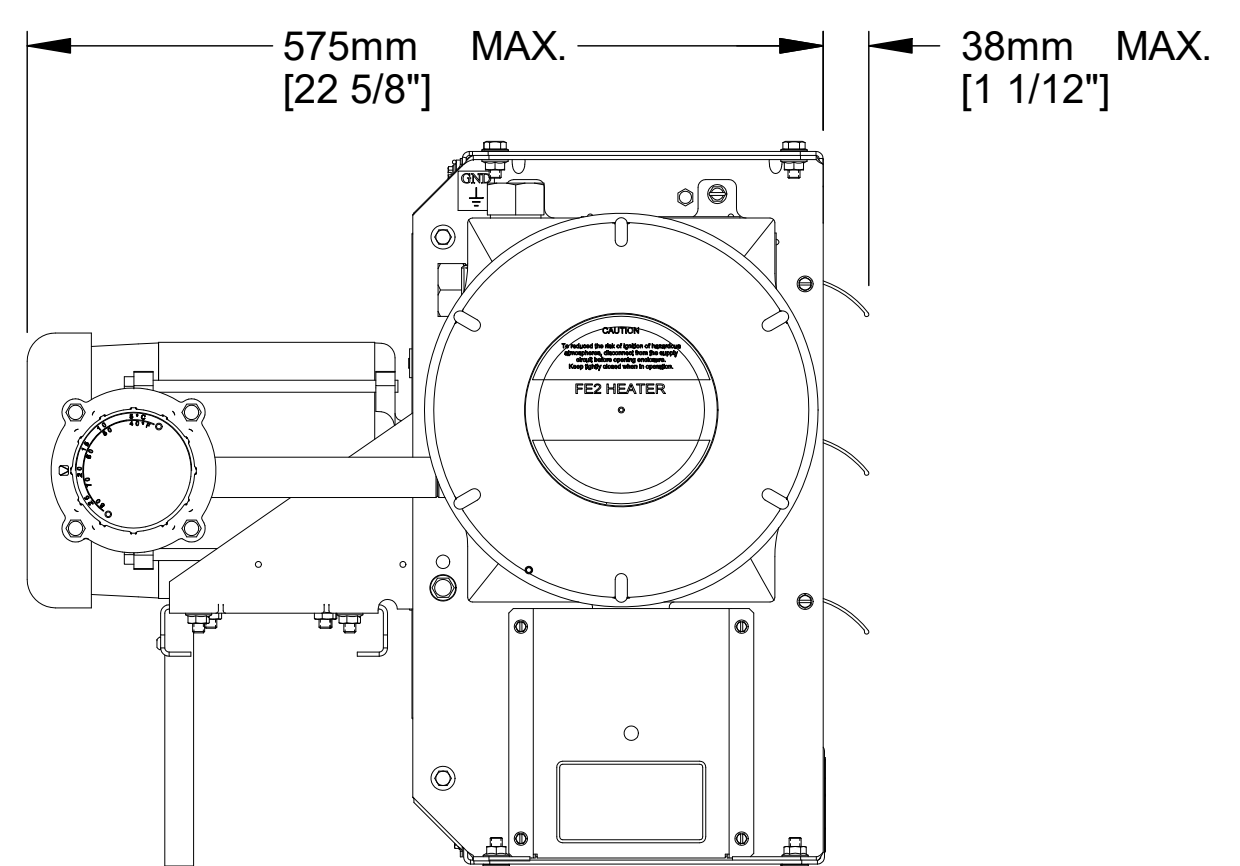
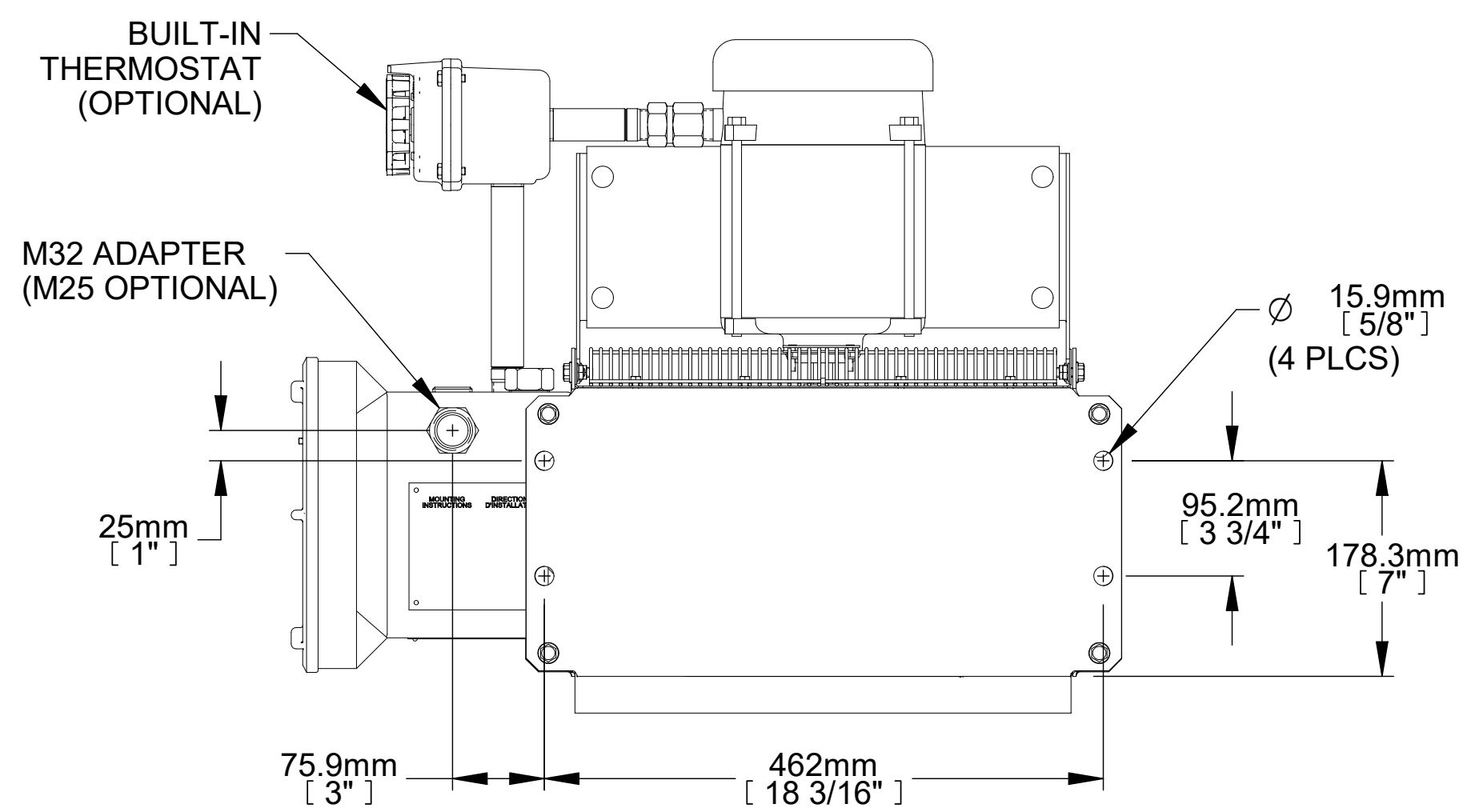


**TABLE 1 - TECHNICAL DATA (50HZ)**

MODEL	OUTPUT (kW)	VOLTAGE (VOLTS)	FREQ. (Hz)	PHASE	CURRENT (AMPS)	AIR FLOW (M³/HR)
FE2-220150-025	2.5	220	50	1	11.4	679
FE2-220150-042	4.2				11.1	
FE2-220150-063	6.3				28.6	
FE2-220150-084	8.4	38.2			1189	
FE2-230150-028	2.8	230			12.0	679
FE2-230150-046	4.6				20.0	
FE2-230150-069	6.9			29.9	1189	
FE2-240150-030	3.0	240		12.4	679	
FE2-240150-050	5.0			20.8		
FE2-240150-075	7.5			31.2	1189	
FE2-240150-100	10.0	380		41.7	679	
FE2-380350-025	2.5			3.8		
FE2-380350-046	4.6		6.4	679		
FE2-380350-063	6.3	9.6	1189			
FE2-380350-084	8.4	12.8				
FE2-400350-028	2.8	400		4.1	679	
FE2-400350-046	4.6		6.6			
FE2-400350-093	9.3		13.4	1189		
FE2-415350-037	3.7	415	5.1	679		
FE2-415350-075	7.5		10.4			
FE2-440350-042	4.2		440	5.5	679	
FE2-440350-084	8.4	11.0				

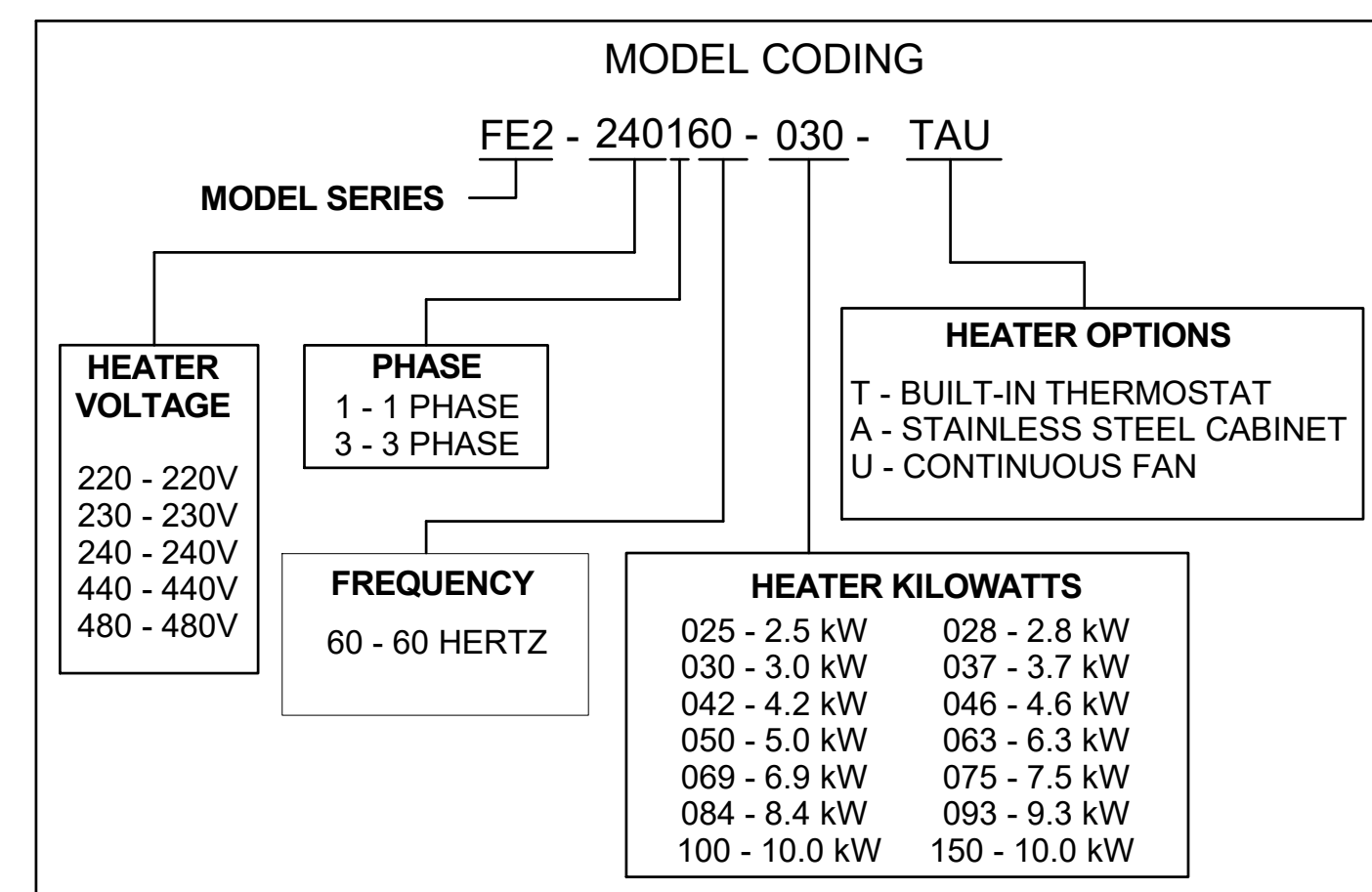
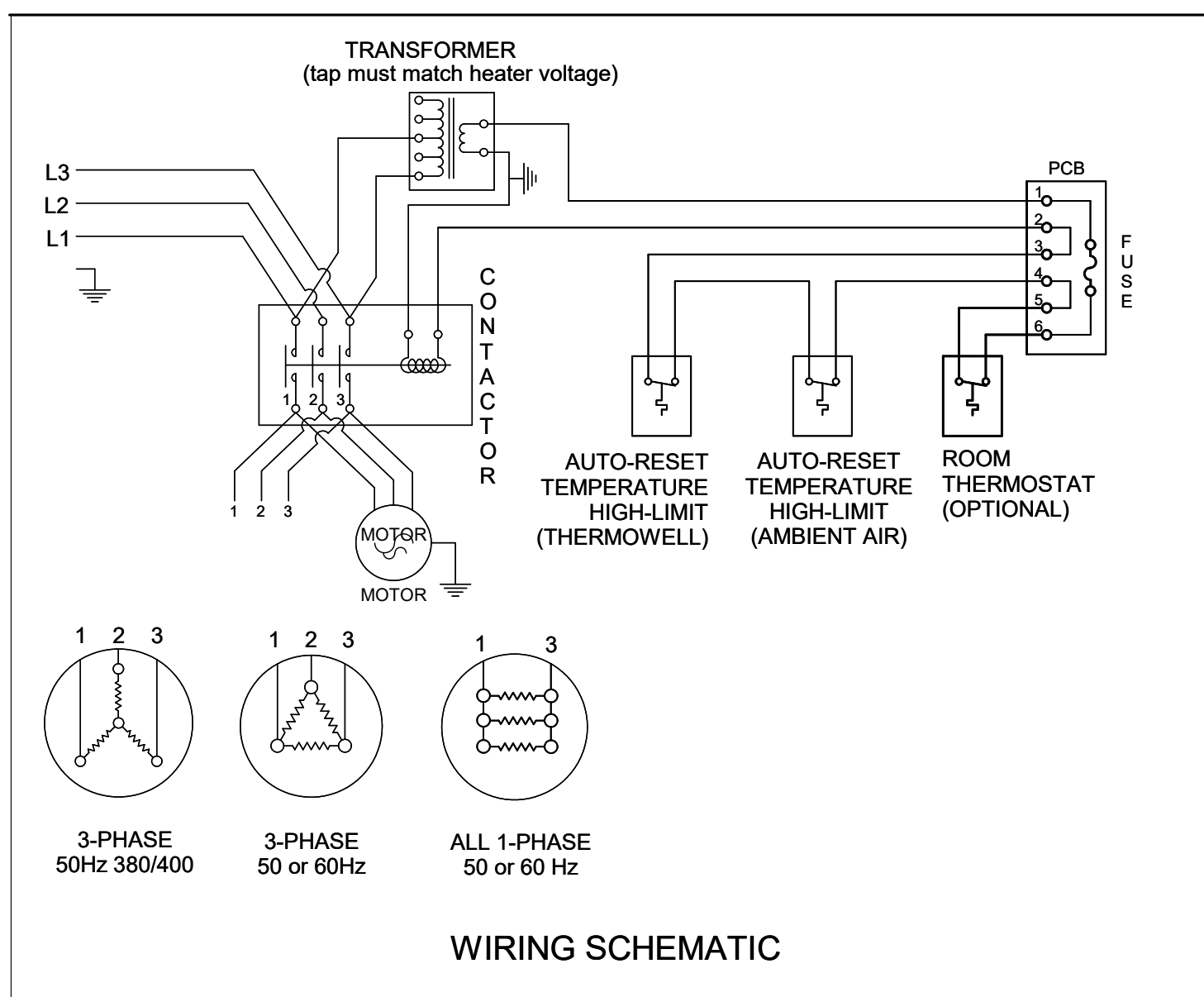


**NOTES:**

- NET WEIGHT: 64 KG
- SHIPPING WEIGHT: 88 KG
- OPERATING AMBIENT TEMP: -20° TO +40°C
- HAZARDOUS LOCATION CLASSIFICATION: Ex II 2 G Ex d IIB T3 Gb
- TEMPERATURE CLASS: T3 200°C
- MATERIALS: CABINET: 12 GA. EPOXY POWDER COATED RUFFNECK GREEN

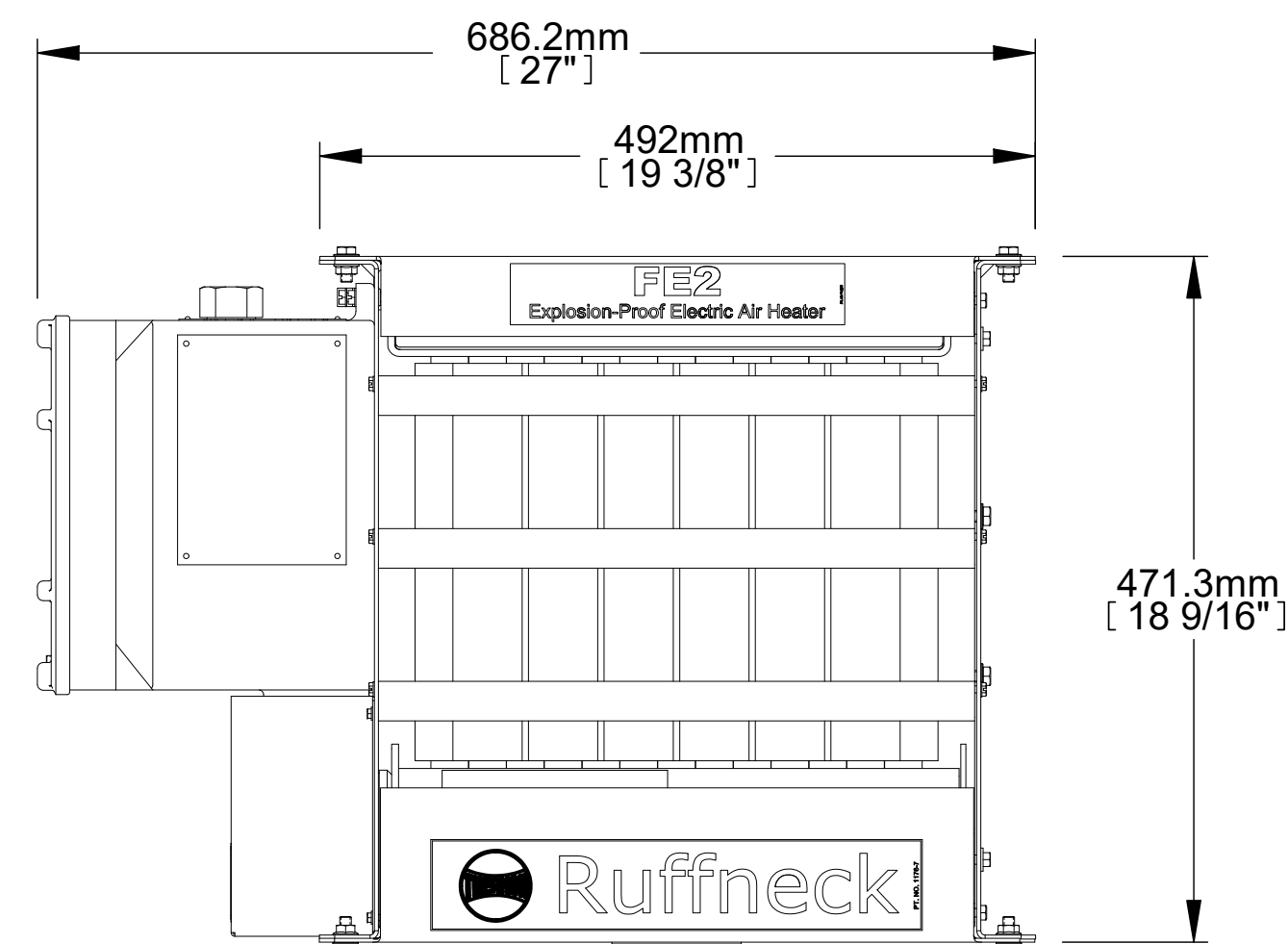
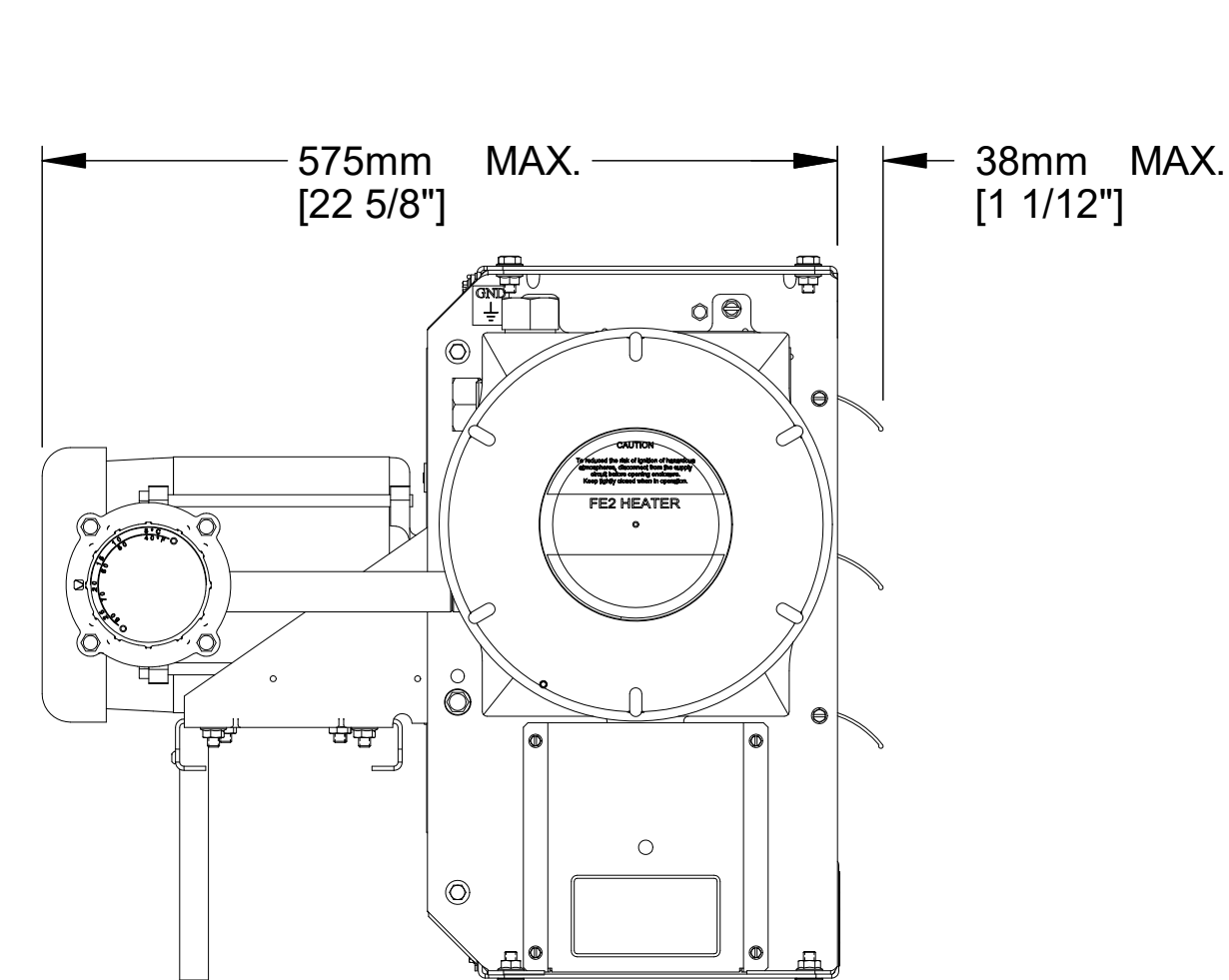
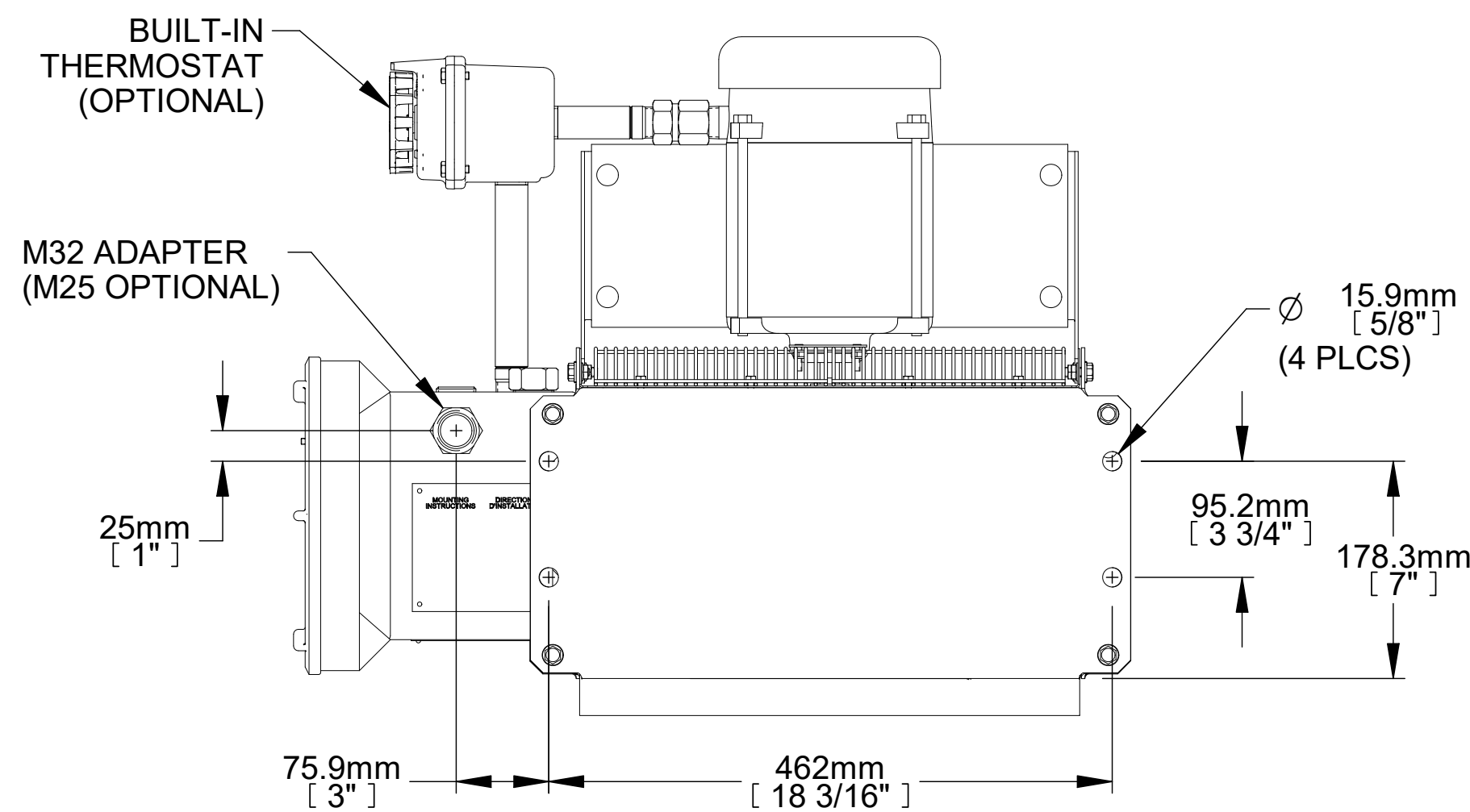
CORE: STEEL WITH INTEGRAL ALUMINUM FINNS

REV.	REVISION DESCRIPTION	DATE	BY
TITLE: FE2 RUFFNECK HEATER DATA SHEET 2.5 - 10.0 KW @ 50 HZ			
DWG NO.: 11522-D SHEET: 1 of 2		TOLERANCE UNLESS NOTED OTHERWISE	
SYTLINE NO.: N/A		± 1/2"	± N/A
SCALE: N.T.S.		ANGULAR	DECIMAL
DRN BY: nsanchez		± 1/8"	± 3 mm
CHK'D BY:		FRACTIONAL	METRIC
APP'D. BY:			
06 Aug 2010			



**TABLE 1 - TECHNICAL DATA (60HZ)**

MODEL	OUTPUT (kW)	VOLTAGE (VOLTS)	FREQ. (Hz)	PHASE	CURRENT (AMPS)	AIR FLOW (M³/HR)	
FE2-220160-025	2.5	220	60	1	11.4	850	
FE2-220160-042	4.2				11.1		
FE2-220160-063	6.3				28.6		
FE2-220160-084	8.4	38.2			1444		
FE2-230160-028	2.8	12.0					
FE2-230160-046	4.6	20.0			850		
FE2-230160-069	6.9	29.9		1444			
FE2-240160-030	3.0	240		1	12.4	850	
FE2-240160-050	5.0				20.8		
FE2-240160-075	7.5				31.2		
FE2-240160-100	10.0	41.7			1444		
FE2-380360-025	2.5	380			60	3	3.8
FE2-380360-046	4.6		6.4				
FE2-380360-063	6.3		9.6				
FE2-380360-084	8.4	12.8	1444				
FE2-400360-028	2.8	4.1					
FE2-400360-046	4.6	6.6	850				
FE2-400360-093	9.3	13.4	1444				
FE2-415360-037	3.7	415	3	5.1		850	
FE2-415360-075	7.5			10.4			
FE2-440360-042	4.2			5.5		850	
FE2-440360-084	8.4	11.0		1444			



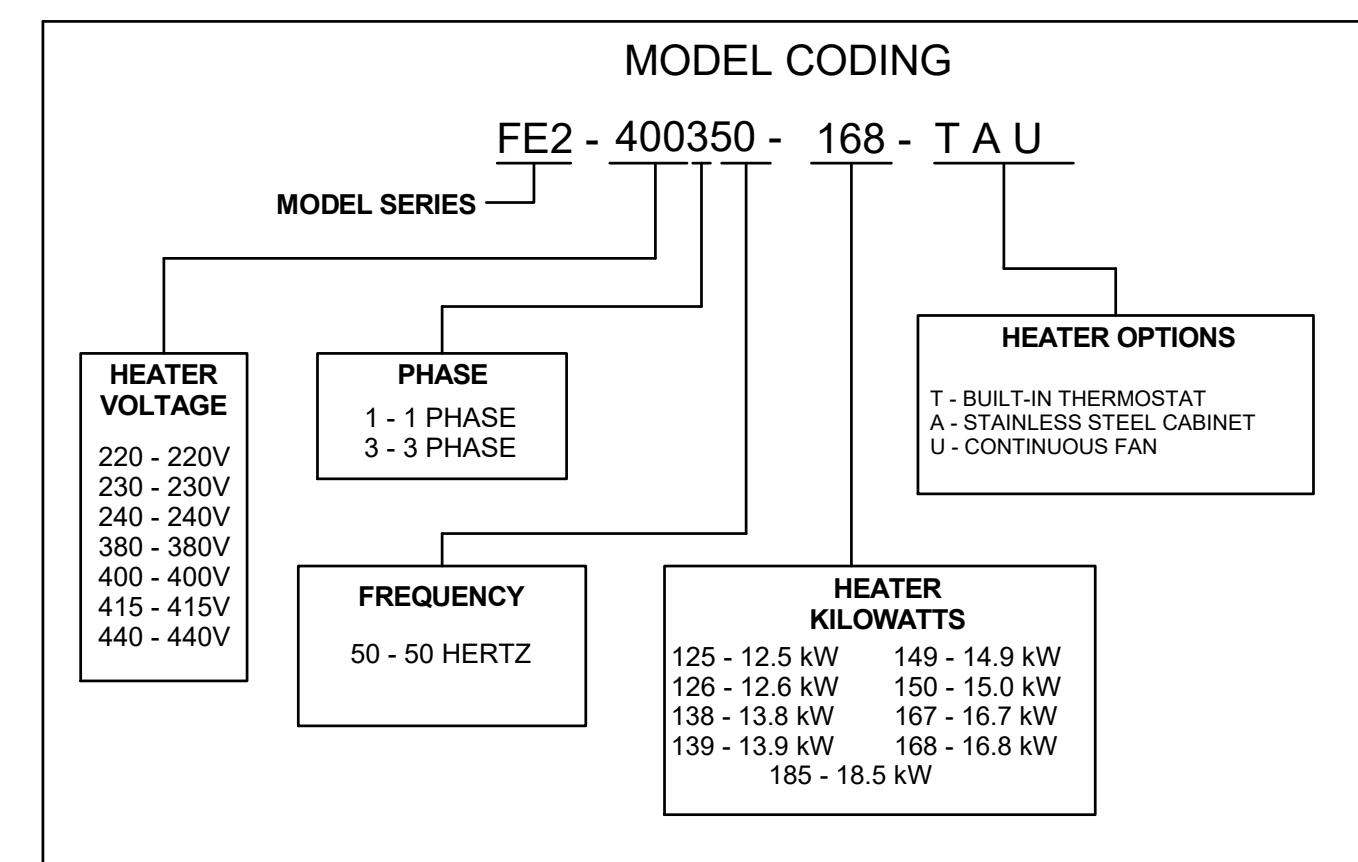
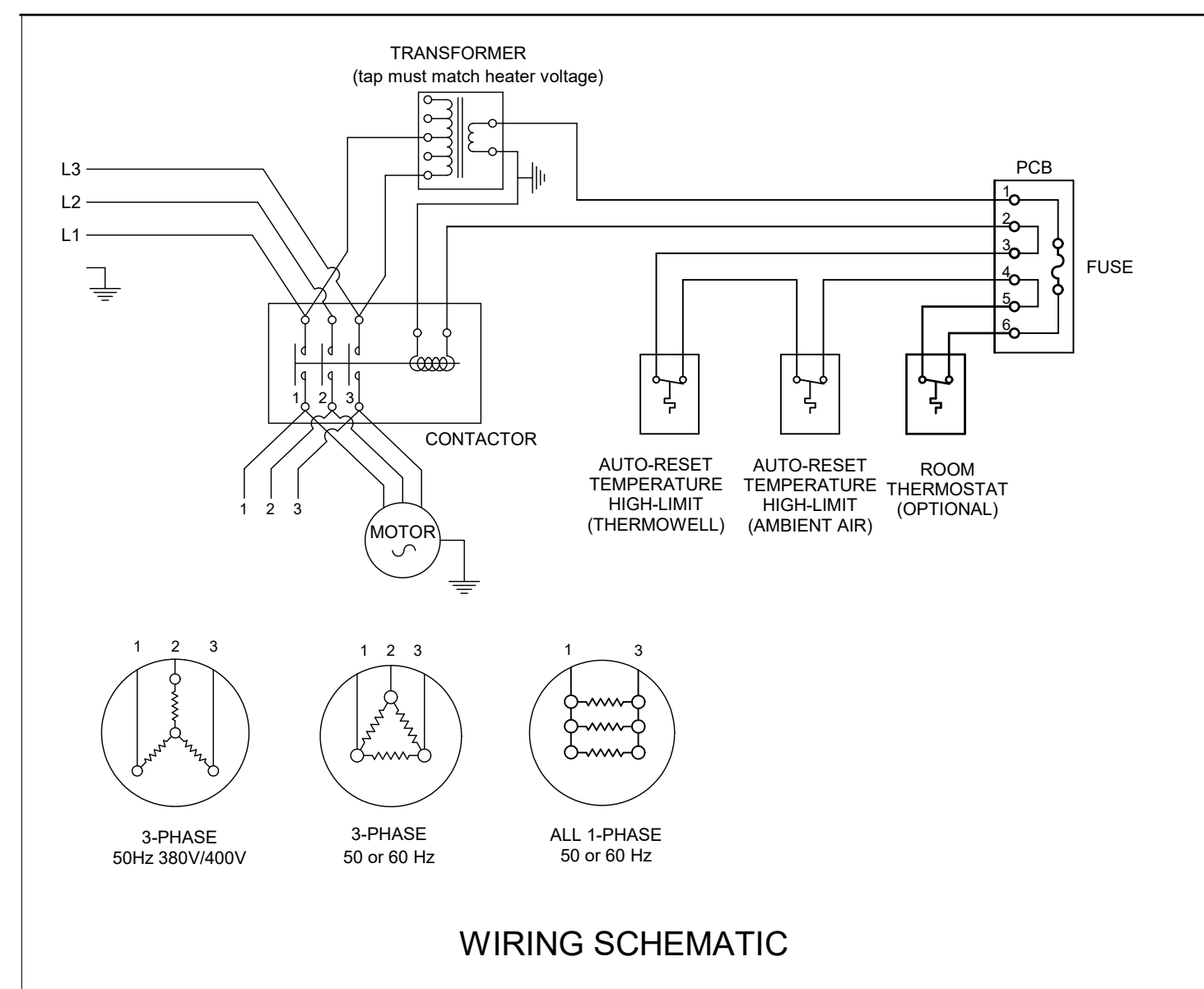
**NOTES:**

- NET WEIGHT: 64 KG
- SHIPPING WEIGHT: 88 KG
- OPERATING AMBIENT TEMP: -20° TO +40°C
- HAZARDOUS LOCATION CLASSIFICATION: Ex II 2 G Ex d IIB T3 Gb
- TEMPERATURE CLASS: T3 200°C
- MATERIALS: CABINET: 12 GA. EPOXY POWDER COATED RUFFNECK GREEN

CORE: STEEL WITH INTEGRAL ALUMINUM FINS

REV.	REVISION DESCRIPTION	DATE	BY
TITLE: FE2 RUFFNECK HEATER DATA SHEET 2.5 - 10.0 KW @ 60 HZ			
DWG NO.: 11522-D SHEET: 2 of 2		TOLERANCE UNLESS NOTED OTHERWISE	
SYTLINE NO.: N/A		± 1/2° ANGULAR	± N/A DECIMAL
SCALE: N.T.S.		± 1/8" FRACTIONAL	± 3 mm METRIC
DRN BY: nsanchez		06 Aug 2010	
CHK'D BY:			
APP'D. BY:			





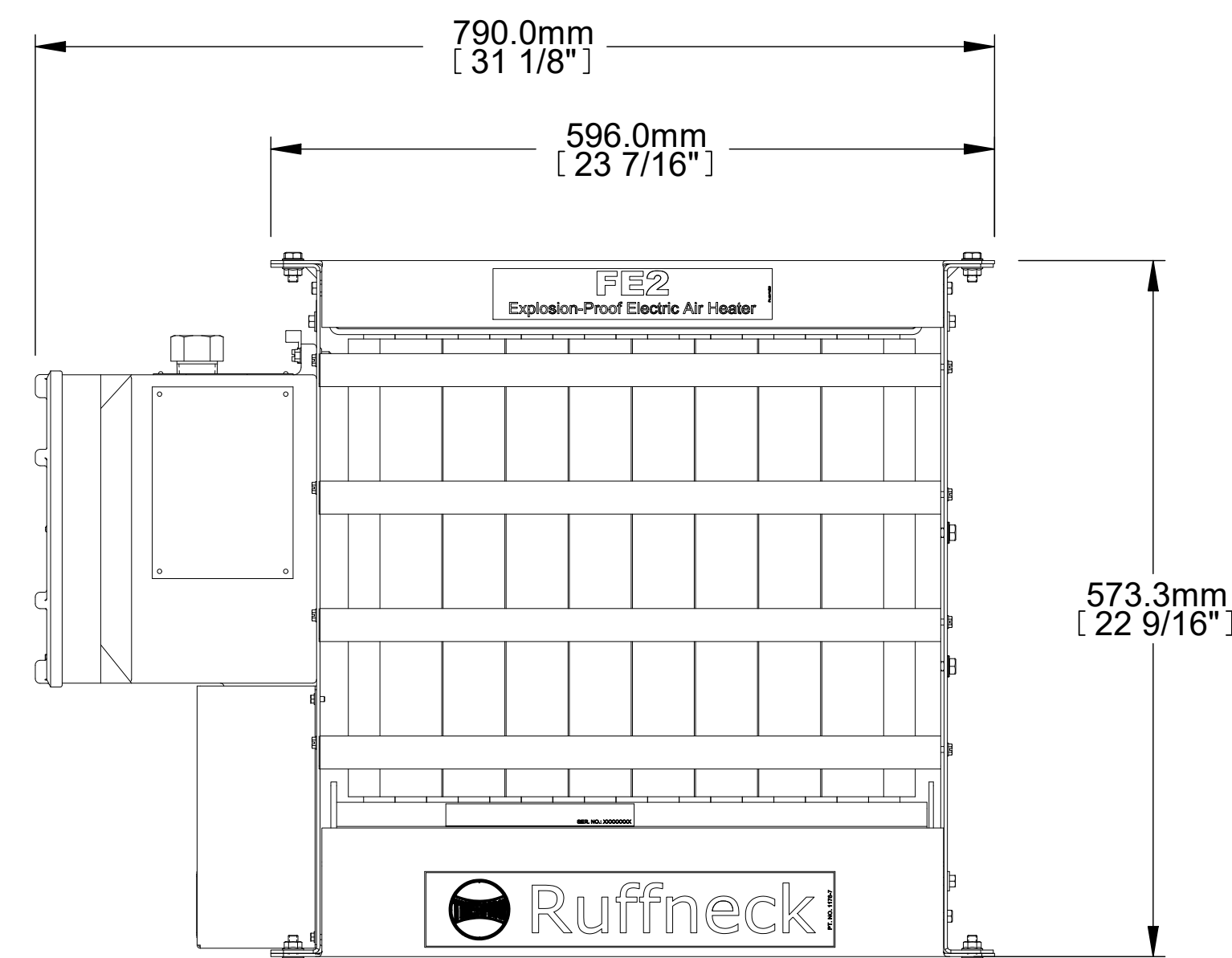
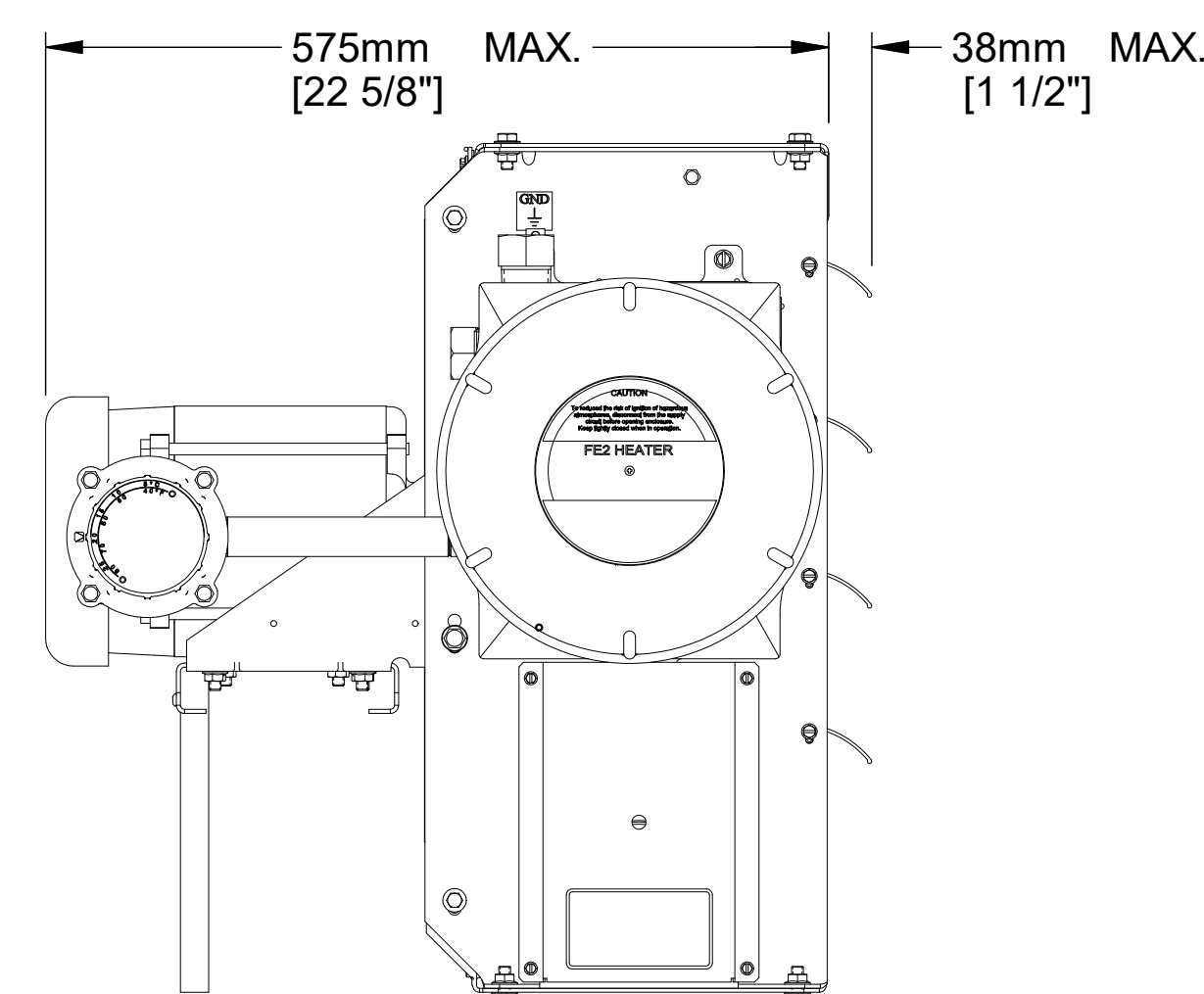
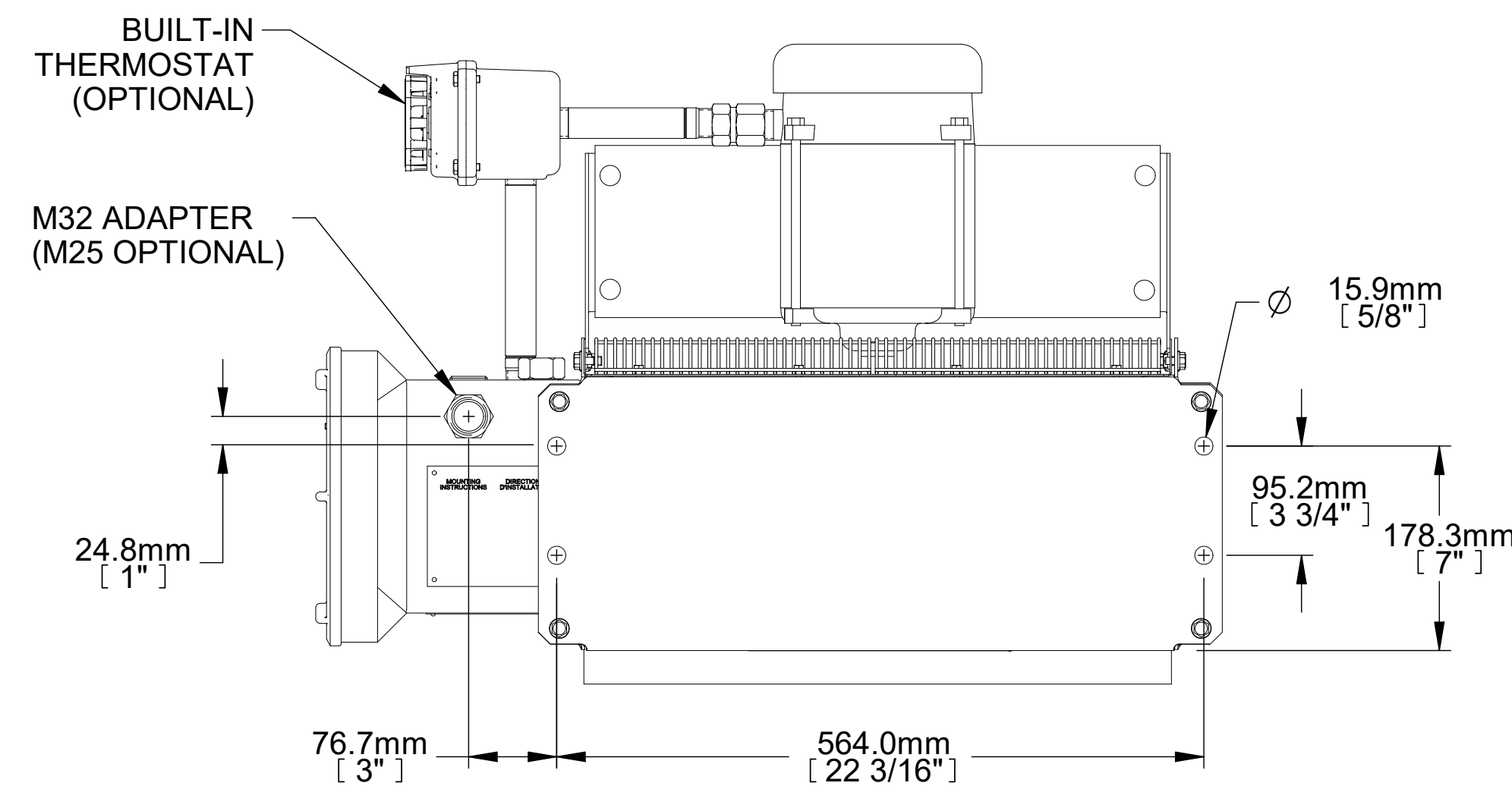
**TABLE 1 - TECHNICAL DATA (50HZ)**

MODEL	OUTPUT (kW)	VOLTAGE (VOLTS)	FREQ. (Hz)	PHASE	CURRENT (AMPS)	AIR FLOW (M³/HR)
FE2-220150-126	12.6	220	50	1	57.3	2463
FE2-230150-138	13.8	230			59.9	
FE2-240150-150	15.0	240			62.5	
FE2-380350-125	12.5	380		3	19.0	
FE2-380350-167	167	380			25.4	
FE2-400350-139	13.9	400			20.1	
FE2-400350-185	18.5	400			26.7	
FE2-415350-149	14.9	415			20.7	
FE2-440350-168	16.8	440			22.0	

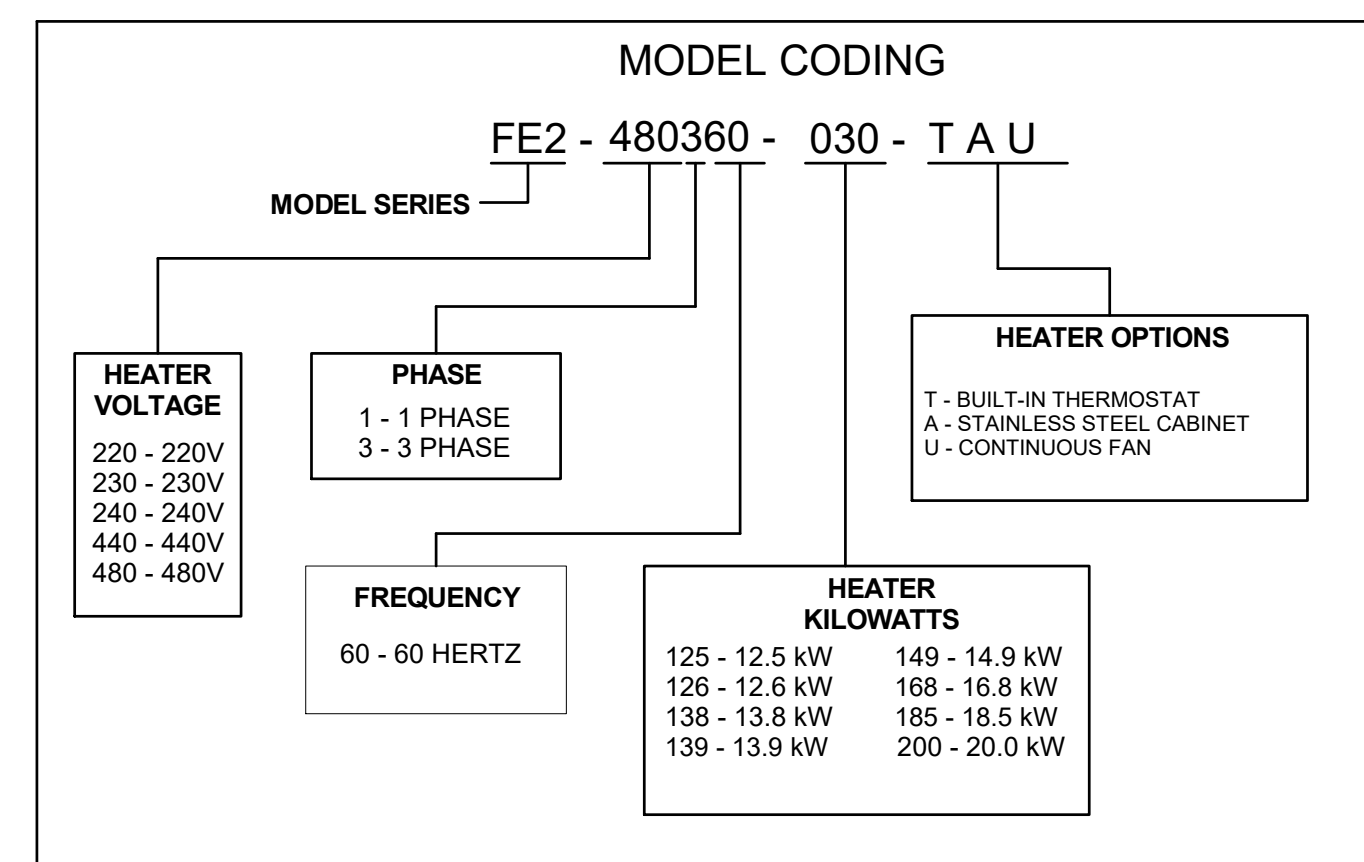
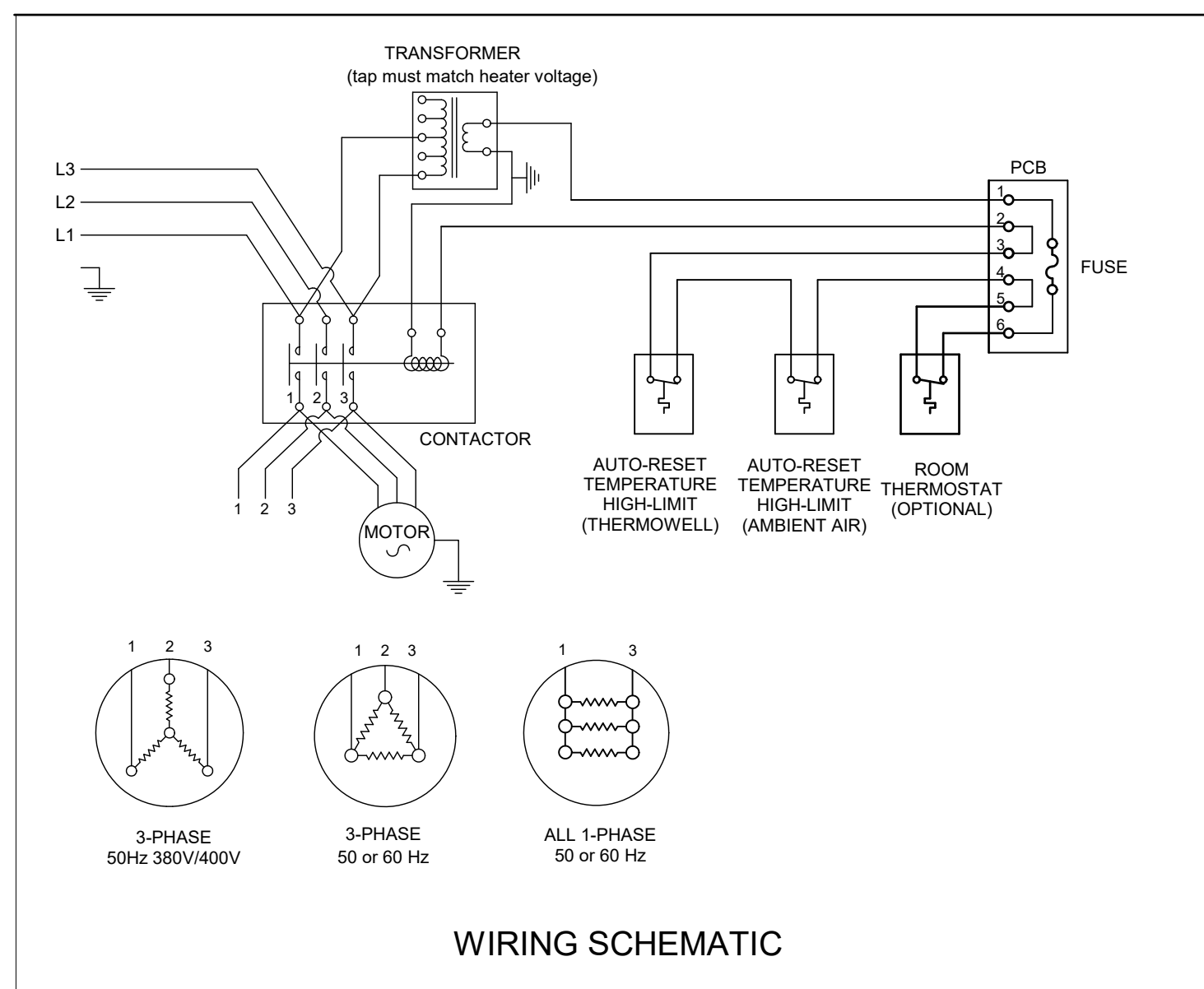
**NOTES:**

- NET WEIGHT: 76 KG
- SHIPPING WEIGHT: 99 KG
- OPERATING AMBIENT TEMP: -20° TO +40°C
- HAZARDOUS LOCATION CLASSIFICATION: Ex II 2 G Ex d IIB T3 Gb
- TEMPERATURE CLASS: T3 200°C
- AIR DELIVERY: 2463 m³/hr @ 21°C (NOMINAL)
- MATERIALS: CABINET: 12 GA. EPOXY POWDER COATED RUFFNECK GREEN

CORE: STEEL WITH INTEGRAL ALUMINUM FINS



REV.	REVISION DESCRIPTION	DATE	BY
TITLE: FE2 RUFFNECK HEATER DATA SHEET 12.5 - 20.0 kW @ 50 Hz			
DWG NO.: 11525-D SHEET: 1 OF 2		TOLERANCE UNLESS NOTED OTHERWISE	
SYTLINE NO.: N/A		± 1/2"	± N/A
SCALE: NONE		ANGULAR	DECIMAL
DRN BY: nsanchez		± 1/8"	± 3 mm
CHK'D BY:		FRACTIONAL	METRIC
APP'D. BY:			
10 Aug 2010			



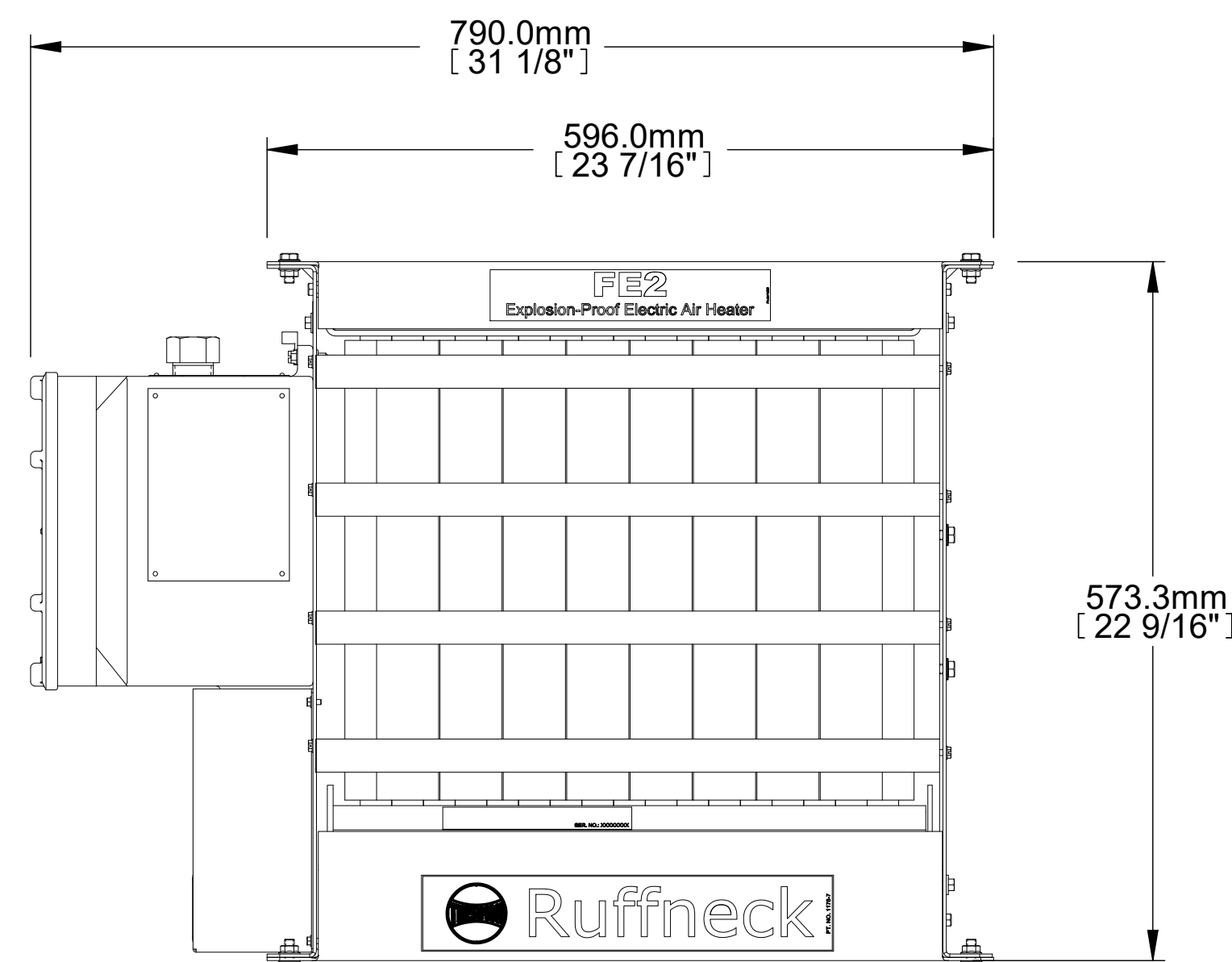
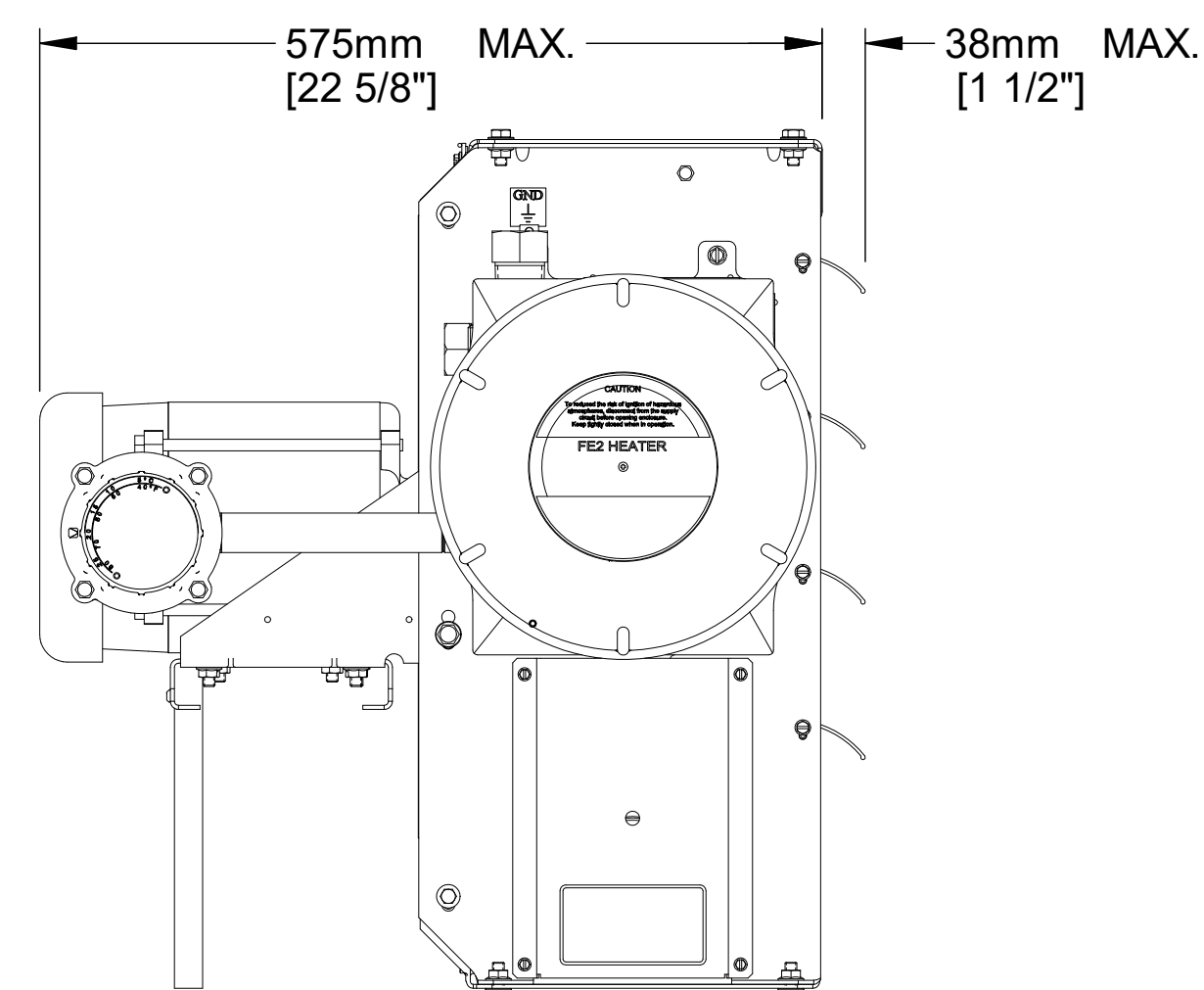
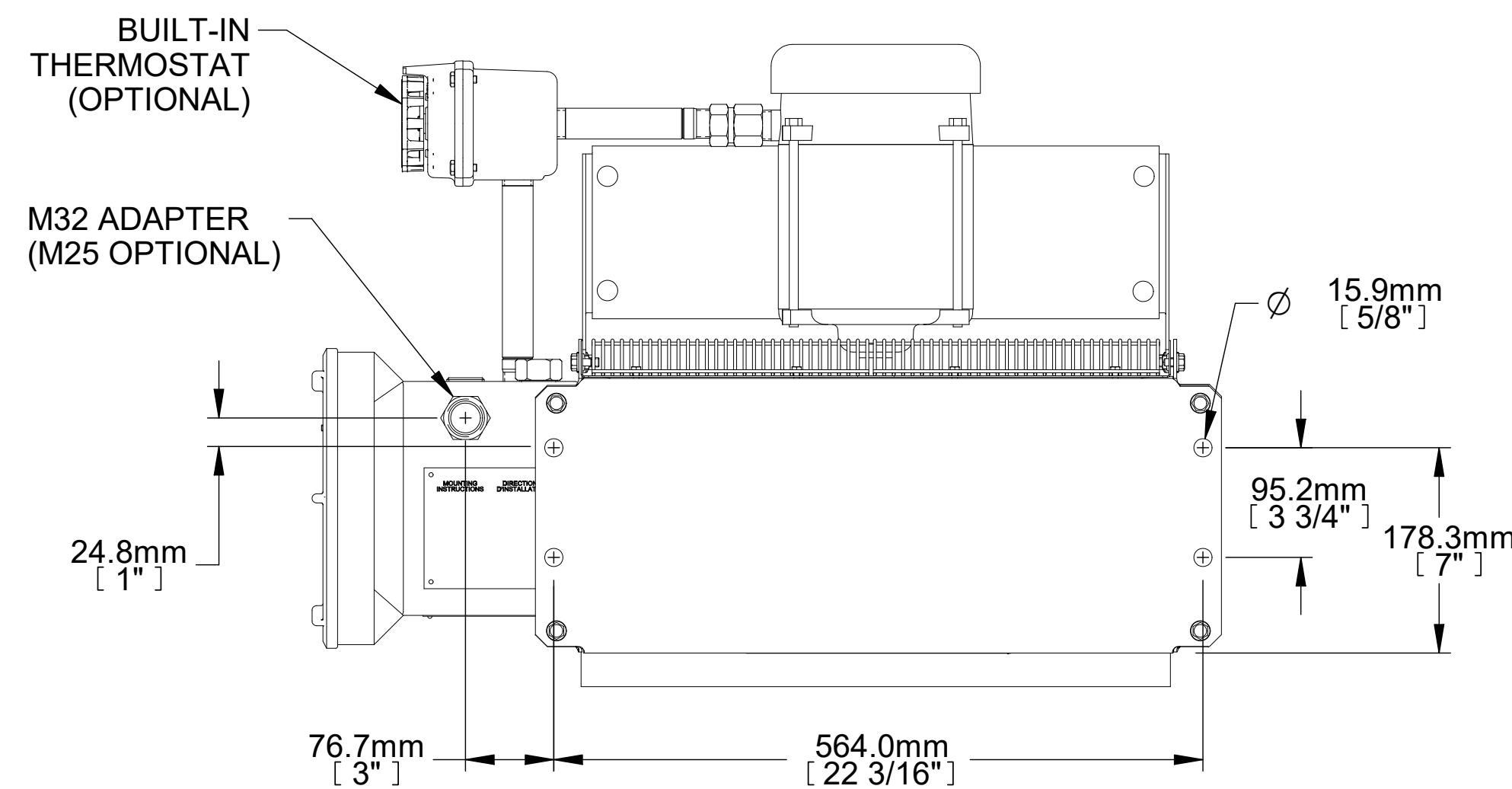
**TABLE 1 - TECHNICAL DATA (60HZ)**

MODEL	OUTPUT (kW)	VOLTAGE (VOLTS)	FREQ. (Hz)	PHASE	CURRENT (AMPS)	AIR FLOW (M <sup>3</sup> /HR)
FE2-220160-126	12.6	220	60	1	57.3	2973
FE2-230160-138	13.8	230			59.9	
FE2-240160-150	15.0	240			62.5	
FE2-440360-168	16.8	440		3	22.0	
FE2-480360-150	15.0	480			18.0	
FE2-480360-200	20.0				24.1	

**NOTES:**

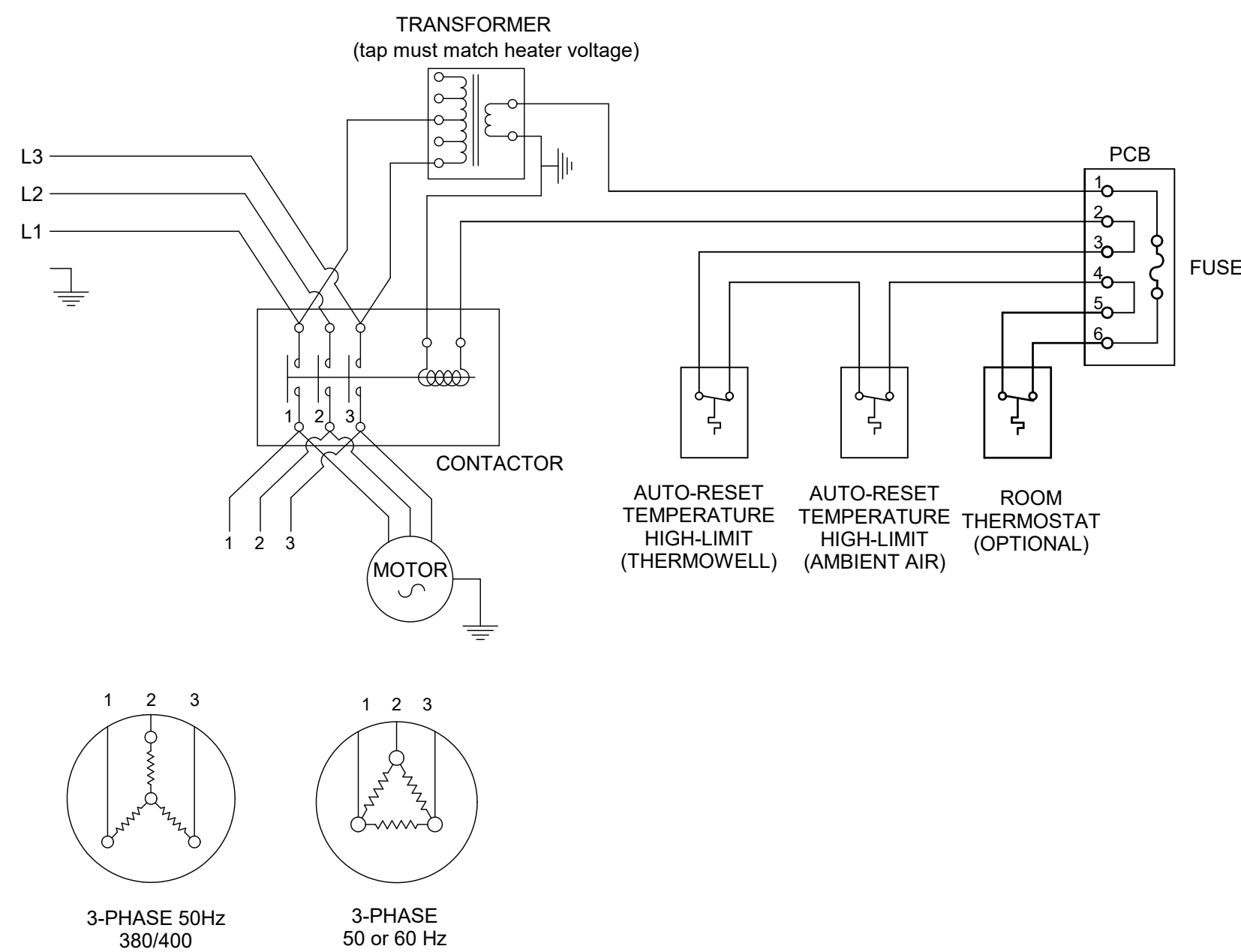
- NET WEIGHT: 76 KG
- SHIPPING WEIGHT: 99 KG
- OPERATING AMBIENT TEMP: -20° TO +40°C
- HAZARDOUS LOCATION CLASSIFICATION: Ex II 2 G Ex d IIB T3 Gb
- TEMPERATURE CLASS: T3 200°C
- AIR DELIVERY: 2973 m<sup>3</sup>/hr @ 21°C (NOMINAL)
- MATERIALS: CABINET: 12 GA. EPOXY POWDER COATED RUFFNECK GREEN

CORE: STEEL WITH INTEGRAL ALUMINUM FINS



REV.	REVISION DESCRIPTION	DATE	BY
TITLE: FE2 RUFFNECK HEATER DATA SHEET 12.5 - 20.0 kW @ 60 Hz			
DWG NO.: 11525-D SHEET: 2 OF 2		TOLERANCE UNLESS NOTED OTHERWISE	
± 1/2°	± N/A	± 1/8"	± 3 mm
ANGULAR	DECIMAL	FRACTIONAL	METRIC
SCALE: NONE		DRN BY: nsanchez 10 Aug 2010	
CHK'D BY:		APP'D. BY:	





WIRING SCHEMATIC

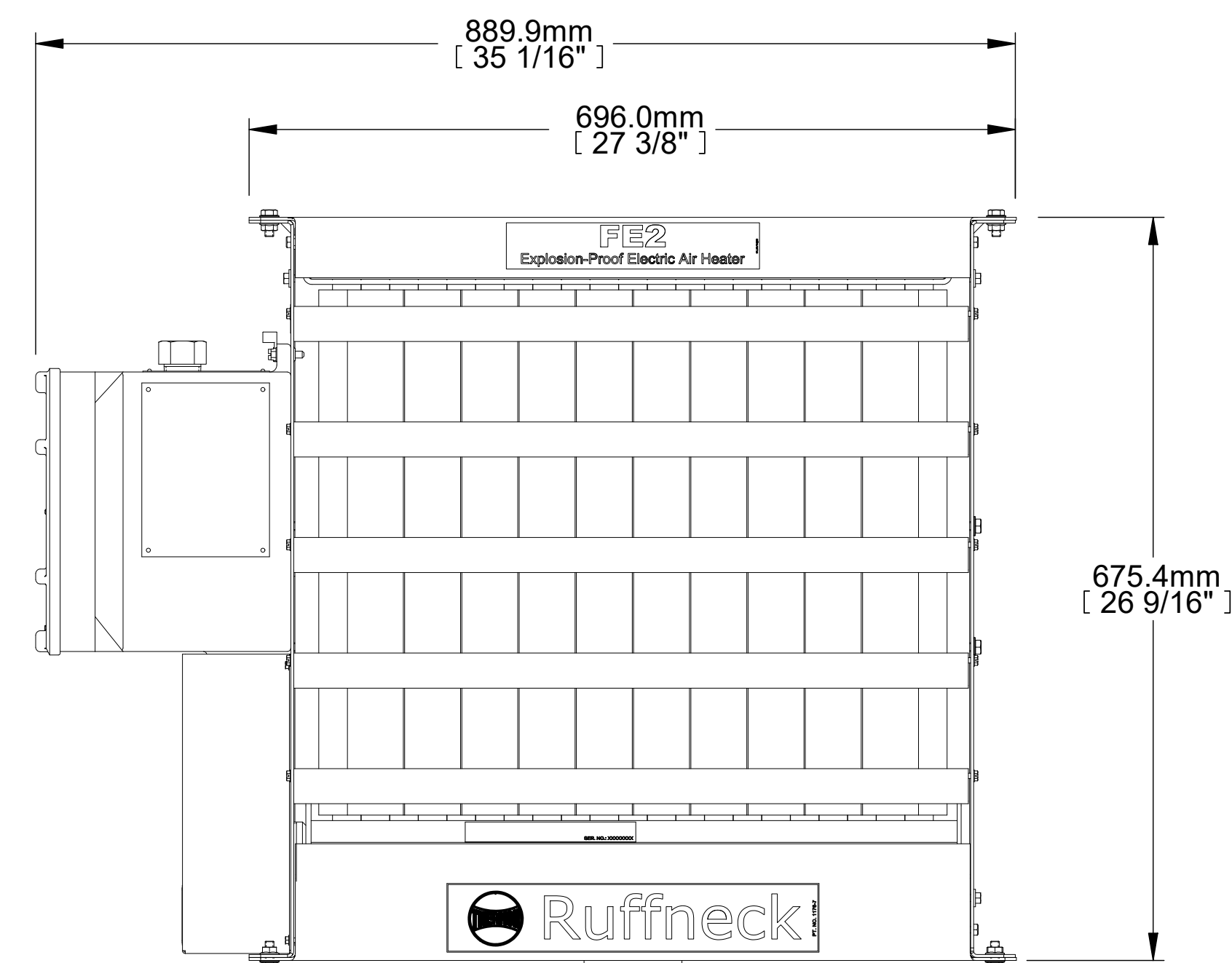
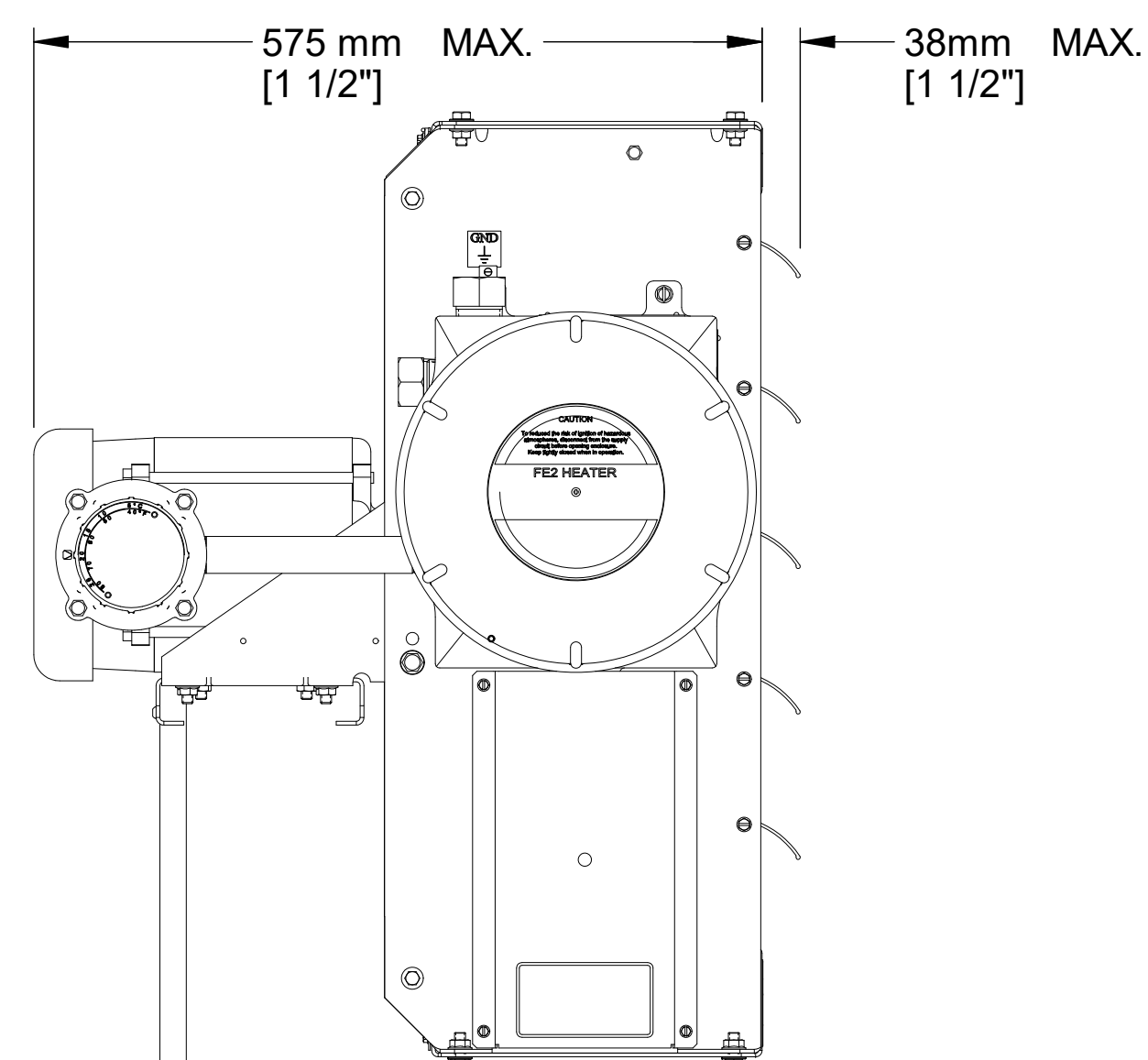
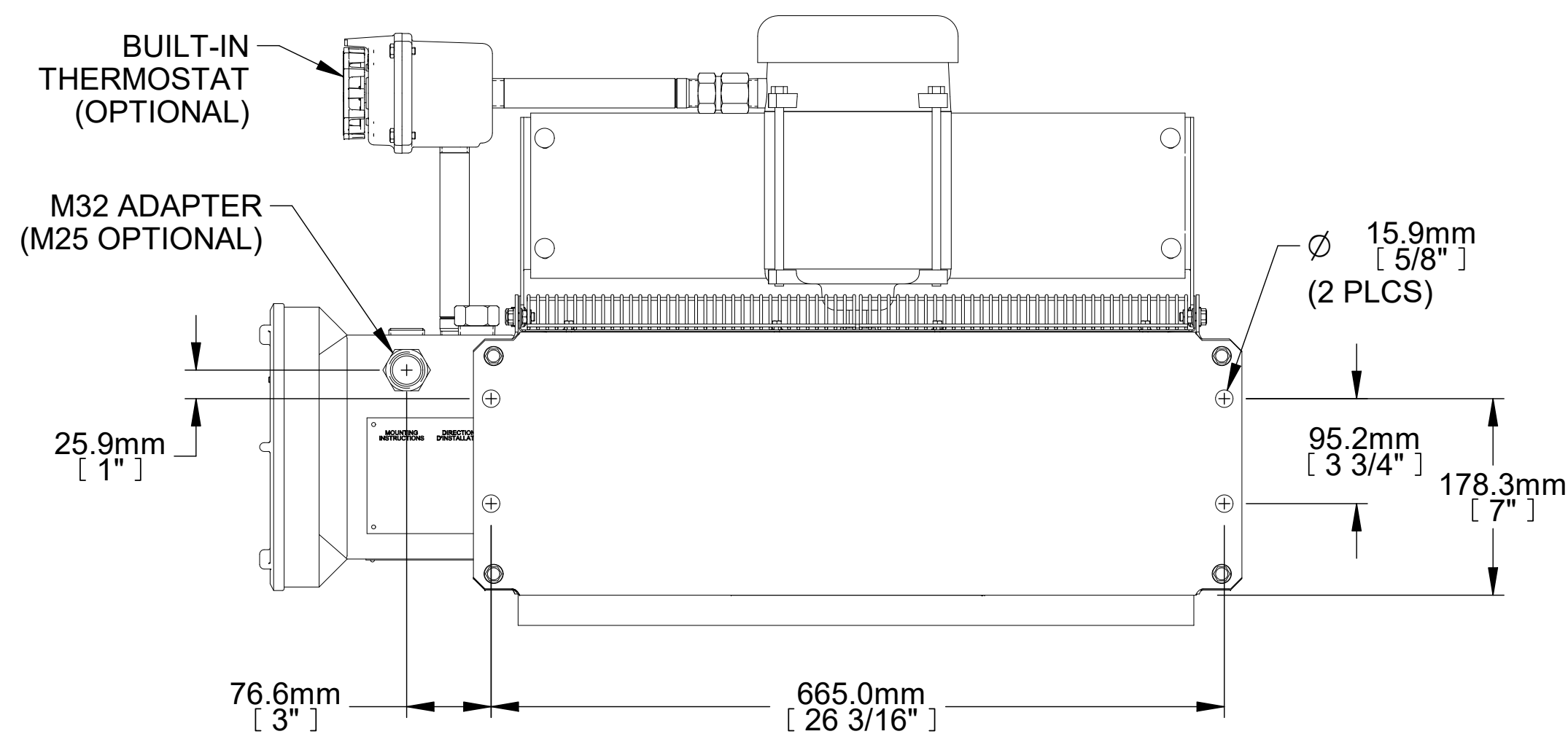
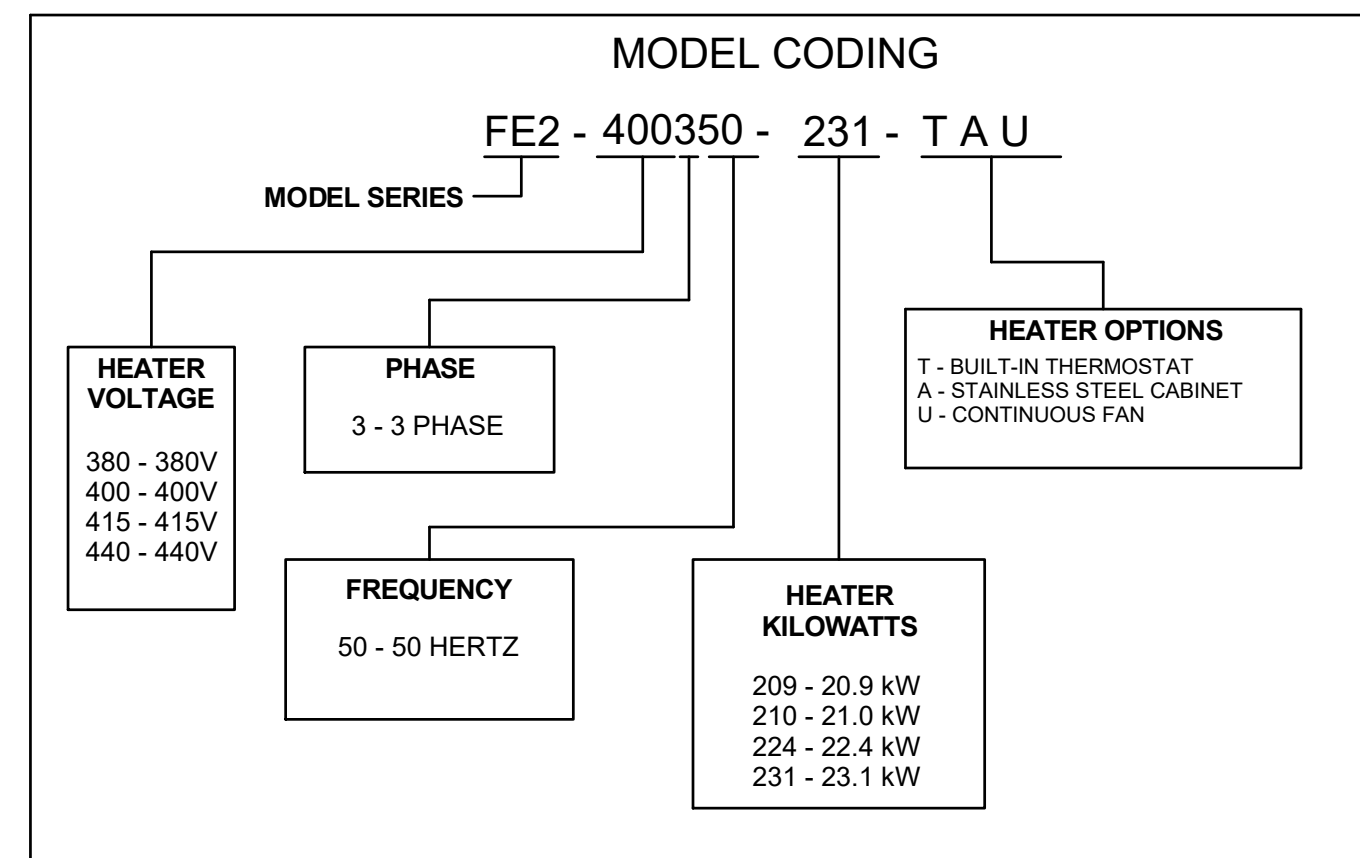


TABLE 1 - TECHNICAL DATA (50HZ)

MODEL	OUTPUT (kW)	VOLTAGE (VOLTS)	FREQ. (Hz)	PHASE	CURRENT (AMPS)	AIR FLOW (M <sup>3</sup> /HR)
FE2-380350-209	20.9	380	50	3	31.8	5096
FE2-400350-231	23.1	400			33.3	
FE2-415350-224	22.4	415			31.2	
FE2-440350-210	21.0	440			27.6	

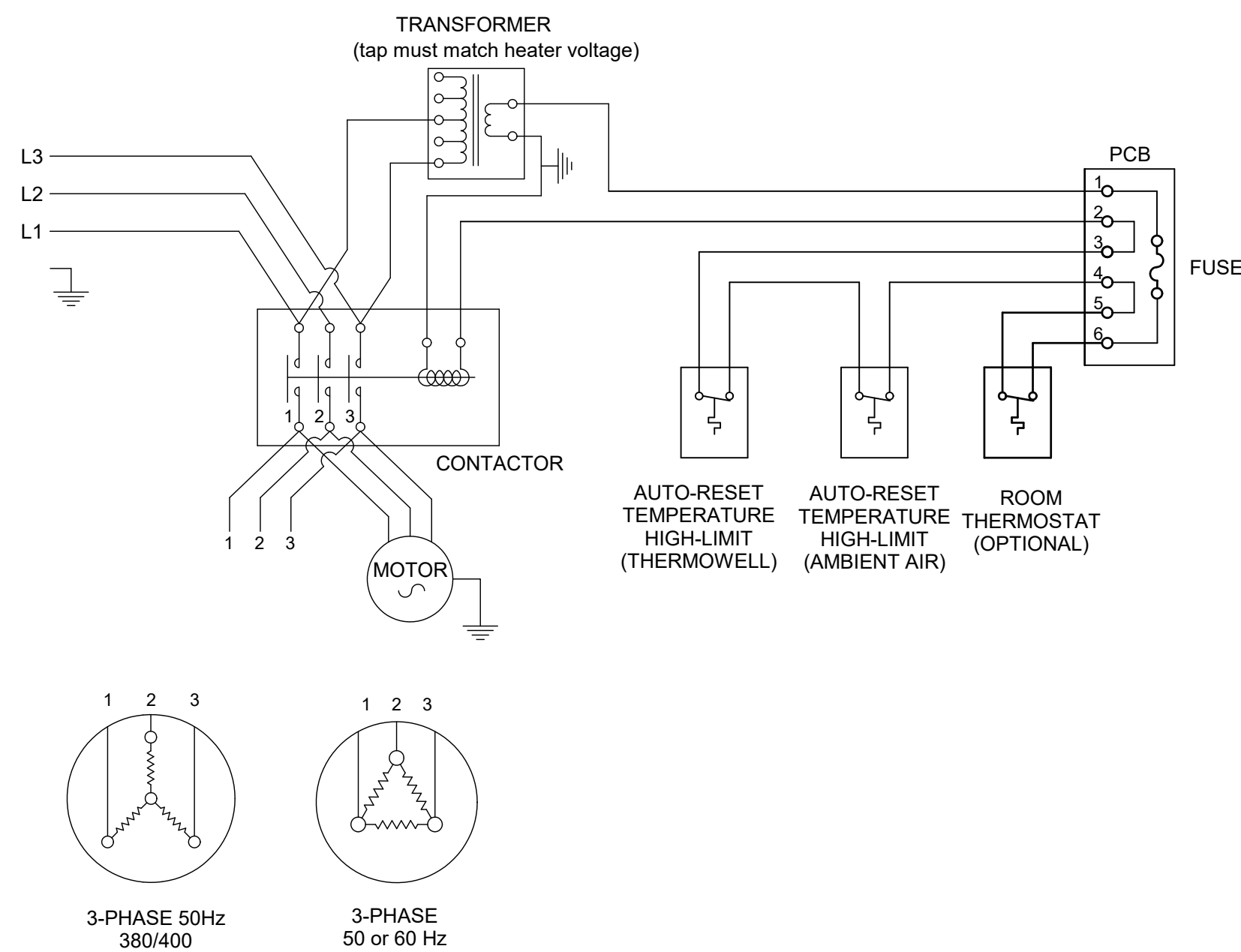
NOTES:

- NET WEIGHT: 91 KG
- SHIPPING WEIGHT: 114 KG
- OPERATING AMBIENT TEMP: -20° TO +40°C
- HAZARDOUS LOCATION CLASSIFICATION: Ex II 2 G Ex d IIB T3 Gb
- TEMPERATURE CLASS: T3 200°C
- AIR DELIVERY: 5096 m<sup>3</sup>/hr @ 21°C (NOMINAL)
- MATERIALS: CABINET: 12 GA. EPOXY POWDER COATED RUFFNECK GREEN

CORE: STEEL WITH INTEGRAL ALUMINUM FINS

REV.	REVISION DESCRIPTION	DATE	BY
TITLE: FE2 RUFFNECK HEATER DATA SHEET 20.9 - 23.1 kW @ 50 Hz			
DWG NO.: 11526-D SHEET: 1 of 2		TOLERANCE UNLESS NOTED OTHERWISE	
SYTLINE NO.: N/A		± 1/2° ANGULAR	± N/A DECIMAL
SCALE: NONE		± 1/8" FRACTIONAL	± 3 mm METRIC
DRN BY: nsanchez		10 Aug 2010	
CHK'D BY:			
APP'D. BY:			





WIRING SCHEMATIC

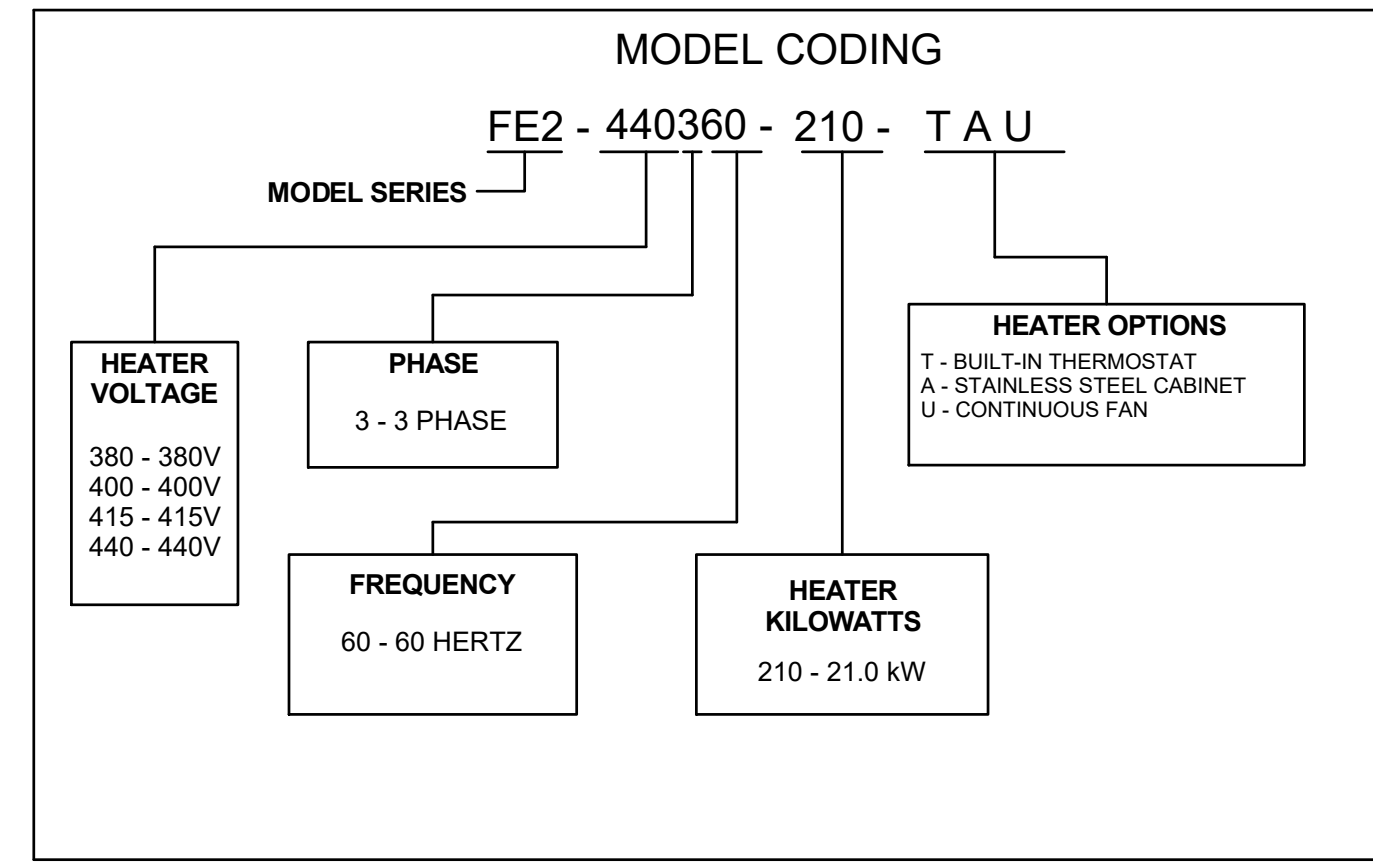


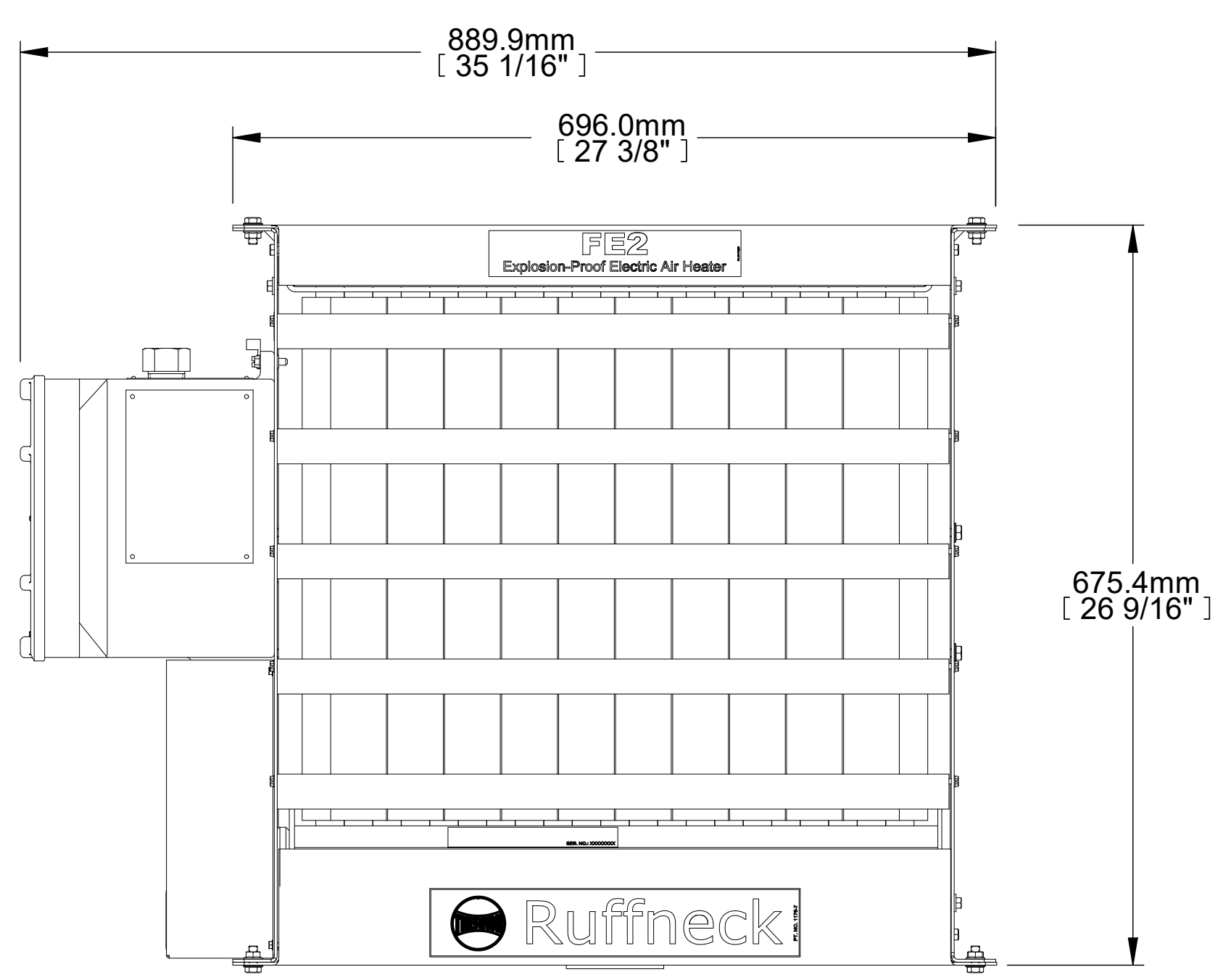
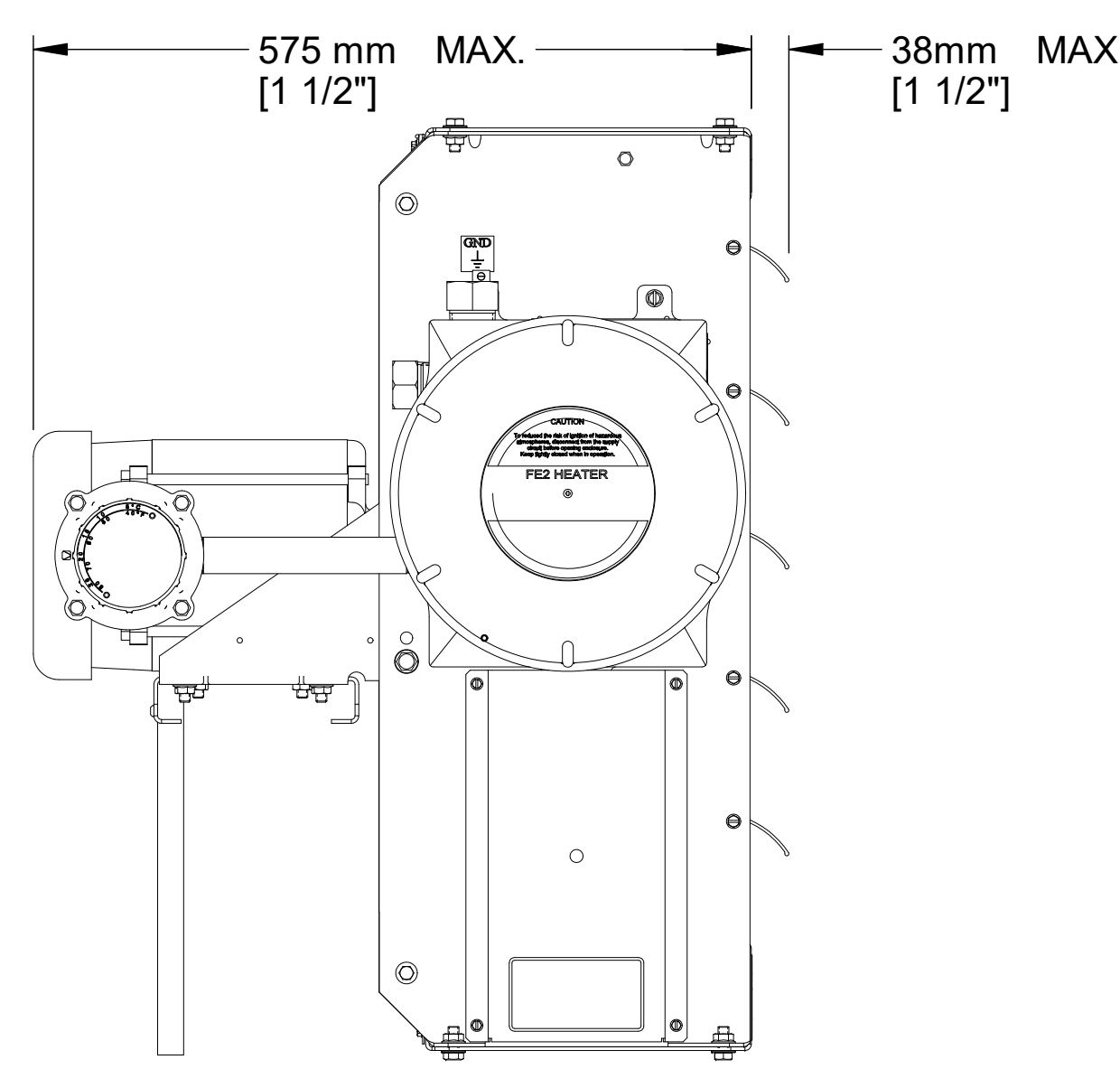
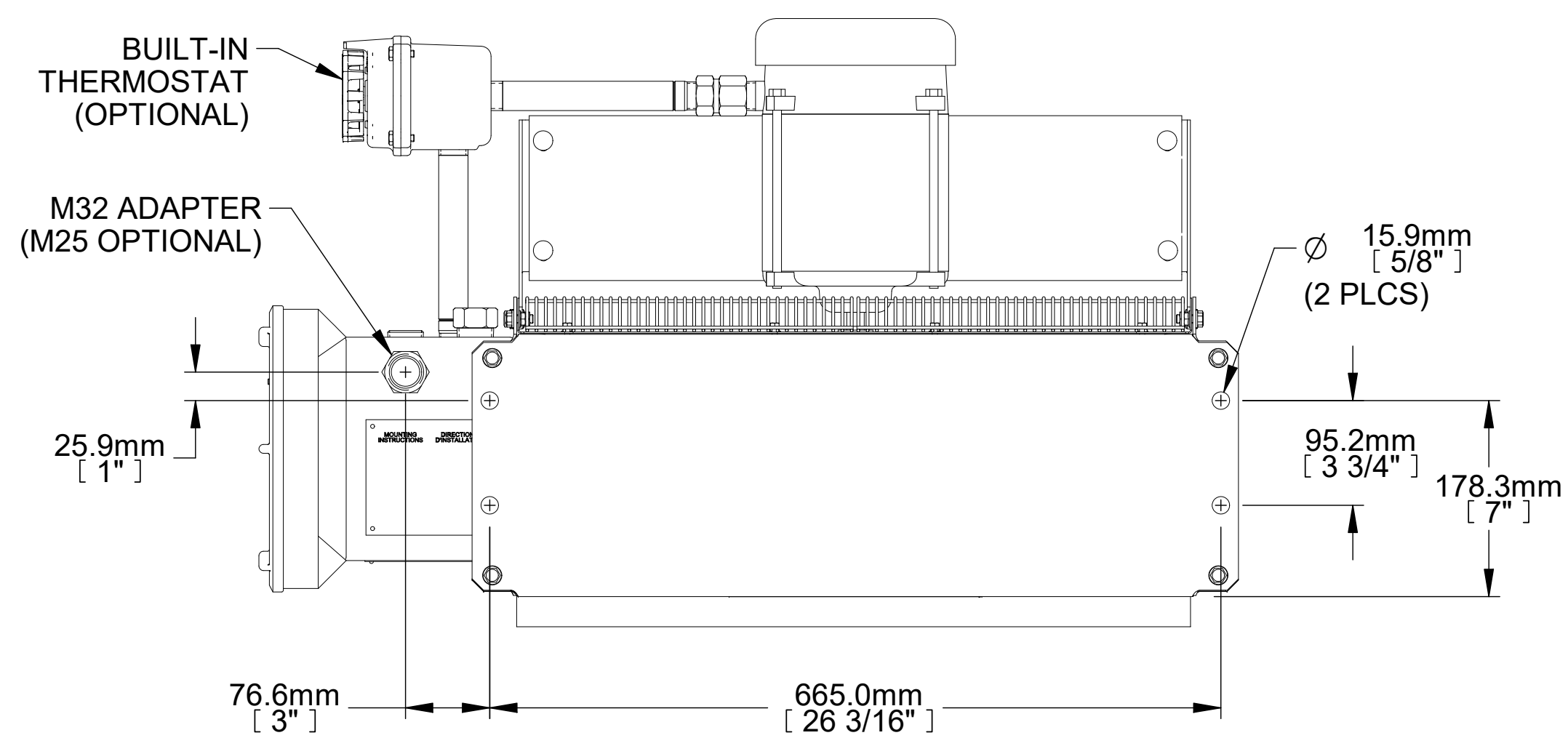
TABLE 1 - TECHNICAL DATA (60HZ)

MODEL	OUTPUT (kW)	VOLTAGE (VOLTS)	FREQ. (Hz)	PHASE	CURRENT (AMPS)	AIR FLOW (M <sup>3</sup> /HR)
FE2-440360-210	21.0	440	60	3	27.5	6116

**NOTES:**

- NET WEIGHT: 91 KG
- SHIPPING WEIGHT: 114 KG
- OPERATING AMBIENT TEMP: -20° TO +40°C
- HAZARDOUS LOCATION CLASSIFICATION: Ex II 2 G Ex d IIB T3 Gb
- TEMPERATURE CLASS: T3 200°C
- AIR DELIVERY: 6116 m<sup>3</sup>/hr @ 21°C (NOMINAL)
- MATERIALS: CABINET: 12 GA. EPOXY POWDER COATED RUFFNECK GREEN

CORE: STEEL WITH INTEGRAL ALUMINUM FINNS



REV.	REVISION DESCRIPTION	DATE	BY
TITLE: FE2 RUFFNECK HEATER DATA SHEET 20.9 - 23.1 kW @ 60 Hz			
DWG NO.: 11526-D SHEET:		TOLERANCE UNLESS NOTED OTHERWISE	
SYTLINE NO.: N/A		± 1/2° ANGULAR	± N/A DECIMAL
SCALE: NONE		± 1/8" FRACTIONAL	± 3 mm METRIC
DRN BY: nsanchez		10 Aug 2010	
CHK'D BY:			
APP'D. BY:			

