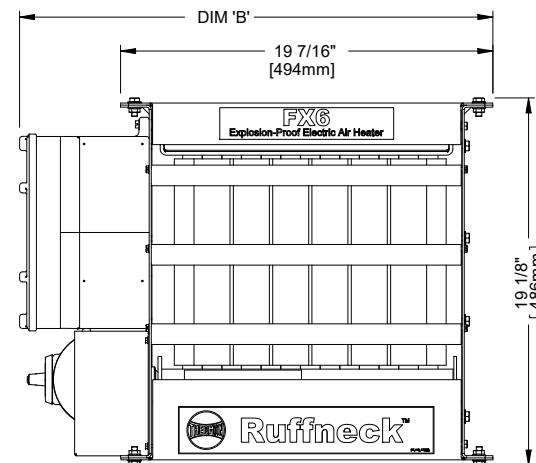
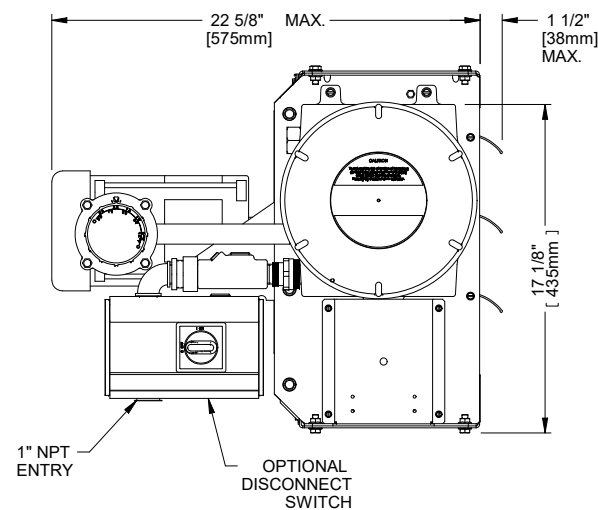
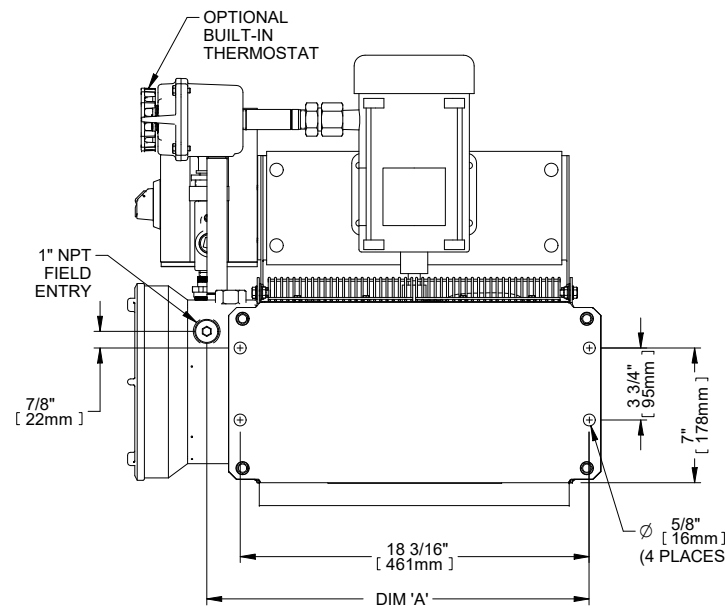
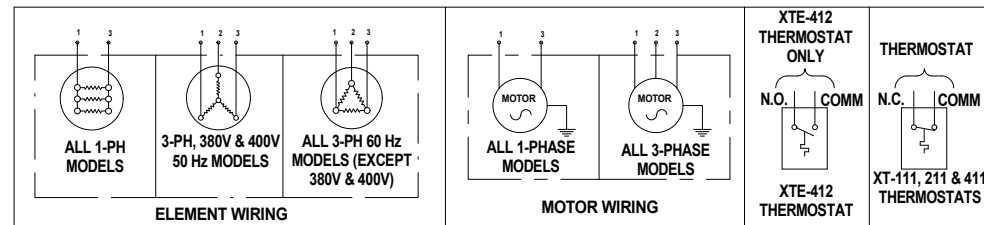


TABLE 1 - SPECIFICATIONS

KW (BTU/HR)	VOLT	PH	TOTAL CURRENT	MIN. CIRCUIT	MAX. FUSE	MIN. WIRE SIZE	BASIC MODEL	BUILT-IN THERMOSTAT	PILOT LIGHT	DISCONNECT SWITCH	CONTINUOUS FAN
3 (10236)	208	1	14.4	18.0	20	12	FX6-208160-030	<input type="checkbox"/>	<input type="checkbox"/>	<input type="checkbox"/>	<input type="checkbox"/>
		3	8.3	10.4	15	14	FX6-208360-030	<input type="checkbox"/>	<input type="checkbox"/>	<input type="checkbox"/>	<input type="checkbox"/>
	240	1	12.5	15.6	20	12	FX6-240160-030	<input type="checkbox"/>	<input type="checkbox"/>	<input type="checkbox"/>	<input type="checkbox"/>
		3	7.2	9.0	15	14	FX6-240360-030	<input type="checkbox"/>	<input type="checkbox"/>	<input type="checkbox"/>	<input type="checkbox"/>
5 (17060)	208	1	24.0	30.0	30	10	FX6-208160-050	<input type="checkbox"/>	<input type="checkbox"/>	<input type="checkbox"/>	<input type="checkbox"/>
		3	13.9	17.4	20	12.0	FX6-208360-050	<input type="checkbox"/>	<input type="checkbox"/>	<input type="checkbox"/>	<input type="checkbox"/>
	240	1	20.8	26.0	30	10	FX6-240160-050	<input type="checkbox"/>	<input type="checkbox"/>	<input type="checkbox"/>	<input type="checkbox"/>
		3	12.0	15.0	15	14	FX6-240360-050	<input type="checkbox"/>	<input type="checkbox"/>	<input type="checkbox"/>	<input type="checkbox"/>
7.5 (25591)	208	1	36.1	45.1	50	6	FX6-208160-075	<input type="checkbox"/>	<input type="checkbox"/>	<input type="checkbox"/>	<input type="checkbox"/>
		3	20.8	26.0	30	10	FX6-208360-075	<input type="checkbox"/>	<input type="checkbox"/>	<input type="checkbox"/>	<input type="checkbox"/>
	240	1	31.3	39.1	40	8	FX6-240160-075	<input type="checkbox"/>	<input type="checkbox"/>	<input type="checkbox"/>	<input type="checkbox"/>
		3	18.0	22.5	25	10	FX6-240360-075	<input type="checkbox"/>	<input type="checkbox"/>	<input type="checkbox"/>	<input type="checkbox"/>
10 (34121)	208	1	48.1	60.1	70	4	FX6-208160-100	<input type="checkbox"/>	<input type="checkbox"/>	N/A	<input type="checkbox"/>
		3	27.8	34.8	35	8	FX6-208360-100	<input type="checkbox"/>	<input type="checkbox"/>	<input type="checkbox"/>	<input type="checkbox"/>
	240	1	41.7	52.1	60	6	FX6-240160-100	<input type="checkbox"/>	<input type="checkbox"/>	<input type="checkbox"/>	<input type="checkbox"/>
		3	24.1	30.1	35	8	FX6-240360-100	<input type="checkbox"/>	<input type="checkbox"/>	<input type="checkbox"/>	<input type="checkbox"/>
480	3	12.0	15.0	15	12.0	FX6-480360-100	<input type="checkbox"/>	<input type="checkbox"/>	<input type="checkbox"/>	<input type="checkbox"/>	
	600	3	9.6	12.0	15	14	FX6-600360-100	<input type="checkbox"/>	<input type="checkbox"/>	<input type="checkbox"/>	<input type="checkbox"/>



NOTES:

1. NET WEIGHT:
Without Disconnect 67 KG [148 LBS]
With Disconnect 73 KG [160 LBS]

2. SHIPPING WEIGHT:
Without Disconnect 92 KG [202 LBS]
With Disconnect 97 KG [214 LBS]

3. MAX. OPERATING AMBIENT TEMP:
40°C [104°F]
MIN. OPERATING AMBIENT TEMP:
-50°C [-58°F]

4. HAZARDOUS LOCATION CLASSIFICATION:
cULus LISTED FOR THE FOLLOWING LOCATIONS:
CLASS I, DIVISION 1 & 2, GROUPS C & D
CLASS II, DIVISION 1, GROUPS E, F, & G
CLASS II, DIVISION 2, GROUPS F & G
CLASS I, ZONES 1 & 2, GROUPS IIA & IIB

TEMPERATURE CODE:
T3B 165°C [329°F]

ENCLOSURES:
NEMA TYPE 7 & 9, FOR DRY INDOOR USE ONLY, DO NOT IMMERSE IN WATER. DO NOT STORE OR USE IN AREAS EXPOSED TO RAIN AND SNOW.

5. AIR DELIVERY:

FOR 3 kW and 5 kW UNITS:
500 CFM @ 70°F (NOMINAL)
850 m³/hr @ 21°C (NOMINAL)

FOR 7.5 kW and 10 kW UNITS:
850 CFM @ 70°F (NOMINAL)
1,444 m³/hr @ 21°C (NOMINAL)

6. MATERIALS:

CABINET: 12 GA. EPOXY POWDER COATED RUFFNECK GREEN.
CORE: STEEL WITH INTEGRAL ALUMINUM FINs

VARIANT TABLE		
CONTROL HOUSING	DIM 'A'	DIM 'B'
LARGE	21 3/16" [538mm]	27" [685mm]
SLIM	19 3/16" [487mm]	24 5/8" [625mm]

REV.	REVISION DESCRIPTION	DATE	BY
TITLE: APPROVAL DATA SHEET - FX6 12" 60HZ			
DWG NO.: 52734	SHEET:	TOLERANCE UNLESS NOTED OTHERWISE	
SYTLINE NO.:-		± 1/2° ANGULAR	± 0.005" DECIMAL
SCALE: N.T.S.		± 1/8" FRACTIONAL	± 3 mm METRIC
DRN BY: GMillard	16 SEP 2021		
CHK'D BY: NS			
APP'D. BY: -			



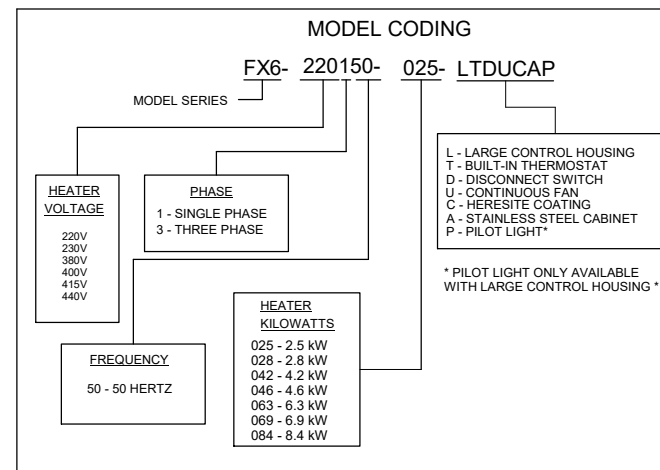
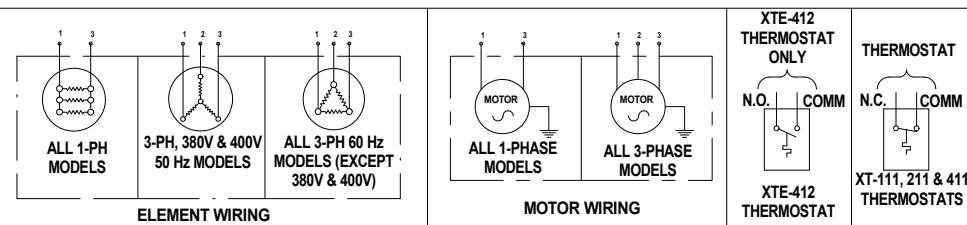
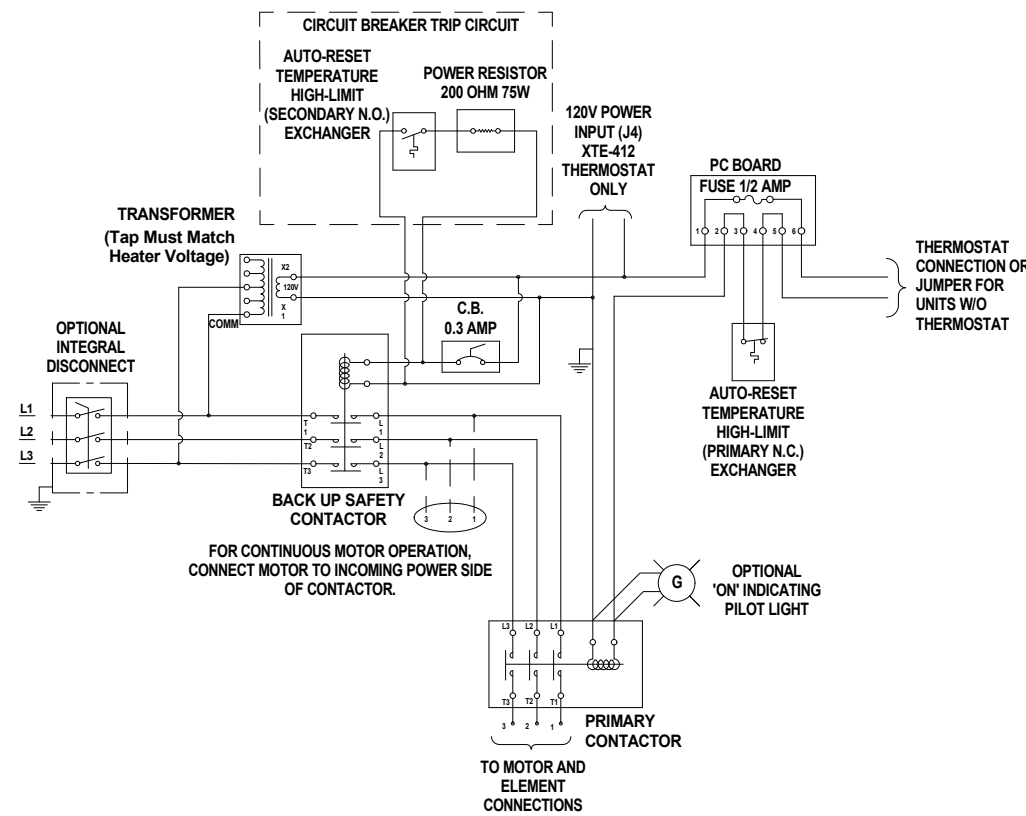


TABLE 1 - SPECIFICATIONS

KW (BTU/HR)	VOLT	PH	TOTAL CURRENT	MIN. CIRCUIT	MAX. FUSE	WIRE SIZE	BASIC MODEL	BUILT-IN THERMOSTAT	PILOT LIGHT	DISCONNECT SWITCH	CONTINUOUS FAN
2.5 (8,550)	220	1	11.4	20.1	15	10	FX6-220150-025	<input type="checkbox"/>	<input type="checkbox"/>	<input type="checkbox"/>	<input type="checkbox"/>
4.2 (14,350)	220	1	19.1	23.9	25	10	FX6-220150-042	<input type="checkbox"/>	<input type="checkbox"/>	<input type="checkbox"/>	<input type="checkbox"/>
6.3 (21,500)	220	1	28.6	41.7	40	8	FX6-220150-063	<input type="checkbox"/>	<input type="checkbox"/>	<input type="checkbox"/>	<input type="checkbox"/>
8.4 (28,700)	220	1	38.2	53.6	50	6	FX6-220150-084	<input type="checkbox"/>	<input type="checkbox"/>	<input type="checkbox"/>	<input type="checkbox"/>
2.8 (9,550)	230	1	12.2	20.3	20	10	FX6-230150-028	<input type="checkbox"/>	<input type="checkbox"/>	<input type="checkbox"/>	<input type="checkbox"/>
4.6 (16,000)	230	1	20.0	30.1	25	8	FX6-230150-046	<input type="checkbox"/>	<input type="checkbox"/>	<input type="checkbox"/>	<input type="checkbox"/>
6.9 (23,550)	230	1	30.0	42.6	40	8	FX6-230150-069	<input type="checkbox"/>	<input type="checkbox"/>	<input type="checkbox"/>	<input type="checkbox"/>
2.5 (8,550)	380	3	3.8	6.1	5	14	FX6-380350-025	<input type="checkbox"/>	<input type="checkbox"/>	<input type="checkbox"/>	<input type="checkbox"/>
4.2 (14,350)	380	3	6.4	9.4	10	14	FX6-380350-042	<input type="checkbox"/>	<input type="checkbox"/>	<input type="checkbox"/>	<input type="checkbox"/>
6.3 (21,000)	380	3	9.6	13.4	15	14	FX6-380350-063	<input type="checkbox"/>	<input type="checkbox"/>	<input type="checkbox"/>	<input type="checkbox"/>
8.4 (28,700)	380	3	12.8	17.3	20	12	FX6-380350-084	<input type="checkbox"/>	<input type="checkbox"/>	<input type="checkbox"/>	<input type="checkbox"/>
2.8 (9,5630)	400	3	4	6.4	5	14	FX6-400350-028	<input type="checkbox"/>	<input type="checkbox"/>	<input type="checkbox"/>	<input type="checkbox"/>
4.6 (15,710)	400	3	6.6	9.7	10	14	FX6-400350-046	<input type="checkbox"/>	<input type="checkbox"/>	<input type="checkbox"/>	<input type="checkbox"/>
6.9 (23,565)	400	3	10	13.8	15	14	FX6-400350-069	<input type="checkbox"/>	<input type="checkbox"/>	<input type="checkbox"/>	<input type="checkbox"/>
9.3 (31,761)	400	3	13.4	18.2	20	12	FX6-400350-093	<input type="checkbox"/>	<input type="checkbox"/>	<input type="checkbox"/>	<input type="checkbox"/>
3.7 (12,636)	415	3	5.1	7.9	10	14	FX6-415350-037	<input type="checkbox"/>	<input type="checkbox"/>	<input type="checkbox"/>	<input type="checkbox"/>
7.5 (25,614)	415	3	10.4	14.6	15	14	FX6-415350-075	<input type="checkbox"/>	<input type="checkbox"/>	<input type="checkbox"/>	<input type="checkbox"/>
4.2 (14,344)	440	3	5.5	8.4	10	14	FX6-440350-042	<input type="checkbox"/>	<input type="checkbox"/>	<input type="checkbox"/>	<input type="checkbox"/>
8.4 (28,688)	440	3	11	15.3	15	12	FX6-440350-084	<input type="checkbox"/>	<input type="checkbox"/>	<input type="checkbox"/>	<input type="checkbox"/>

NOTES:

1. NET WEIGHT:
Without Disconnect 67 KG [148 LBS]
With Disconnect 73 KG [160 LBS]

2. SHIPPING WEIGHT:
Without Disconnect 92 KG [202 LBS]
With Disconnect 97 KG [214 LBS]

3. MAX. OPERATING AMBIENT TEMP:
40°C [104°F]
MIN. OPERATING AMBIENT TEMP:
-50°C [-58°F]

4. HAZARDOUS LOCATION CLASSIFICATION:
cULus LISTED FOR THE FOLLOWING LOCATIONS:
CLASS I, DIVISION 1 & 2, GROUPS C & D
CLASS II, DIVISION 1, GROUPS E, F, & G
CLASS II, DIVISION 2, GROUPS F & G
CLASS I, ZONES 1 & 2, GROUPS IIA & IIB

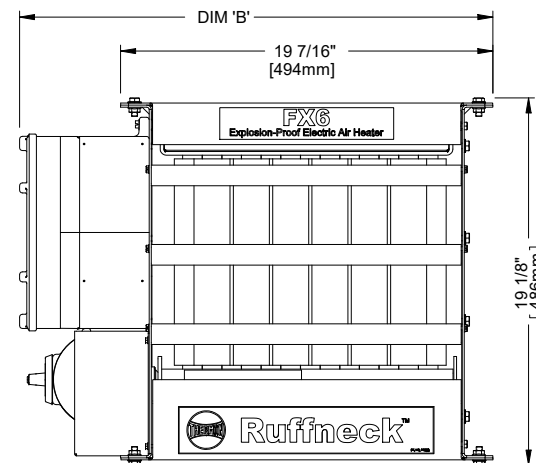
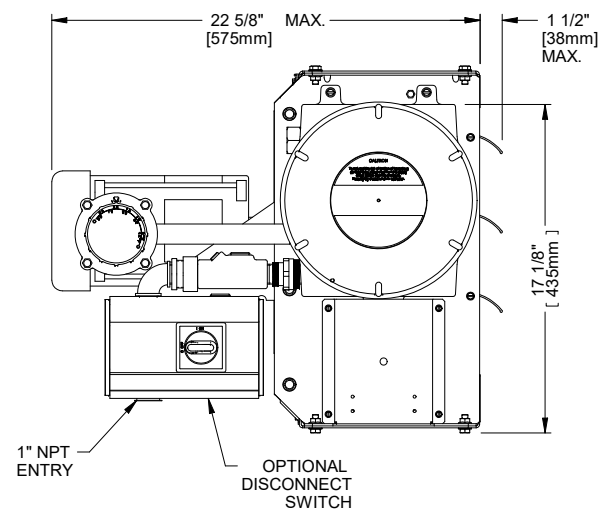
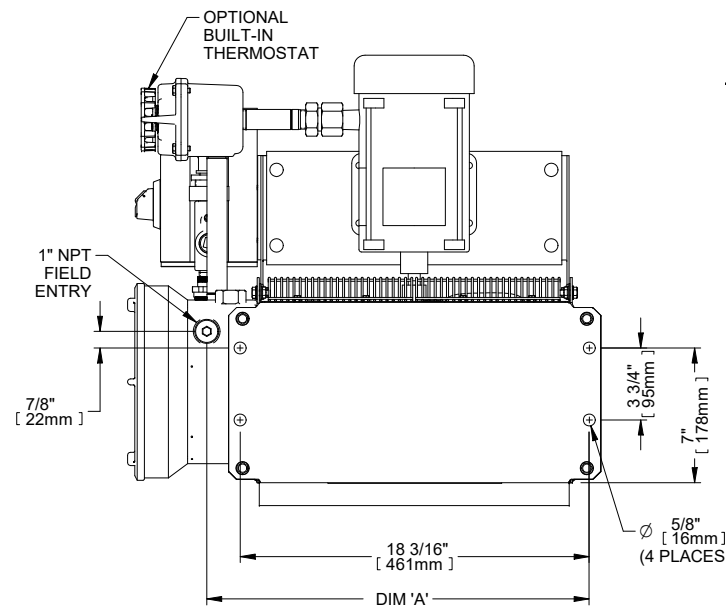
TEMPERATURE CODE:
T3B 165°C [329°F]

ENCLOSURES:
NEMA TYPE 7 & 9, FOR DRY INDOOR USE ONLY, DO NOT IMMERSE IN WATER. DO NOT STORE OR USE IN AREAS EXPOSED TO RAIN AND SNOW.

5. AIR DELIVERY:
FOR 3 kW and 5 kW UNITS:
500 CFM @ 70°F (NOMINAL)
850 m³/hr @ 21°C (NOMINAL)

FOR 7.5 kW and 10 kW UNITS:
850 CFM @ 70°F (NOMINAL)
1,444 m³/hr @ 21°C (NOMINAL)

6. MATERIALS:
CABINET: 12 GA. EPOXY POWDER COATED RUFFNECK GREEN.
CORE: STEEL WITH INTEGRAL ALUMINUM FINNS

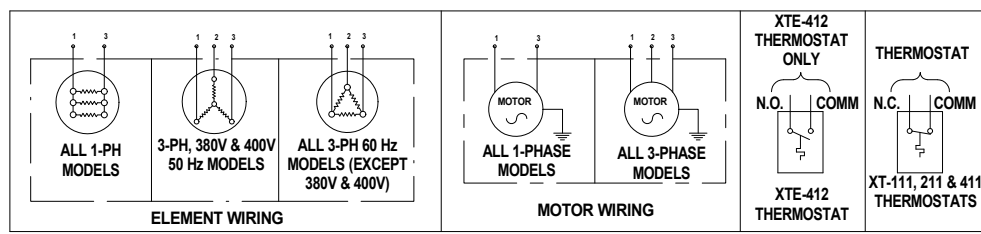
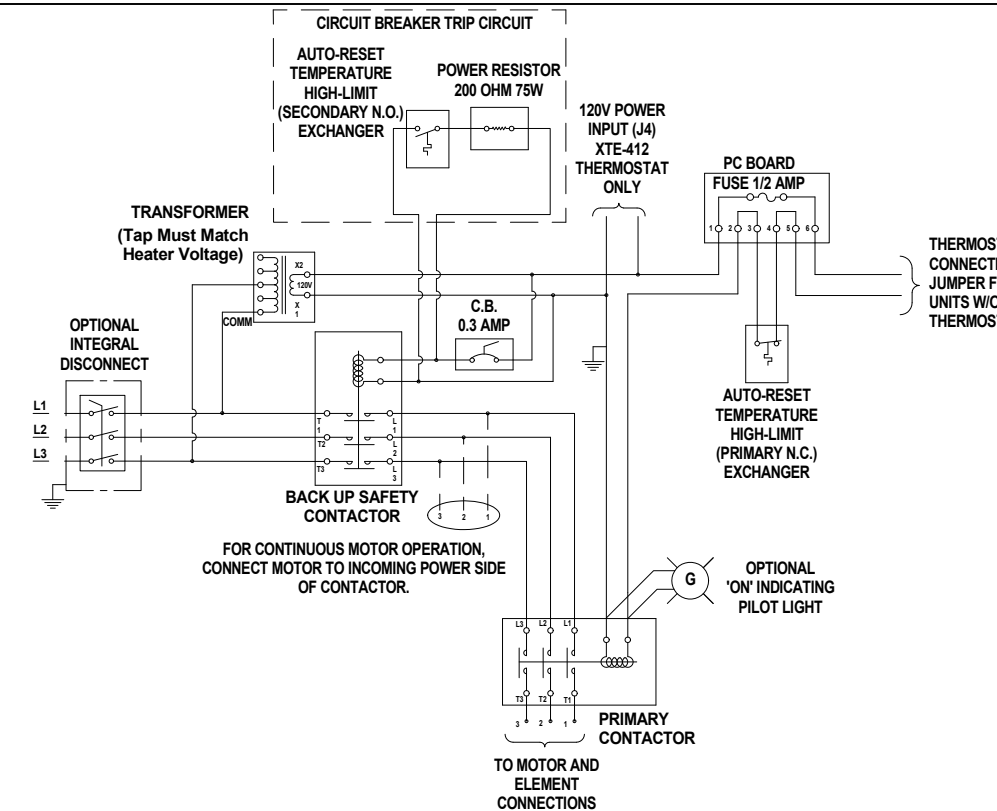


CONTROL HOUSING	DIM 'A'	DIM 'B'
LARGE	21 3/16" [538mm]	27" [685mm]
SLIM	19 3/16" [487mm]	24 5/8" [625mm]

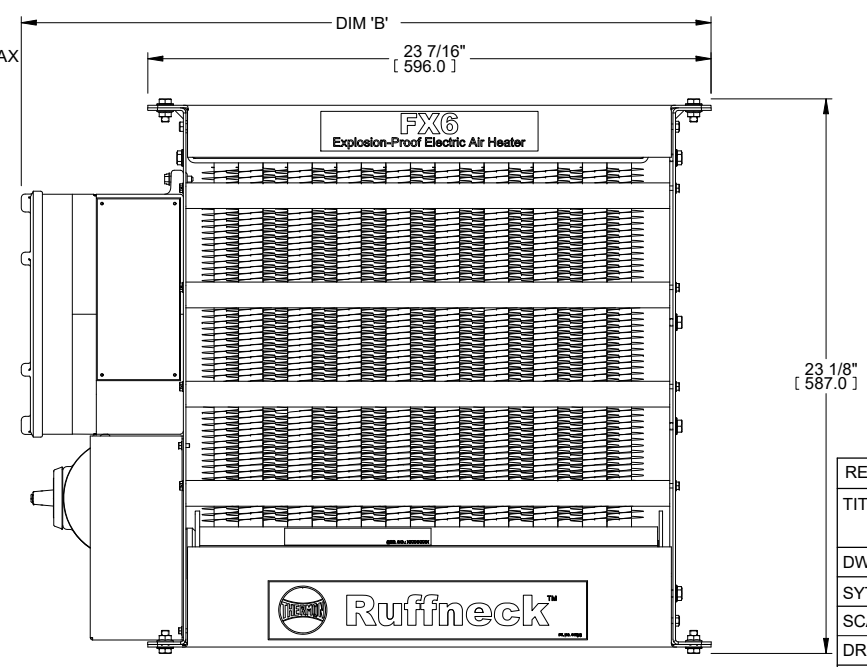
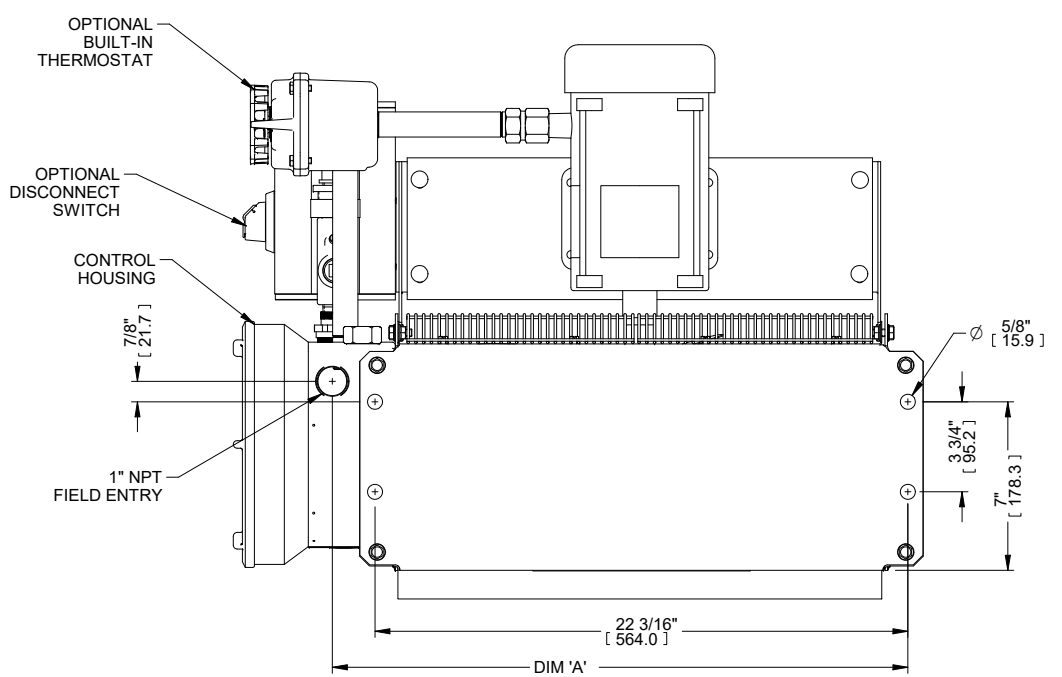
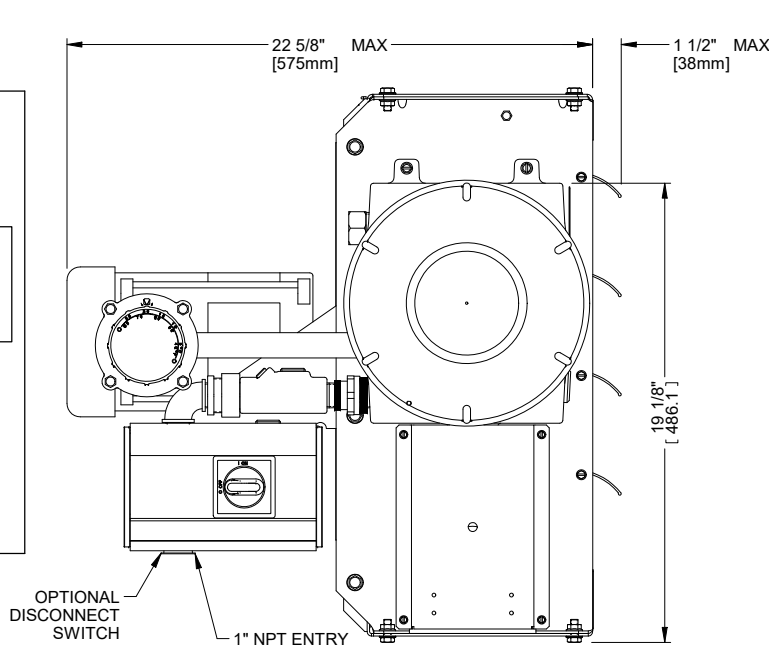
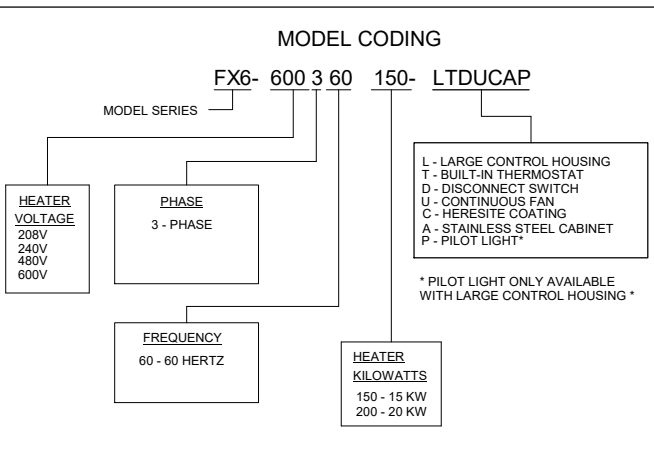
REV.	REVISION DESCRIPTION	DATE	BY
TITLE: APPROVAL DATA SHEET - FX6 12" 50HZ			
DWG NO.: 52734 SHEET:		TOLERANCE UNLESS NOTED OTHERWISE	
SYTLINE NO.:-		± 1/2"	± 0.005"
SCALE: N.T.S.		ANGULAR	DECIMAL
DRN BY: GMillard 16 SEP 2021		± 1/8"	± 3 mm
CHK'D BY: NS		FRACTIONAL	METRIC
APP'D. BY: -			

TABLE 1 - SPECIFICATIONS

KW (BTU/HR)	VOLT	PH	TOTAL CURRENT	MIN. CIRCUIT	MAX. FUSE	WIRE SIZE	BASIC MODEL	BUILT-IN THERMOSTAT	PILOT LIGHT	DISCONNECT SWITCH	CONTINUOUS FAN
15 (51225)	208	3	41.6	52	60	6	FX6-208360-150	<input type="checkbox"/>	<input type="checkbox"/>	N/A	<input type="checkbox"/>
	240	3	36.1	45.1	50	6	FX6-240360-150	<input type="checkbox"/>	<input type="checkbox"/>	<input type="checkbox"/>	<input type="checkbox"/>
	480	3	18.0	22.5	25	10	FX6-480360-150	<input type="checkbox"/>	<input type="checkbox"/>	<input type="checkbox"/>	<input type="checkbox"/>
20 (68300)	480	3	24.1	30.1	35	8	FX6-480360-200	<input type="checkbox"/>	<input type="checkbox"/>	<input type="checkbox"/>	<input type="checkbox"/>
	600	3	19.2	24.0	30	10	FX6-600360-200	<input type="checkbox"/>	<input type="checkbox"/>	<input type="checkbox"/>	<input type="checkbox"/>



CONTROL HOUSING	DIM 'A'	DIM 'B'
LARGE	25 1/4" [640.9mm]	31 1/8" [790.2mm]
SLIM	24" [609.2mm]	28 3/4" [729.9mm]



NOTES:

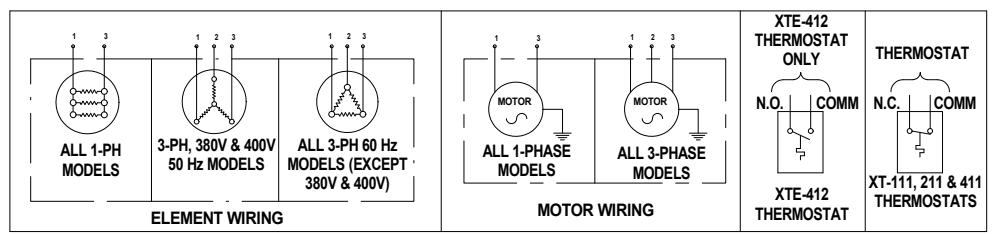
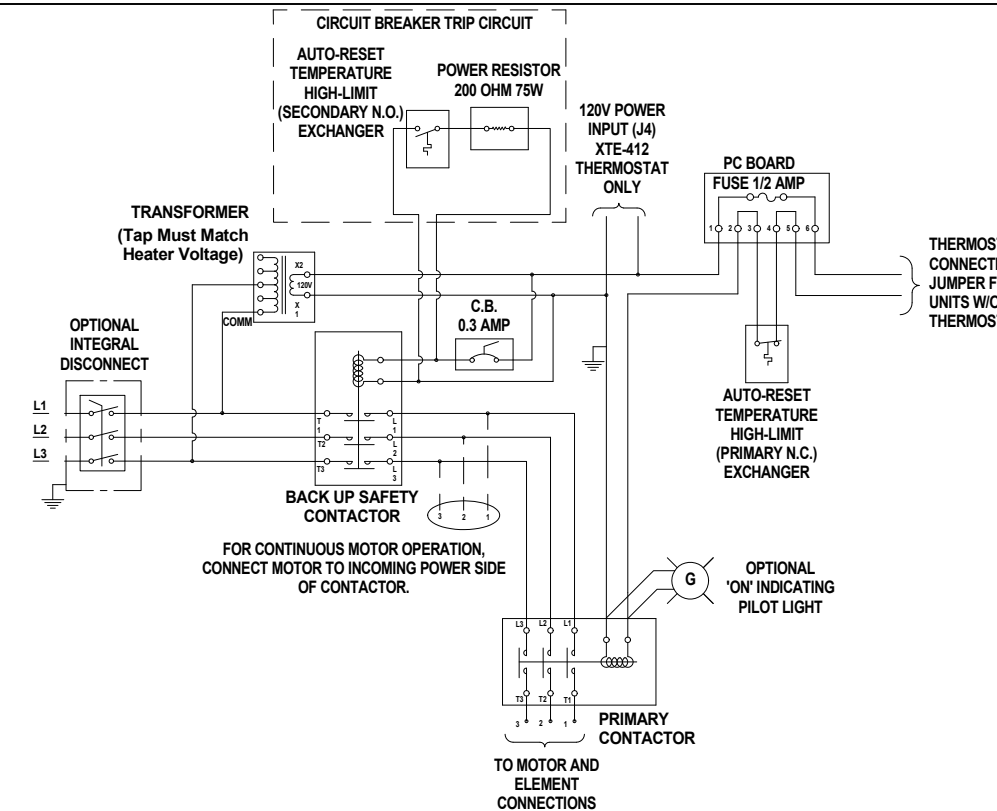
- NET WEIGHT:**
Without Disconnect 80 KG [177 LBS]
With Disconnect 86 KG [189 LBS]
 - SHIPPING WEIGHT:**
Without Disconnect 103 KG [227 LBS]
With Disconnect 109 KG [239 LBS]
 - MAX. OPERATING AMBIENT TEMP:**
40°C [104°F]
MIN. OPERATING AMBIENT TEMP:
-50°C [-58°F]
 - HAZARDOUS LOCATION CLASSIFICATION:**
cULus LISTED FOR THE FOLLOWING LOCATIONS:
CLASS I, DIVISION 1 & 2, GROUPS C & D
CLASS II, DIVISION 1, GROUPS E, F, & G
CLASS II, DIVISION 2, GROUPS F & G
CLASS I, ZONES 1 & 2, GROUPS IIA & IIB
- TEMPERATURE CODE:
T3B 165°C [329°F]
- ENCLOSURES:**
NEMA TYPE 7 & 9, FOR DRY INDOOR USE ONLY, DO NOT IMMERSE IN WATER. DO NOT STORE OR USE IN AREAS EXPOSED TO RAIN AND SNOW.
- AIR DELIVERY:**
1450 CFM @ 70°F (NOMINAL)
2463 m³/hr @ 21°C (NOMINAL)
 - MATERIALS:**
CABINET: 12 GA. EPOXY POWDER COATED RUFFNECK GREEN.
CORE: STEEL WITH INTEGRAL ALUMINUM FINS

REV.	REVISION DESCRIPTION	DATE	BY
TITLE: APPROVAL DATA SHEET - FX6 16" 60HZ			
DWG NO.: 52735	SHEET:	TOLERANCE UNLESS NOTED OTHERWISE	
SYTLINE NO.: N/A		± 1/2"	± 1/8"
SCALE: NONE		ANGULAR	FRACTIONAL
DRN BY: GMillard	21SEP2021	± 3 mm	METRIC
CHK'D BY: NS			
APP'D. BY: -			

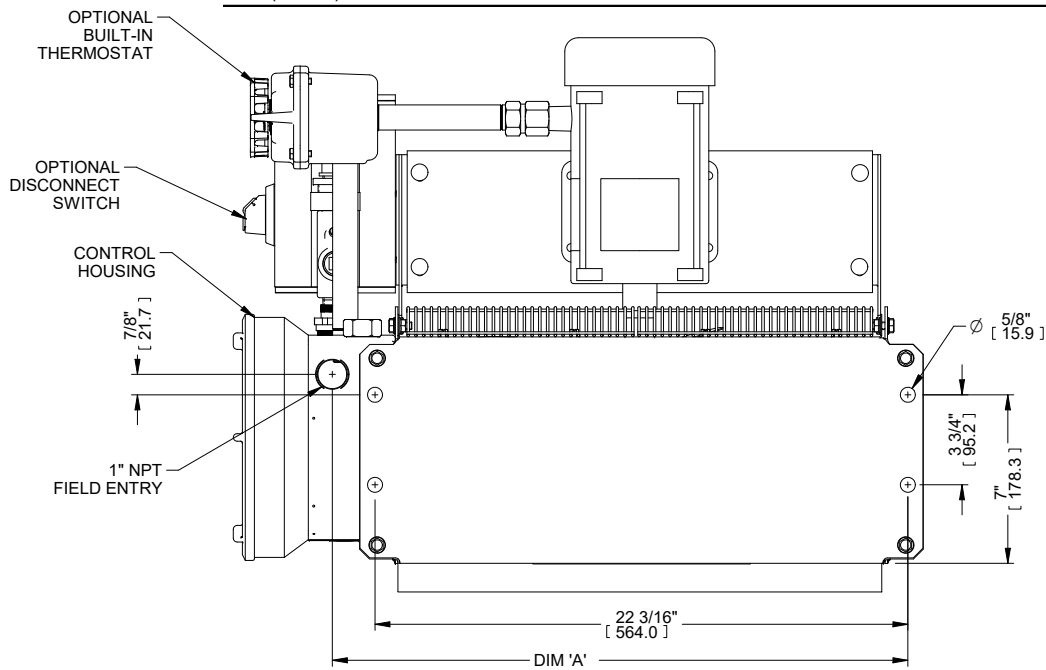


TABLE 1 - 50 HZ MODEL SPECIFICATIONS

KW (BTU/HR)	VOLT	PH	TOTAL CURRENT	MIN. CIRCUIT	MAX. FUSE	WIRE SIZE	BASIC MODEL	BUILT-IN THERMOSTAT	PILOT LIGHT	DISCONNECT SWITCH	CONTINUOUS FAN
12.6 (43,031)	220	1	57.3	71.6	80	2	FX5-220150-126	<input type="checkbox"/>	<input type="checkbox"/>	N/A	<input type="checkbox"/>
13.8 (47,129)	230	1	59.9	74.9	80	2	FX5-230150-138	<input type="checkbox"/>	<input type="checkbox"/>	N/A	<input type="checkbox"/>
15.0 (51,228)	240	1	62.5	78.1	80	2	FX5-240150-150	<input type="checkbox"/>	<input type="checkbox"/>	N/A	<input type="checkbox"/>
12.5 (42,690)	380	3	19.0	23.8	25	10	FX5-380350-125	<input type="checkbox"/>	<input type="checkbox"/>	<input type="checkbox"/>	<input type="checkbox"/>
13.9 (47,471)	400	3	20.1	25.1	30	10	FX5-400350-139	<input type="checkbox"/>	<input type="checkbox"/>	<input type="checkbox"/>	<input type="checkbox"/>
18.5 (63,181)	400	3	26.7	33.4	35	8	FX5-400350-185	<input type="checkbox"/>	<input type="checkbox"/>	<input type="checkbox"/>	<input type="checkbox"/>
14.9 (50,886)	415	3	20.7	25.9	30	10	FX5-415350-149	<input type="checkbox"/>	<input type="checkbox"/>	<input type="checkbox"/>	<input type="checkbox"/>
16.8 (57,375)	440	3	27.5	34.4	35	8	FX5-440350-168	<input type="checkbox"/>	<input type="checkbox"/>	<input type="checkbox"/>	<input type="checkbox"/>



CONTROL HOUSING	DIM 'A'	DIM 'B'
LARGE	25 1/4" [640.9mm]	31 1/8" [790.2mm]
SLIM	24" [609.2mm]	28 3/4" [729.9mm]



NOTES:

1. NET WEIGHT:
 Without Disconnect 80 KG [177 LBS]
 With Disconnect 86 KG [189 LBS]

2. SHIPPING WEIGHT:
 Without Disconnect 103 KG [227 LBS]
 With Disconnect 109 KG [239 LBS]

3. MAX. OPERATING AMBIENT TEMP:
 40°C [104°F]
MIN. OPERATING AMBIENT TEMP:
 -50°C [-58°F]

4. HAZARDOUS LOCATION CLASSIFICATION:
 cULus LISTED FOR THE FOLLOWING LOCATIONS:
 CLASS I, DIVISION 1 & 2, GROUPS C & D
 CLASS II, DIVISION 1, GROUPS E, F, & G
 CLASS II, DIVISION 2, GROUPS F & G
 CLASS I, ZONES 1 & 2, GROUPS IIA & IIB

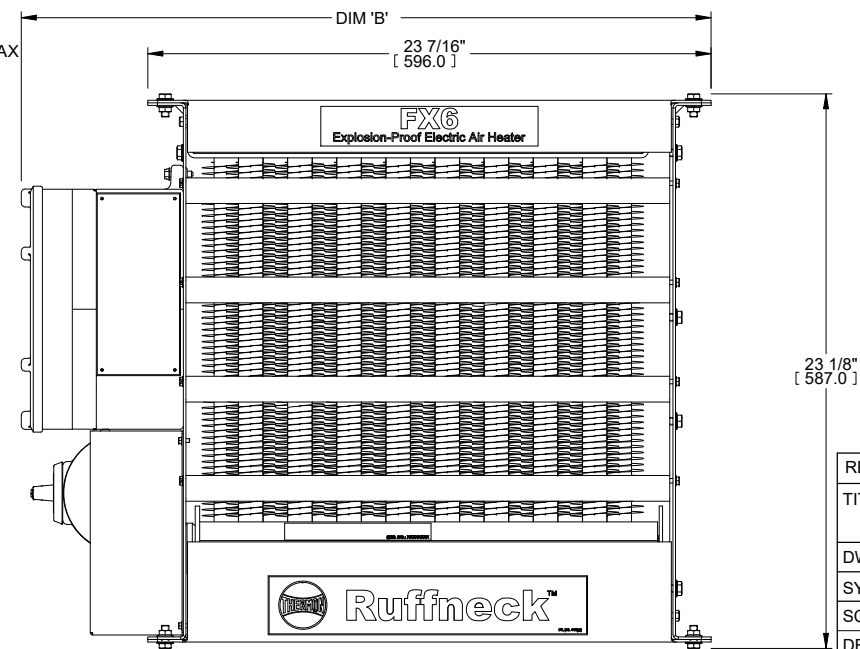
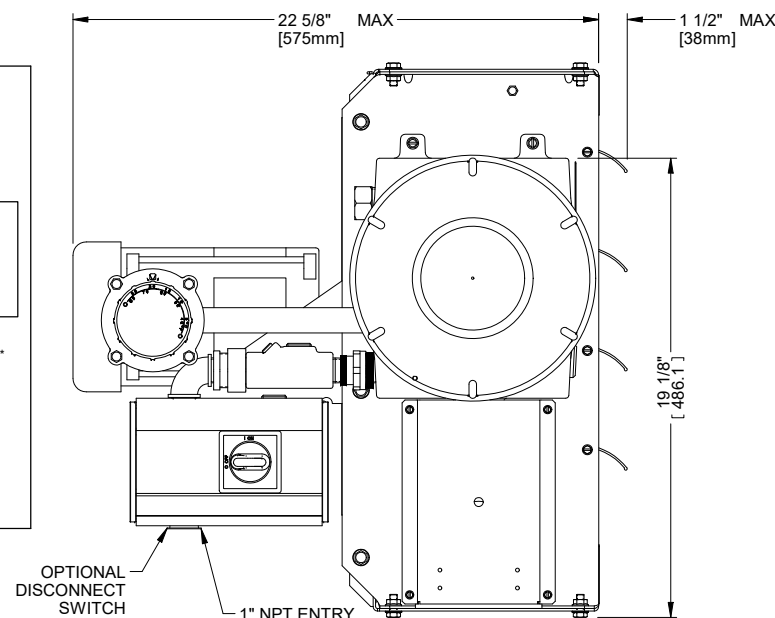
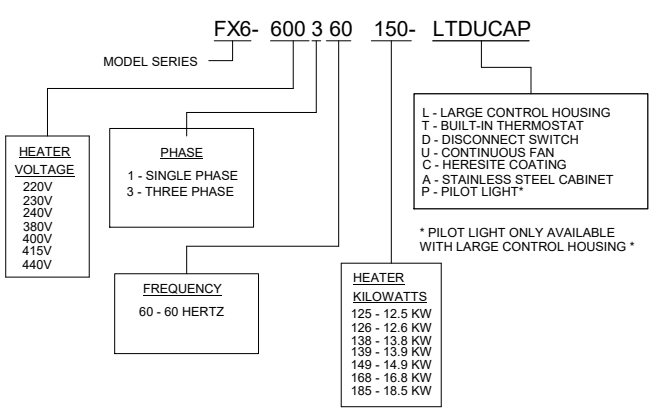
TEMPERATURE CODE:
 T3B 165°C [329°F]

ENCLOSURES:
 NEMA TYPE 7 & 9, FOR DRY INDOOR USE ONLY, DO NOT IMMERSE IN WATER. DO NOT STORE OR USE IN AREAS EXPOSED TO RAIN AND SNOW.

5. AIR DELIVERY:
 1450 CFM @ 70°F (NOMINAL)
 2463 m³/hr @ 21°C (NOMINAL)

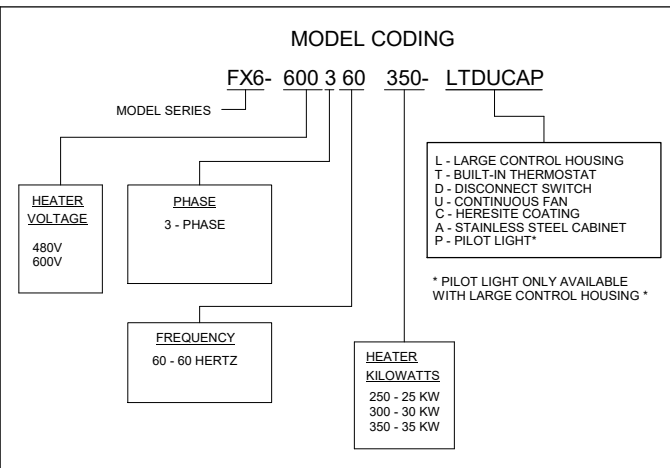
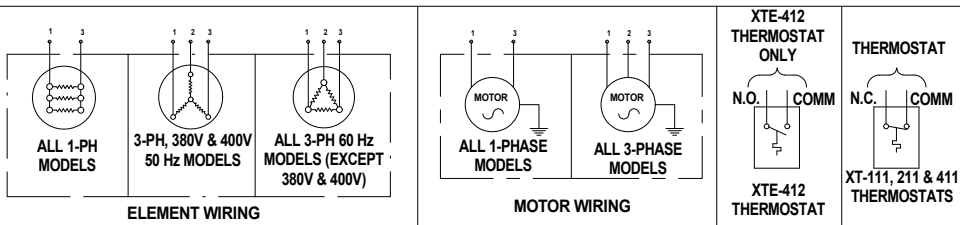
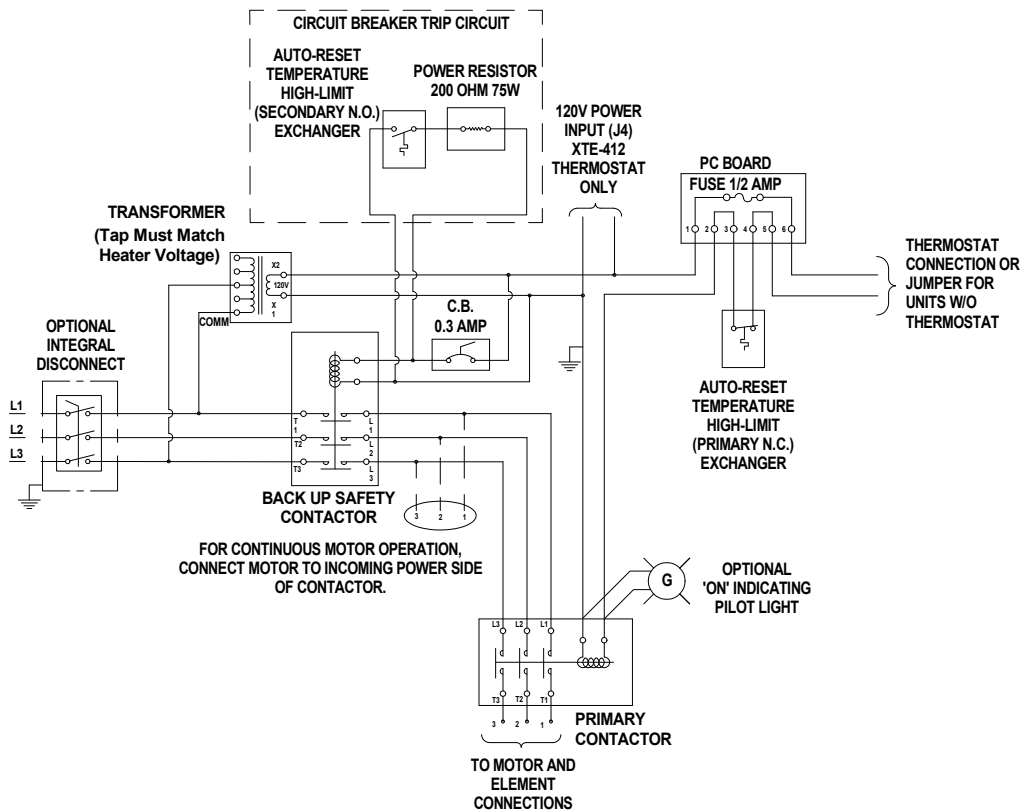
6. MATERIALS:
 CABINET: 12 GA. EPOXY POWDER COATED RUFFNECK GREEN.
 CORE: STEEL WITH INTEGRAL ALUMINUM FINS

MODEL CODING



REV.	REVISION DESCRIPTION	DATE	BY
TITLE: APPROVAL DATA SHEET - FX6 16" 50HZ			
DWG NO.: 52735	SHEET:	TOLERANCE UNLESS NOTED OTHERWISE	
SYTLINE NO.: N/A		± 1/2"	± 1/8"
SCALE: NONE		ANGULAR	FRACTIONAL
DRN BY: GMillard	21SEP2021	± 3 mm	METRIC
CHK'D BY: NS			
APP'D. BY: -			





VARIANT TABLE		
CONTROL HOUSING	DIM 'A'	DIM 'B'
LARGE	29 3/16" [741.6mm]	35 1/16" [890.9mm]
SLIM	27 15/16" [709.8mm]	32 11/16" [830.6mm]

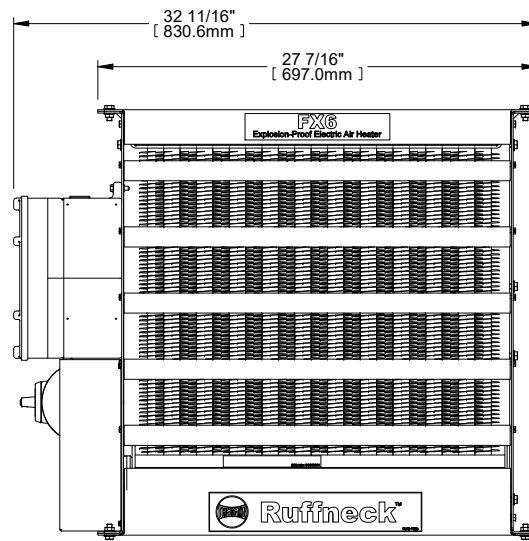
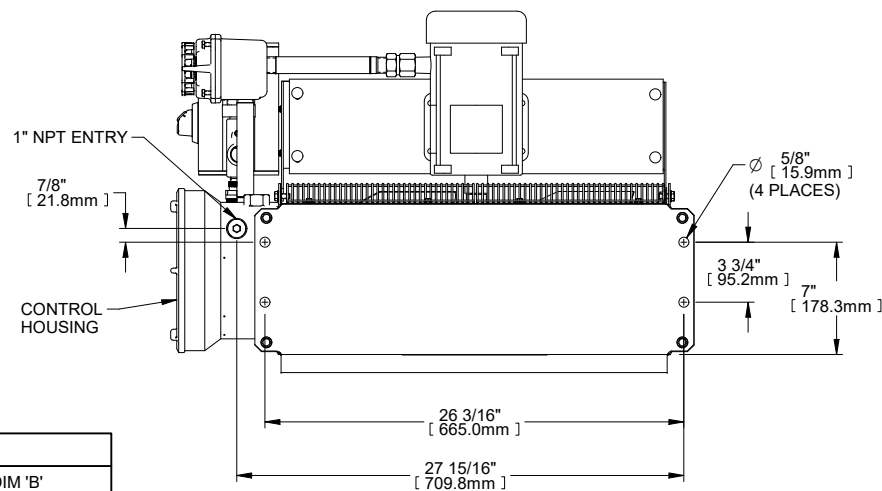
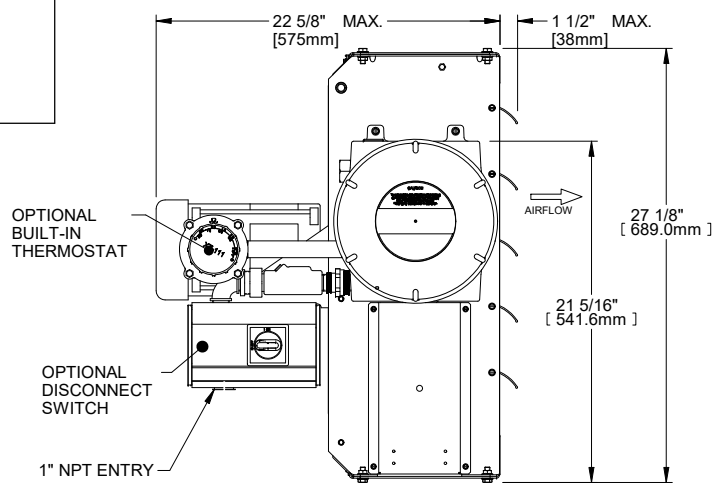


TABLE 1 - SPECIFICATIONS

KW (BTU/HR)	VOLT	PH	TOTAL CURRENT	MIN. CIRCUIT	MAX. FUSE	WIRE SIZE	BASIC MODEL	BUILT-IN THERMOSTAT	PILOT LIGHT	DISCONNECT SWITCH	CONTINUOUS FAN
25 (85300)	480	3	30.1	37.6	40	8	FX5-480360-250	<input type="checkbox"/>	<input type="checkbox"/>	<input type="checkbox"/>	<input type="checkbox"/>
	600	3	24.1	30.1	35	8	FX5-600360-250	<input type="checkbox"/>	<input type="checkbox"/>	<input type="checkbox"/>	<input type="checkbox"/>
30 (102350)	480	3	36.1	45.1	50	6	FX5-480360-300	<input type="checkbox"/>	<input type="checkbox"/>	<input type="checkbox"/>	<input type="checkbox"/>
	600	3	28.9	36.1	40	8	FX5-600360-300	<input type="checkbox"/>	<input type="checkbox"/>	<input type="checkbox"/>	<input type="checkbox"/>
35 (119450)	480	3	42.1	52.6	60	6	FX5-480360-350	<input type="checkbox"/>	<input type="checkbox"/>	<input type="checkbox"/>	<input type="checkbox"/>
	600	3	33.7	42.1	45	8	FX5-600360-350	<input type="checkbox"/>	<input type="checkbox"/>	<input type="checkbox"/>	<input type="checkbox"/>

NOTES:

1. NET WEIGHT:

Without Disconnect 96 KG [212 LBS]
With Disconnect 102 KG [224 LBS]

2. SHIPPING WEIGHT:

Without Disconnect 119 KG [263 LBS]
With Disconnect 125 KG [275 LBS]

3. MAX. OPERATING AMBIENT TEMP: 40°C [104°F]

MIN. OPERATING AMBIENT TEMP: -50°C [-58°F]

4. HAZARDOUS LOCATION CLASSIFICATION:

cULus LISTED FOR THE FOLLOWING LOCATIONS:
CLASS I, DIVISION 1 & 2, GROUPS C & D
CLASS II, DIVISION 1, GROUPS E, F, & G
CLASS II, DIVISION 2, GROUPS F & G
CLASS I, ZONES 1 & 2, GROUPS IIA & IIB

ENCLOSURES:

NEMA TYPE 7 & 9, FOR DRY INDOOR USE ONLY, DO NOT IMMERSE IN WATER. DO NOT STORE OR USE IN AREAS EXPOSED TO RAIN AND SNOW.

TEMPERATURE CODE: T3B 165°C [329°F]

5. AIR DELIVERY:

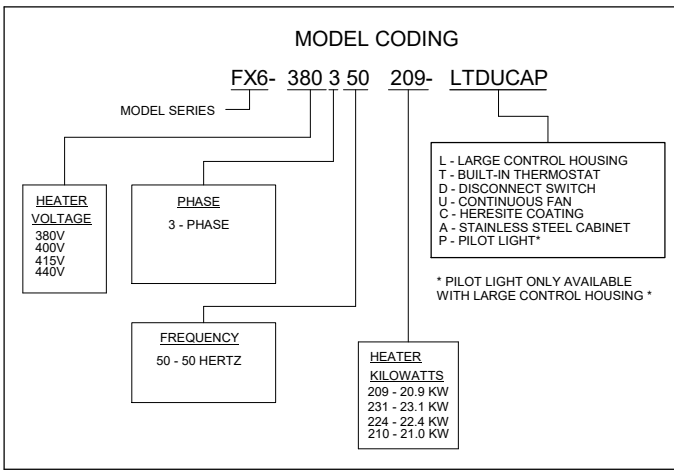
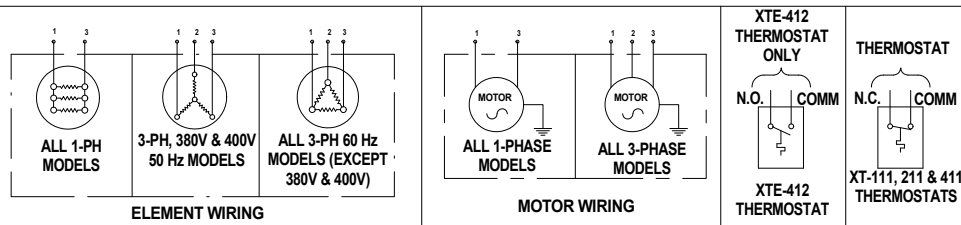
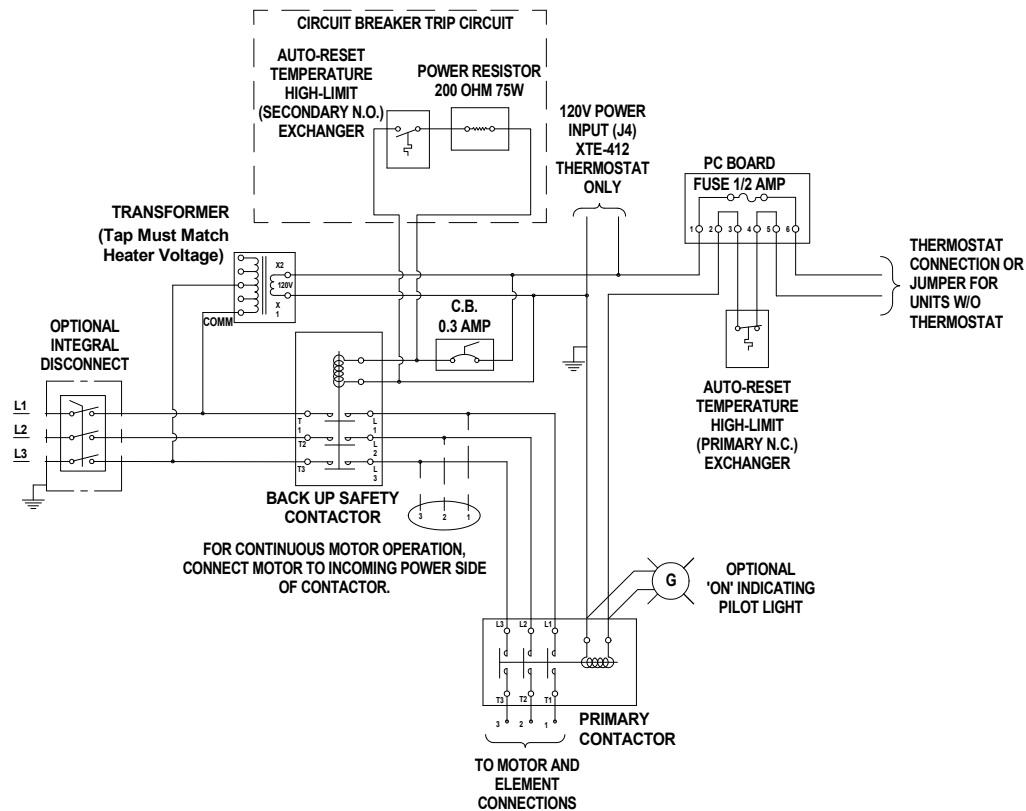
3600 CFM @ 70°F (NOMINAL)
6116 m³/hr @ 21°C (NOMINAL)

6. MATERIALS:

CABINET: 12 GA. CARBON STEEL
RUFFNECK GREEN

CORE: STEEL WITH INTEGRAL ALUMINUM FINS

REV.	REVISION DESCRIPTION	DATE	BY
TITLE: APPROVAL DATA SHEET - FX6 20" 60HZ			
DWG NO.: 52736 SHEET:		TOLERANCE UNLESS NOTED OTHERWISE	
SYTLINE NO.: -		± 1/2"	± 1/8"
SCALE: NTS		ANGULAR	FRACTIONAL
DRN BY: GMillard 23SEP2021		DECIMAL	METRIC
CHK'D BY: NS			
APP'D. BY: -			



VARIANT TABLE		
CONTROL HOUSING	DIM 'A'	DIM 'B'
LARGE	29 3/16" [741.6mm]	35 1/16" [890.9mm]
SLIM	27 15/16" [709.8mm]	32 11/16" [830.6mm]

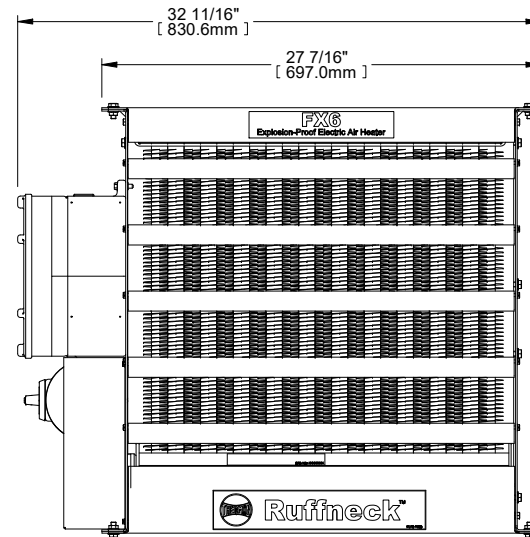
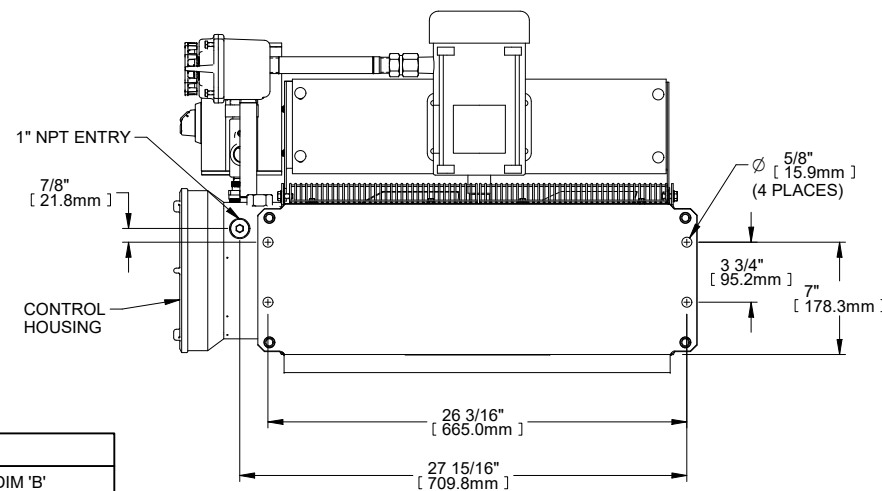
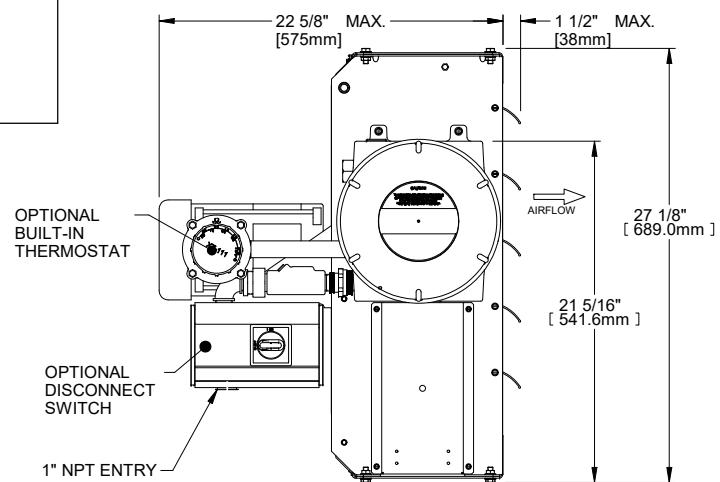


TABLE 1 - SPECIFICATIONS

KW (BTU/HR)	VOLT	PH	TOTAL CURRENT	MIN. CIRCUIT	MAX. FUSE	WIRE SIZE	BASIC MODEL	BUILT-IN THERMOSTAT	3-WAY SWITCH	DISCONNECT SWITCH	CONTINUOUS FAN
20.9 (71,350)	380	3	31.8	39.8	40	8	FX5-380350-209	<input type="checkbox"/>	<input type="checkbox"/>	<input type="checkbox"/>	<input type="checkbox"/>
23.1 (78,850)	400	3	33.3	41.6	45	8	FX5-400350-231	<input type="checkbox"/>	<input type="checkbox"/>	<input type="checkbox"/>	<input type="checkbox"/>
22.4 (76,450)	415	3	31.2	39	40	8	FX5-415350-224	<input type="checkbox"/>	<input type="checkbox"/>	<input type="checkbox"/>	<input type="checkbox"/>
21.0 (71,350)	440	3	27.6	34.4	35	8	FX5-440350-209	<input type="checkbox"/>	<input type="checkbox"/>	<input type="checkbox"/>	<input type="checkbox"/>

NOTES:

1. NET WEIGHT:
Without Disconnect 96 KG [212 LBS]
With Disconnect 102 KG [224 LBS]

2. SHIPPING WEIGHT:
Without Disconnect 119 KG [263 LBS]
With Disconnect 125 KG [275 LBS]

3. MAX. OPERATING AMBIENT TEMP:
40°C [104°F]
MIN. OPERATING AMBIENT TEMP:
-50°C [-58°F]

4. HAZARDOUS LOCATION CLASSIFICATION:
cULus LISTED FOR THE FOLLOWING LOCATIONS:
CLASS I, DIVISION 1 & 2, GROUPS C & D
CLASS II, DIVISION 1, GROUPS E, F, & G
CLASS II, DIVISION 2, GROUPS F & G
CLASS I, ZONES 1 & 2, GROUPS IIA & IIB

ENCLOSURES:
NEMA TYPE 7 & 9, FOR DRY INDOOR USE ONLY, DO NOT IMMERSE IN WATER. DO NOT STORE OR USE IN AREAS EXPOSED TO RAIN AND SNOW.

TEMPERATURE CODE:
T3B 165°C [329°F]

5. AIR DELIVERY:
3600 CFM @ 70°F (NOMINAL)
6116 m³/hr @ 21°C (NOMINAL)

6. MATERIALS:
CABINET: 12 GA. CARBON STEEL
RUFFNECK GREEN
CORE: STEEL WITH INTEGRAL ALUMINUM FINS

REV.	REVISION DESCRIPTION	DATE	BY
TITLE: APPROVAL DATA SHEET - FX6 20" 50HZ			
DWG NO.: 52736		SHEET: 2 OF 2	
SYTLINE NO.: -		TOLERANCE UNLESS NOTED OTHERWISE	
SCALE: NTS		± 1/2°	± 1/8"
DRN BY: GMillard		± -	± 3 mm
CHK'D BY: NS		DECIMAL	FRACTIONAL
APP'D. BY: -		METRIC	

