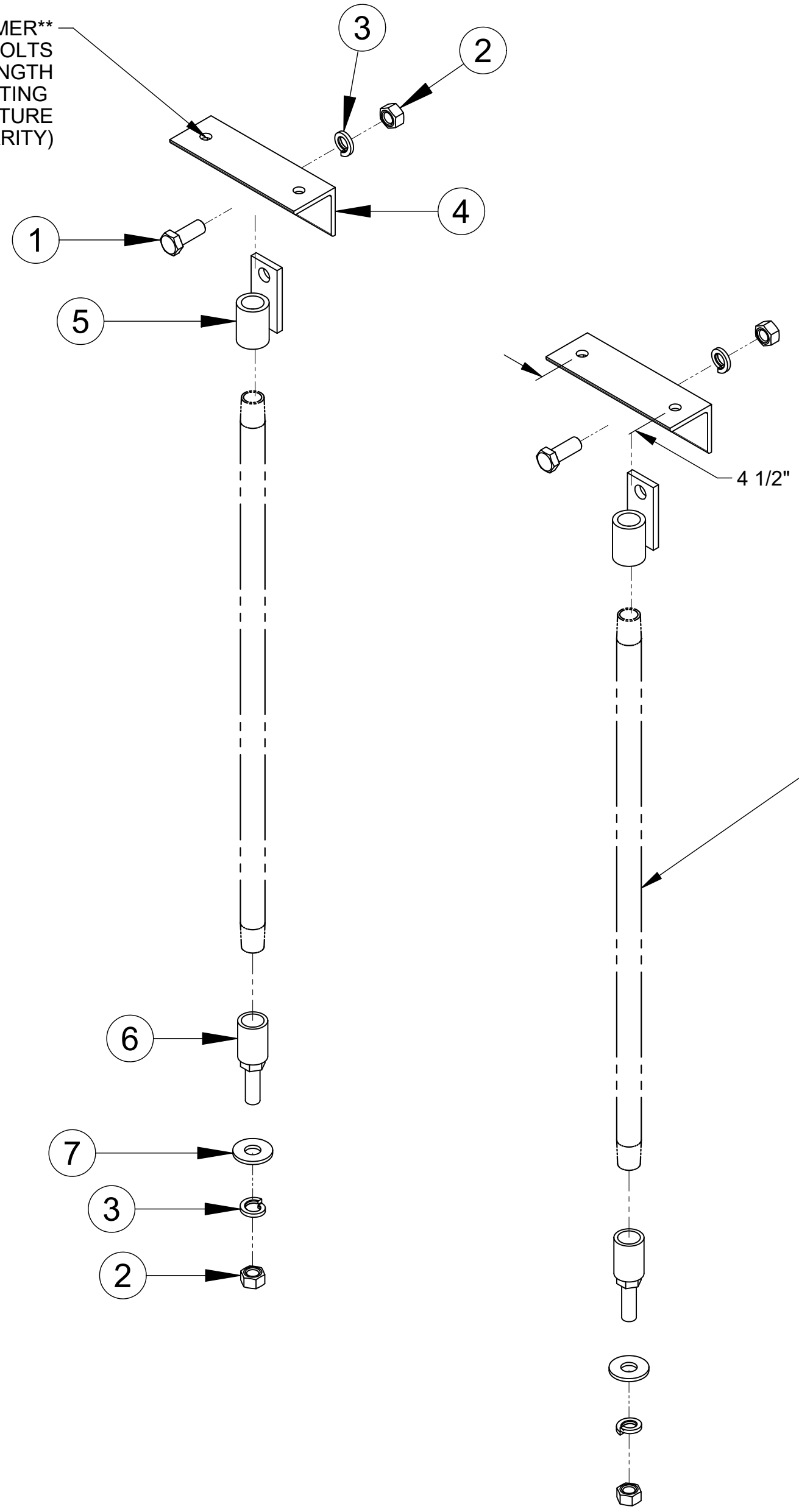
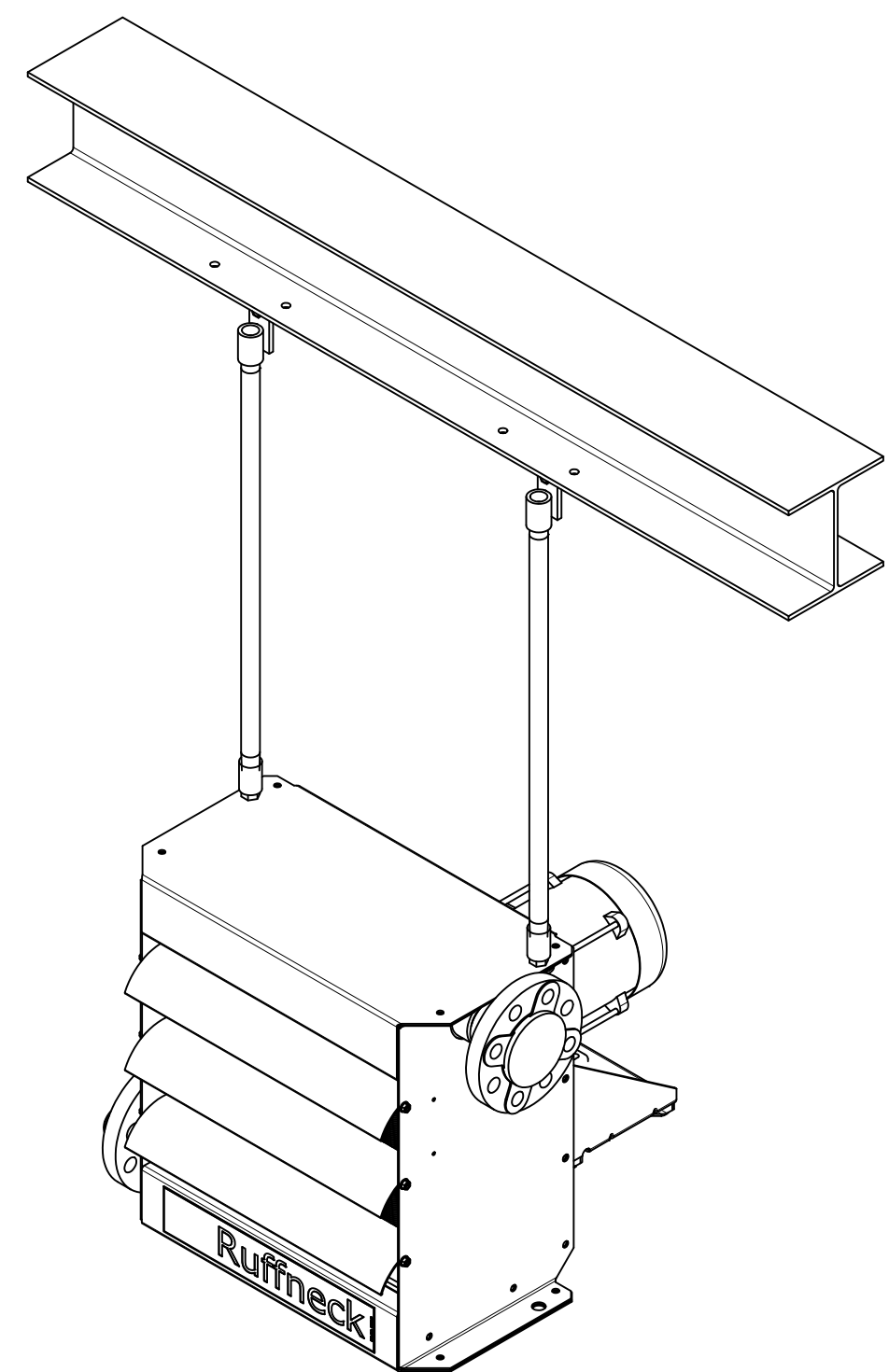


**\*\*SUPPLIED BY CUSTOMER\*\***  
 FOUR 3/8"Ø, GRADE 5 BOLTS  
 OR EQUIVALENT STRENGTH  
 FASTENERS AND A SUPPORTING  
 STRUCTURE  
 (NOT SHOWN FOR CLARITY)



**\*\*SUPPLIED BY CUSTOMER\*\***  
 TWO 1/2"Ø, SCH. 40 OR  
 HEAVIER STEEL PIPE  
 THREADED BOTH ENDS  
 1/2" NPT.

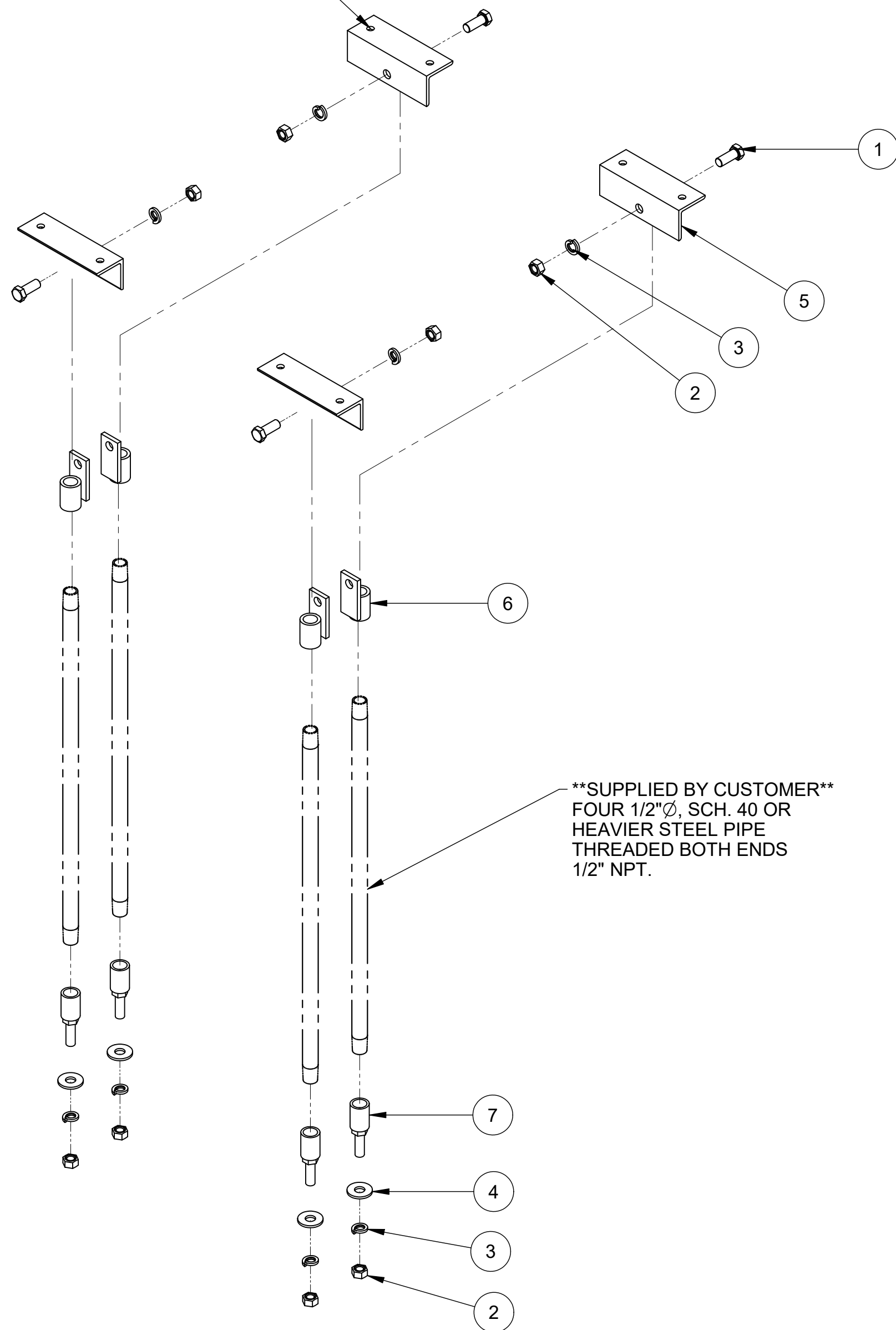
ITEM	QTY	THERMON PART NO	DESCRIPTION
1	2	2940	BOLT 1/2-13UNC x 1 1/4LONG, HEXAGON HEAD
2	4	4372	NUT-1/2-13 UNC-H-SZP
3	4	4373	Lockwasher-1/2-Split-SZP
4	2	3084	ANGLE, HANGER
5	2	3085	CONNECTOR, HANGER
6	2	4378	ADAPTER HMK
7	2	2941	WASHER, FLAT 1/2"



REV.	REVISION DESCRIPTION	DATE	BY
TITLE: MTG Kit, Ruffneck HMK AH			
DWG NO.: 5725		SHEET: 1 OF 1	
SYTELINE NO.: 5725		TOLERANCE UNLESS NOTED OTHERWISE	
		± 1/2°	± 0.005"
		ANGULAR	DECIMAL
		± 1/16"	± 1 mm
		FRACTIONAL	METRIC
SCALE: NTS			
DRN BY: MCARGILL		20 Dec 2007	
CHK'D BY:			
APP'D. BY:			

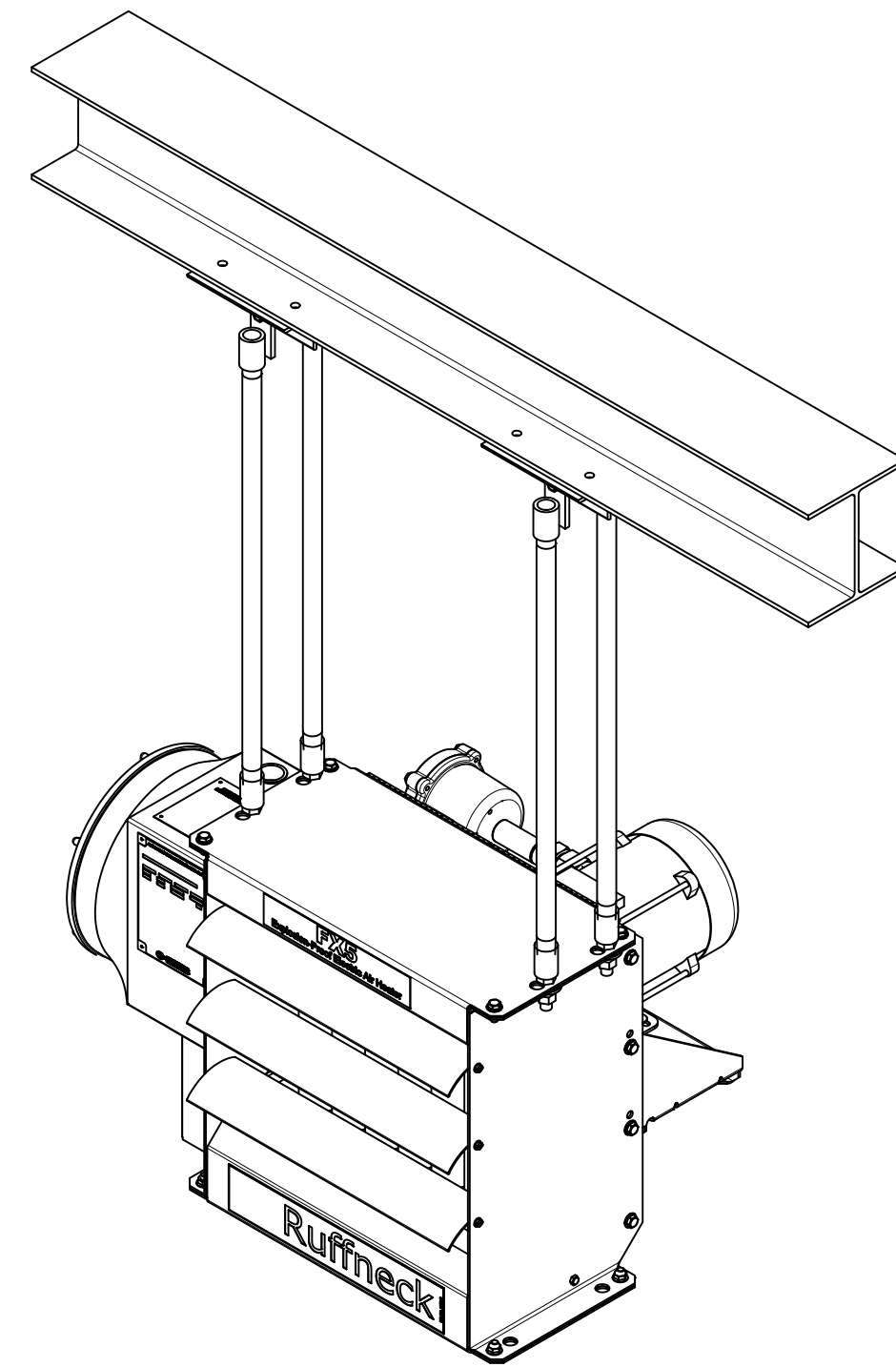


**\*\*SUPPLIED BY CUSTOMER\*\***  
 EIGHT 3/8"Ø, GRADE 5 BOLTS  
 OR EQUIVALENT STRENGTH  
 FASTENERS AND A SUPPORTING  
 STRUCTURE  
 (NOT SHOWN FOR CLARITY)



**\*\*SUPPLIED BY CUSTOMER\*\***  
 FOUR 1/2"Ø, SCH. 40 OR  
 HEAVIER STEEL PIPE  
 THREADED BOTH ENDS  
 1/2" NPT.

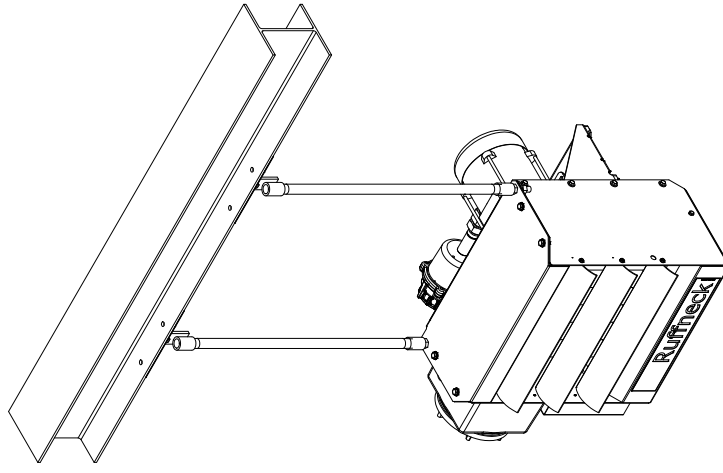
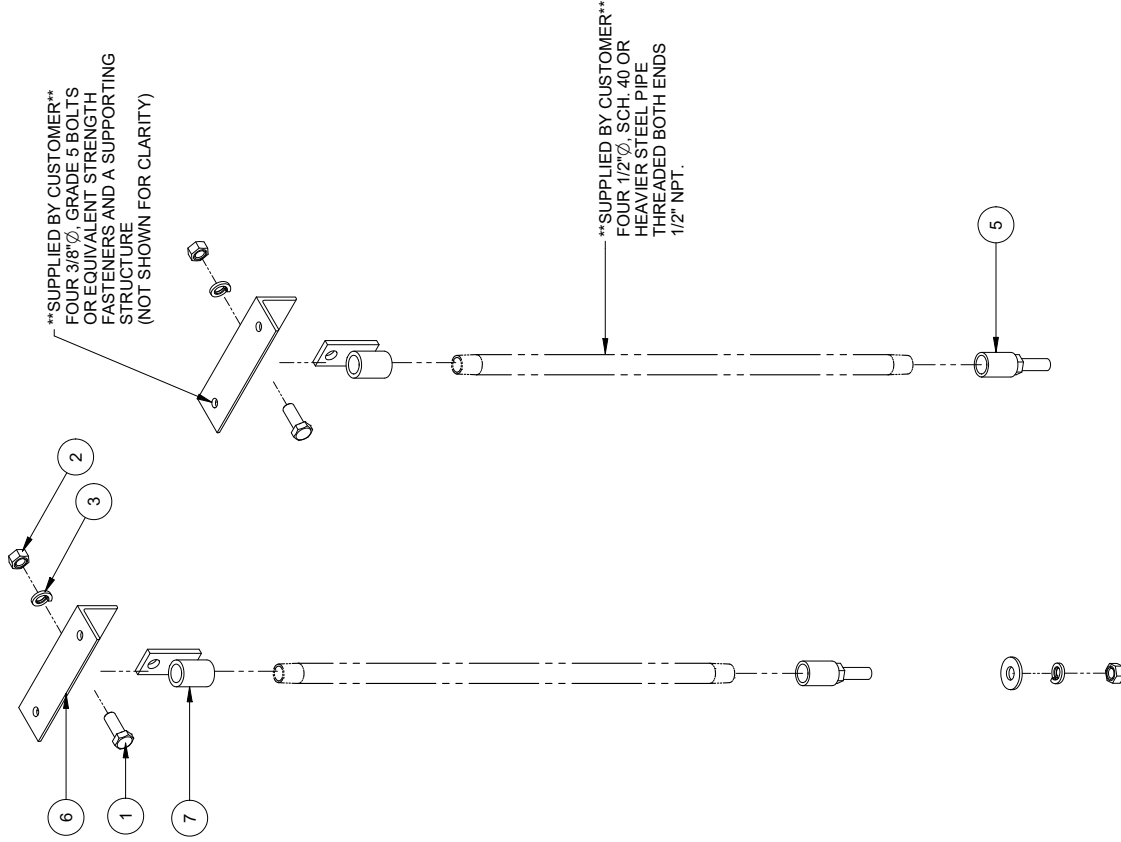
ITEM	QTY	THERMON PART NO	DESCRIPTION
1	4	2940	BOLT 1/2-13UNC x 1 1/4LONG, HEXAGON HEAD
2	8	4372	NUT-1/2-13 UNC-H-SZP
3	8	4373	Lockwasher-1/2-Split-SZP
4	4	2941	WASHER, FLAT 1/2"
5	4	3084	ANGLE, HANGER
6	4	3085	CONNECTOR, HANGER
7	4	4378	ADAPTER HMK



REV.	REVISION DESCRIPTION	DATE	BY
TITLE: MTG Kit, Ruffneck HMK FX5/FX6			
DWG NO.: 9736		SHEET: 1 OF 1	
SYTELINE NO.: 9736		TOLERANCE UNLESS NOTED OTHERWISE	
		± 1/2°	± 0.005"
		ANGULAR	DECIMAL
		± 1/16"	± 1 mm
		FRACTIONAL	METRIC
SCALE: NTS			
DRN BY: MCARGILL		07 Dec 2007	
CHK'D BY:			
APP'D. BY:			



ITEM	QTY	THERMON PART#	DESCRIPTION
1	2	2940	BOLT 1/2-13UNC x 1 1/4LONG, HEXAGON HEAD
2	4	4372	NUT-1/2-13 UNC-H-SZP
3	4	4373	Lockwasher-1/2-Split-SZP
4	2	2941	WASHER, FLAT 1/2"
5	2	4378	ADAPTER HMK
6	2	3084	ANGLE, HANGER
7	2	3085	CONNECTOR, HANGER

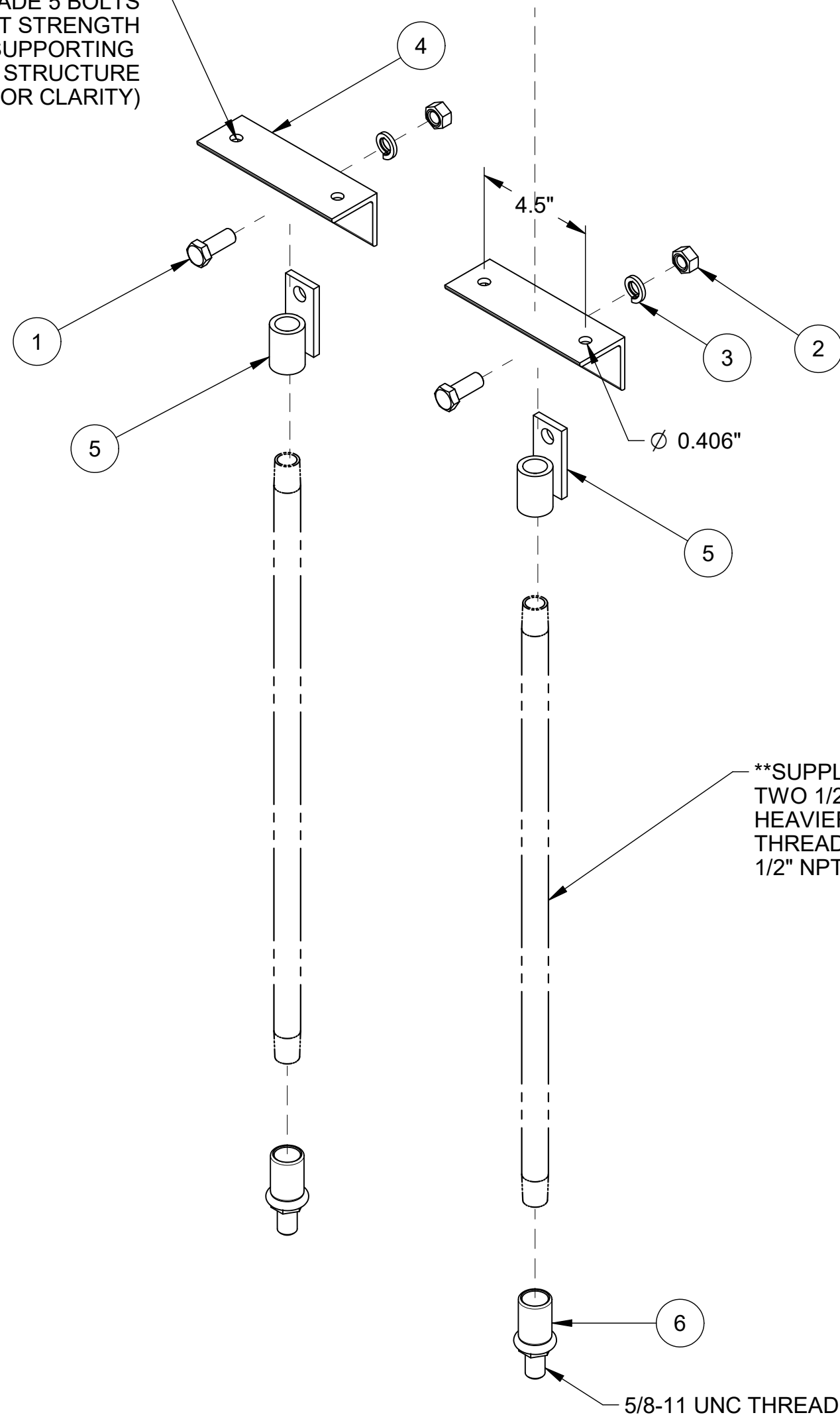


REV.	REVISION DESCRIPTION	DATE	BY
TITLE: MTG Kit, Ruffneck HMK FX4/FE1			
DWG NO.: 4405	SHEET: 1 OF 1	TOLERANCE UNLESS NOTED OTHERWISE	
SYTLINE NO.: 4405		± 1/2°	± 1 mm
SCALE: NTS		ANGULAR	FRACTIONAL METRIC
DRN BY: MCARGILL	18 Dec 2007		
CHK'D BY:			
APP'D. BY:			

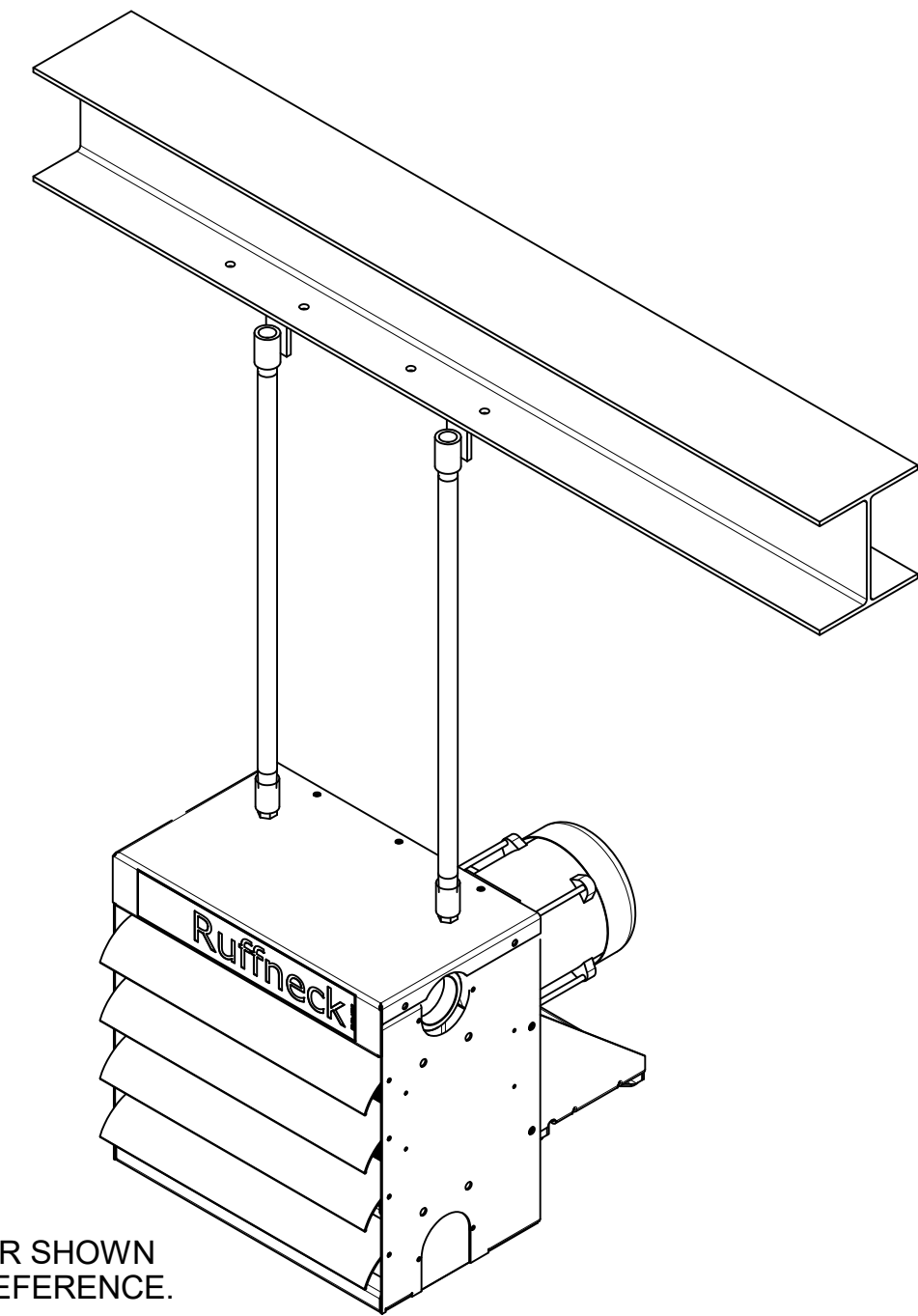


ITEM	QTY	THERMON PART NO	DESCRIPTION
1	2	2940	BOLT 1/2-13UNC x 1 1/4LONG, HEXAGON HEAD
2	2	4372	NUT-1/2-13 UNC-H-SZP
3	2	4373	Lockwasher-1/2-Split-SZP
4	2	3084	ANGLE, HANGER
5	2	3085	CONNECTOR, HANGER
6	2	3088	ADAPTER, HANGER
7*	1	File Name	Title Block

**\*\*SUPPLIED BY CUSTOMER\*\***  
 FOUR 3/8"Ø, GRADE 5 BOLTS  
 OR EQUIVALENT STRENGTH  
 FASTENERS AND A SUPPORTING  
 STRUCTURE  
 (NOT SHOWN FOR CLARITY)



**\*\*SUPPLIED BY CUSTOMER\*\***  
 TWO 1/2"Ø, SCH. 40 OR  
 HEAVIER STEEL PIPE  
 THREADED BOTH ENDS  
 1/2" NPT.



HEATER SHOWN  
 FOR REFERENCE.

REV.	REVISION DESCRIPTION	DATE	BY
TITLE: MTG Kit, Ruffneck HMK FR/HP			
DWG NO.: 5819		SHEET: 1 OF 1	
SYTELINE NO.: 5819		TOLERANCE UNLESS NOTED OTHERWISE	
		± 1/2° ANGULAR	± 0.005" DECIMAL
		± 1/16" FRACTIONAL	± 1 mm METRIC
SCALE: NTS			
DRN BY: MCARGILL		18 Dec 2007	
CHK'D BY:			
APP'D. BY:			

