

WIRING SCHEMATIC

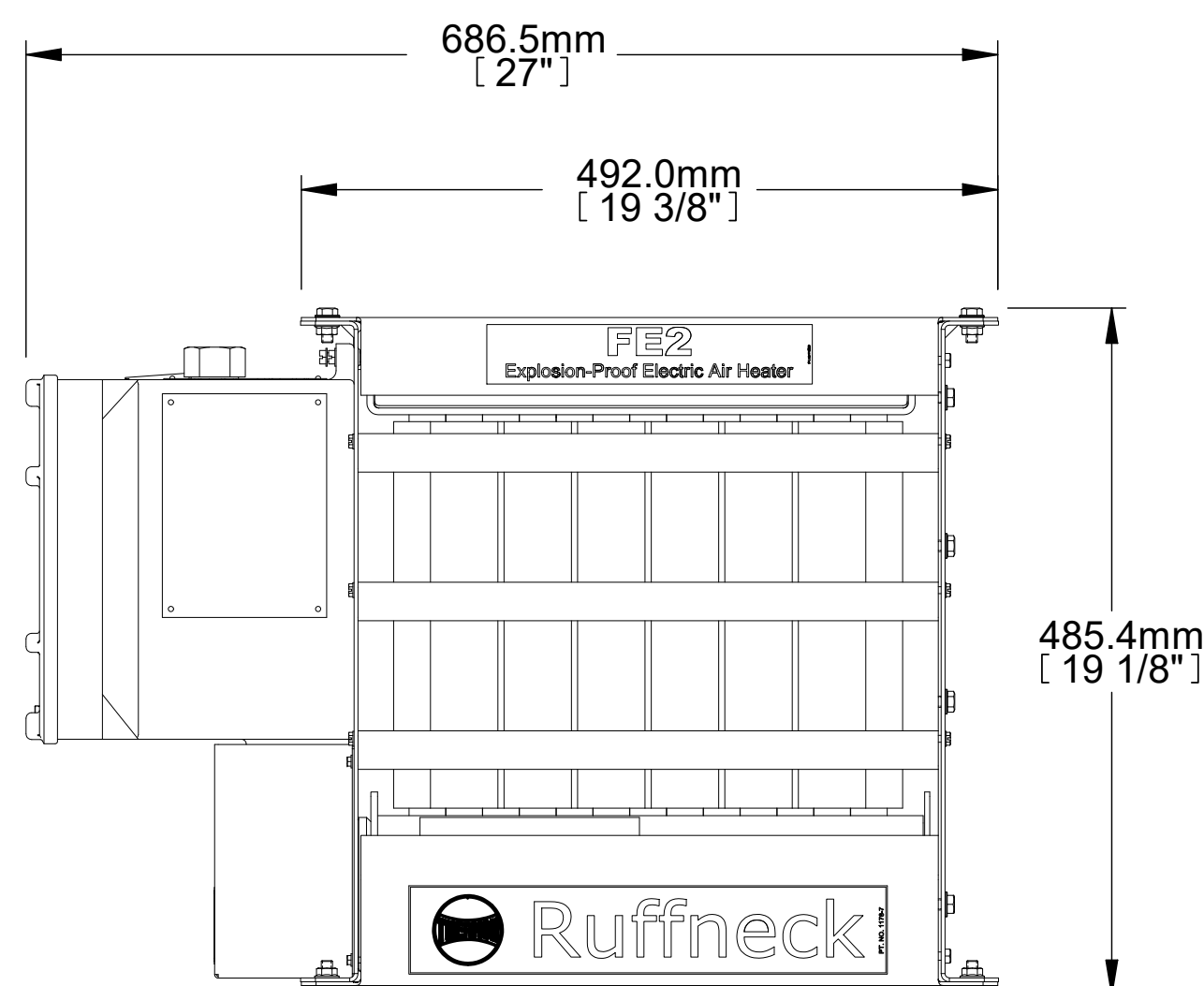
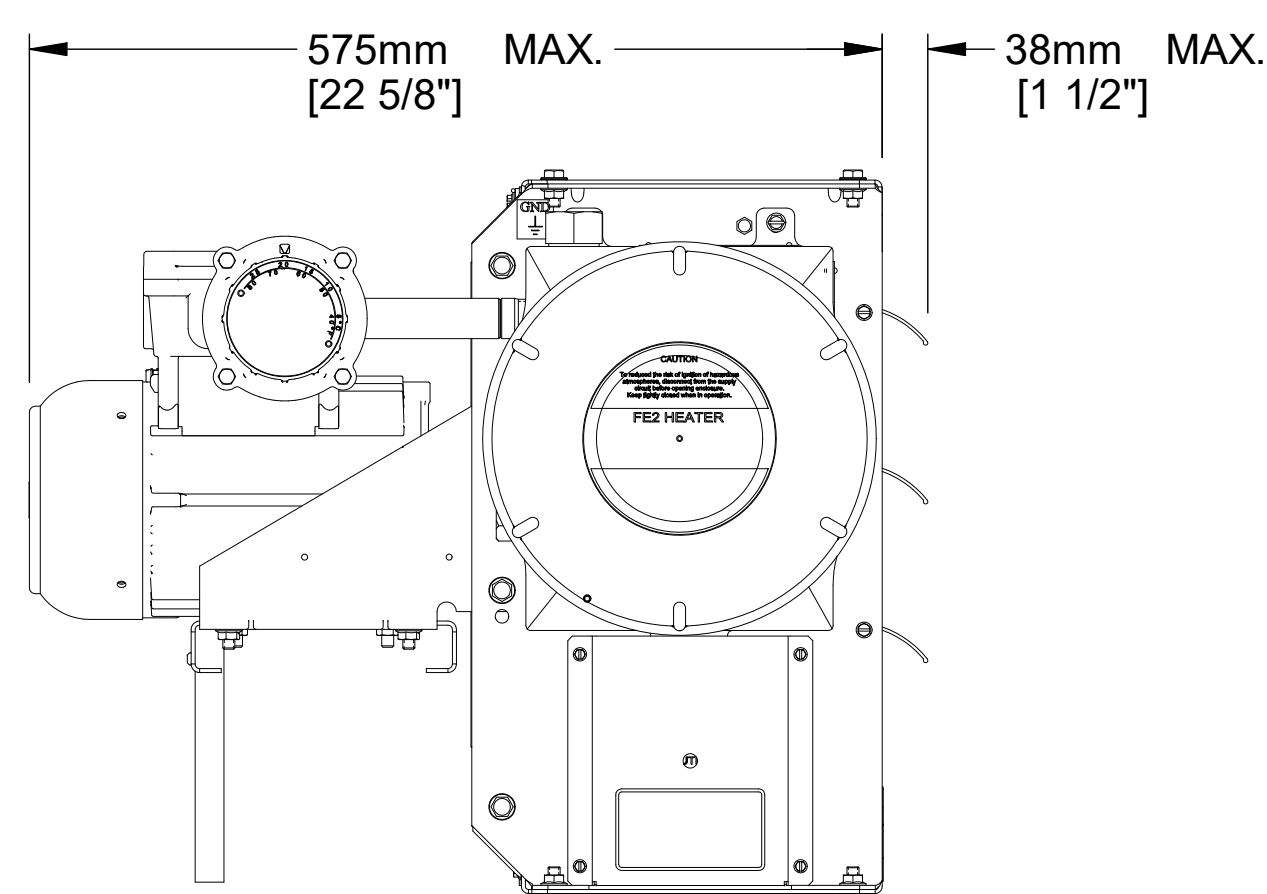
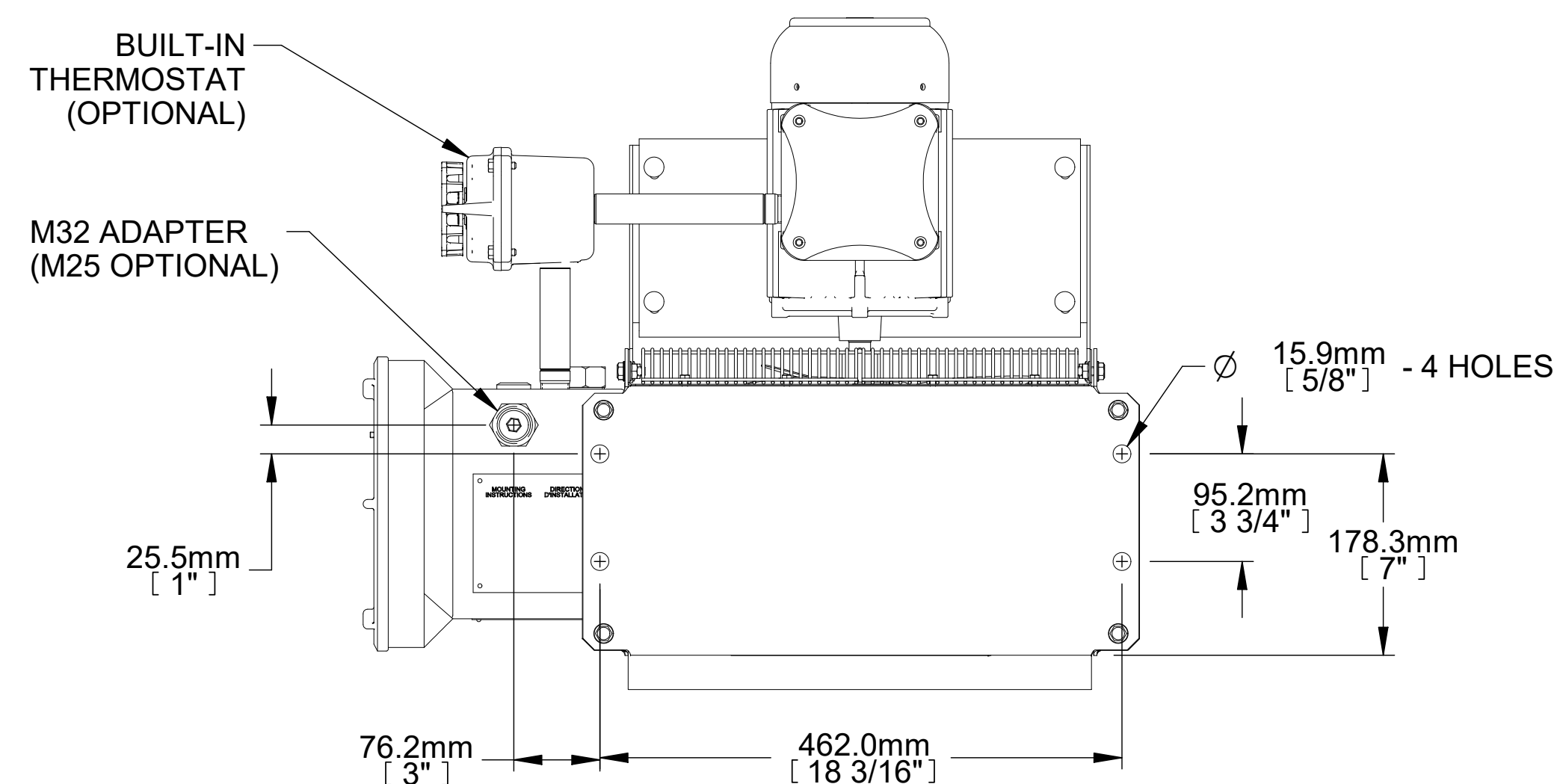
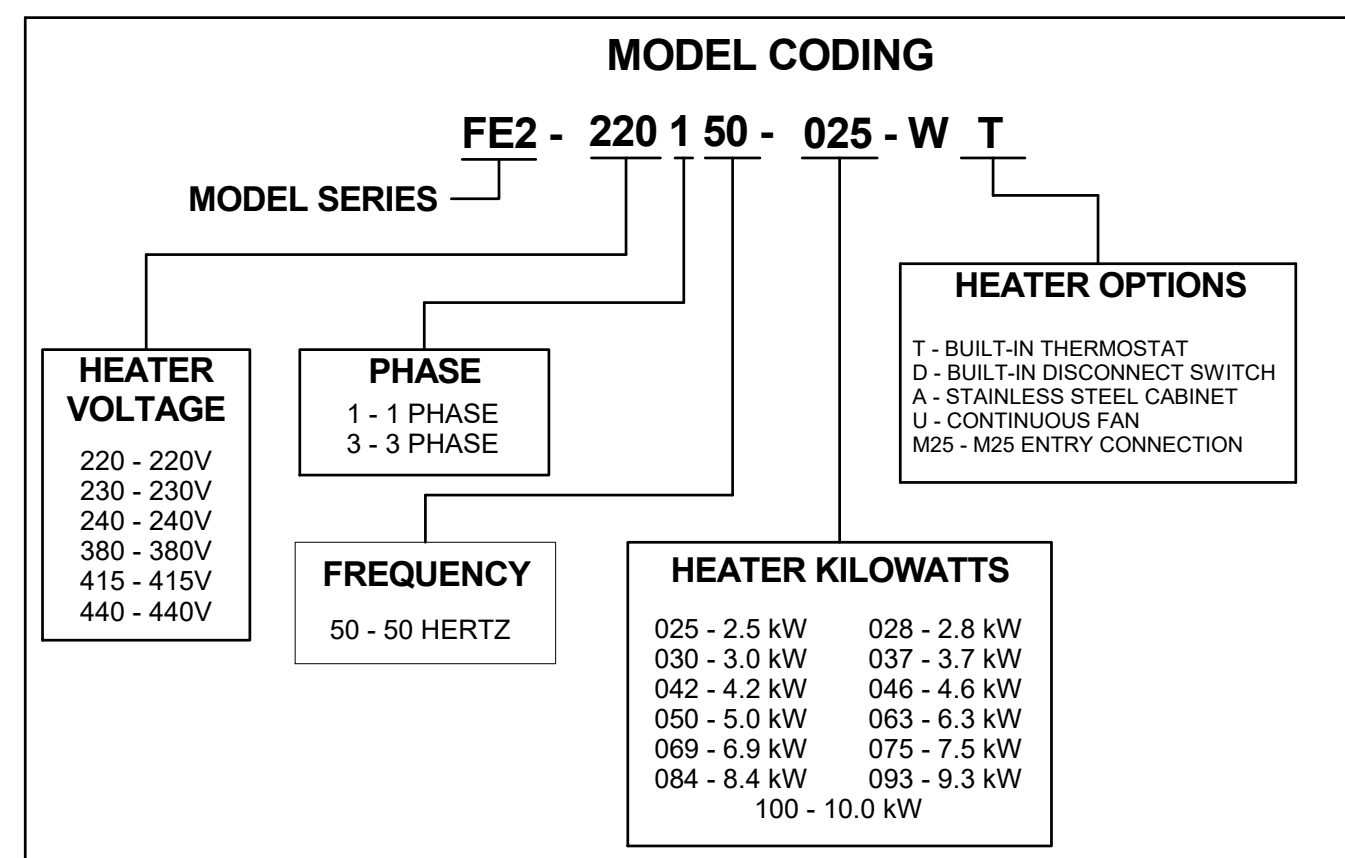


TABLE 1 - TECHNICAL DATA (50HZ)

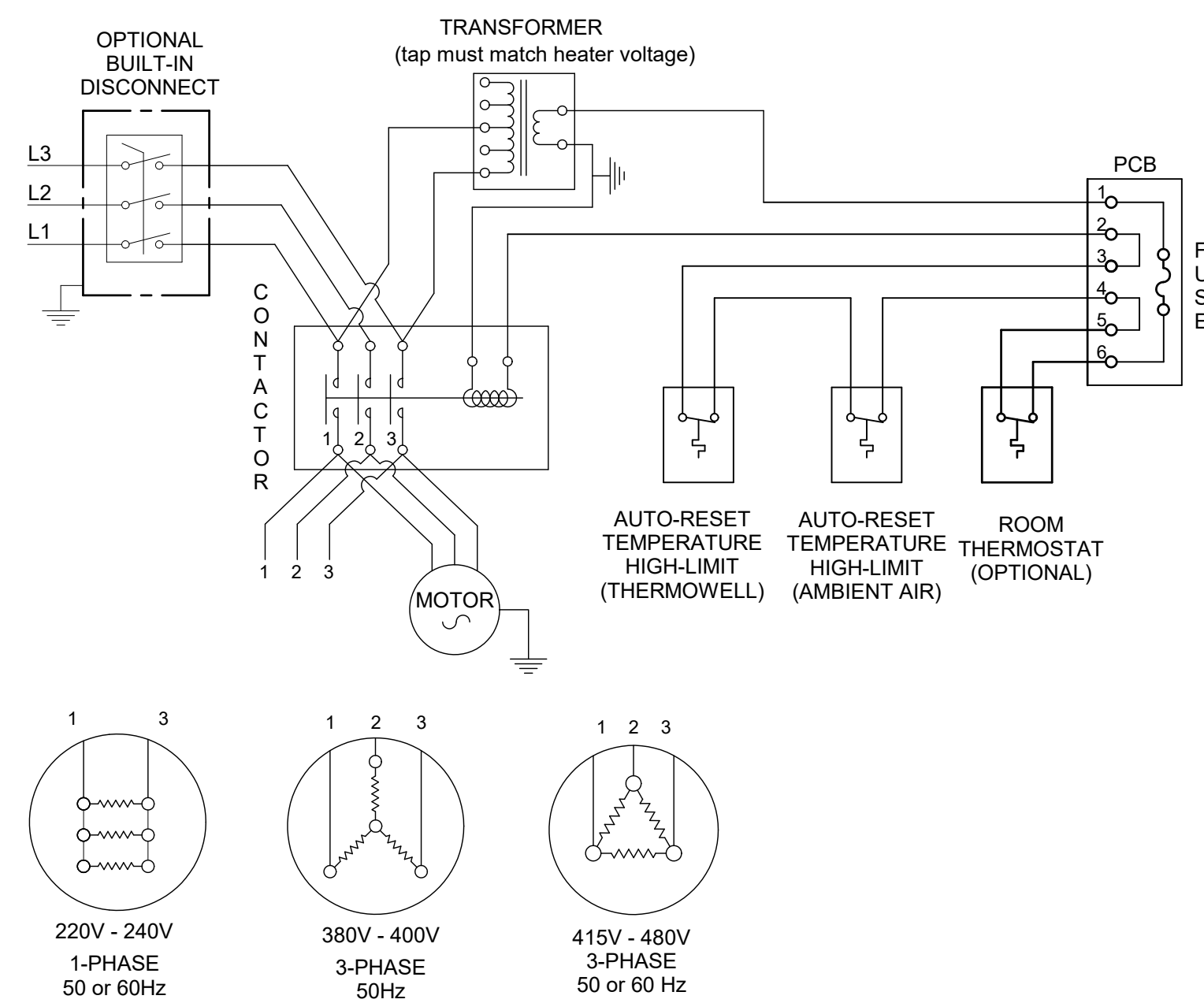
MODEL	OUTPUT (kW)	VOLTAGE (VOLTS)	FREQ. (Hz)	PHASE	CURRENT (AMPS)	AIR FLOW (M ³ /HR) @21°C			
FE2-220150-025	2.5	220	50	1	11.4	702			
FE2-220150-042	4.2				11.1				
FE2-220150-063	6.3				28.6	1193			
FE2-220150-084	8.4				38.2				
FE2-230150-028	2.8	230			1	12.0	694		
FE2-230150-046	4.6					20.0			
FE2-230150-069	6.9			29.9		1180			
FE2-230150-092	9.2			39.9					
FE2-240150-030	3.0	240		50		1	12.4	699	
FE2-240150-050	5.0						20.8		
FE2-240150-075	7.5				31.2		1189		
FE2-240150-100	10.0				41.7				
FE2-380350-025	2.5	380	50		3		3.8	670	
FE2-380350-046	4.6						6.4		
FE2-380350-063	6.3					9.6	1139		
FE2-380350-084	8.4					12.8			
FE2-400350-028	2.8	400				50	3	4.1	680
FE2-400350-046	4.6							6.6	
FE2-400350-069	6.9				10			1155	
FE2-400350-093	9.3				13.4				
FE2-415350-037	3.7	415		50	3			5.1	685
FE2-415350-075	7.5							10.4	
FE2-440350-042	4.2	440					3	5.5	650
FE2-440350-084	8.4							11.0	

NOTES:

- NET WEIGHT: 79 KG
- SHIPPING WEIGHT: 103 KG
- OPERATING AMBIENT TEMP: -20° TO +40°C
-50° TO +40°C FOR SUFFIX "-B" UNITS
- HAZARDOUS LOCATION CLASSIFICATION: Ex II 2 G Ex d IIB T3 Gb
- TEMPERATURE CLASS: T3 200°C
- MATERIALS: CABINET: 12 GA. EPOXY POWDER COATED RUFFNECK GREEN
CORE: STEEL WITH INTEGRAL ALUMINUM FINS
- CERTIFIED TO:
EN 60079-0:2012+A11:2013
EN 60079-1:2007

REV.	REVISION DESCRIPTION	DATE	BY
TITLE: FE2 RUFFNECK HEATER DATA SHEET 2.5 - 10.0 kW @ 50 Hz			
DWG NO.: 51922-D SHEET: 1 OF 2		TOLERANCE UNLESS NOTED OTHERWISE	
SYTLINE NO.: N/A		± 1/2° ANGULAR	± N/A DECIMAL
SCALE: NONE		± 1/8" FRACTIONAL	± 3 mm METRIC
DRN BY: nsanchez		09 May 2016	
CHK'D BY:			
APP'D. BY:			





WIRING SCHEMATIC

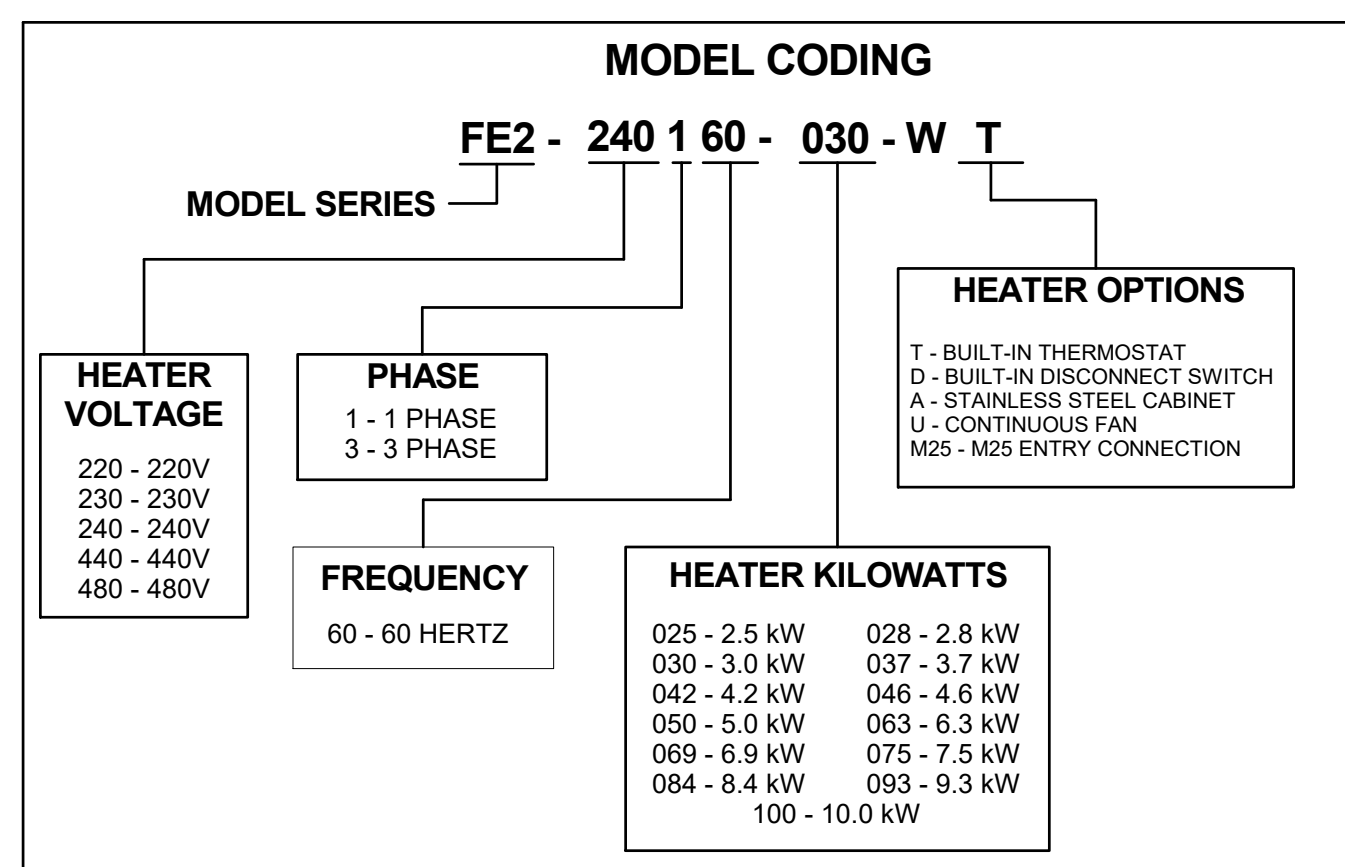
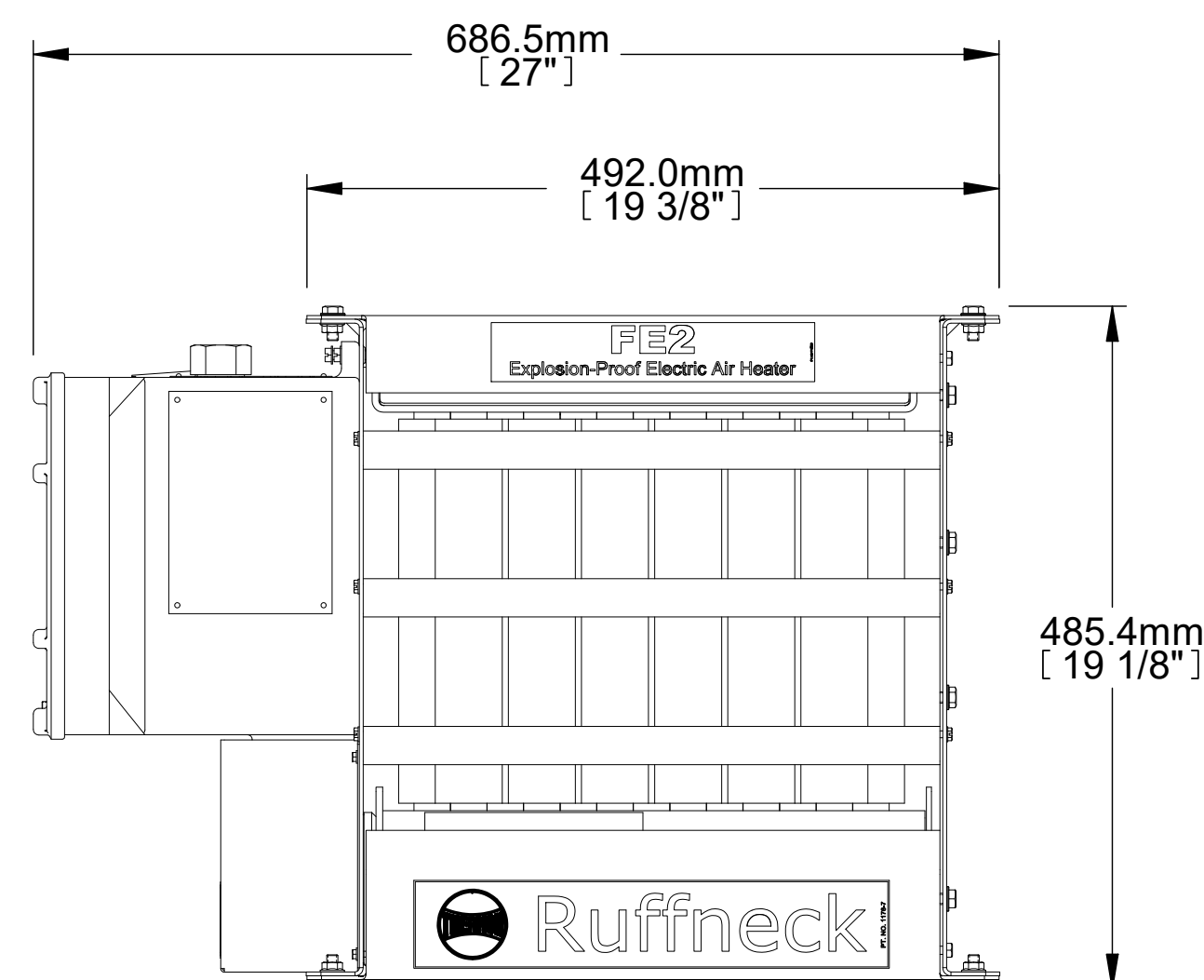
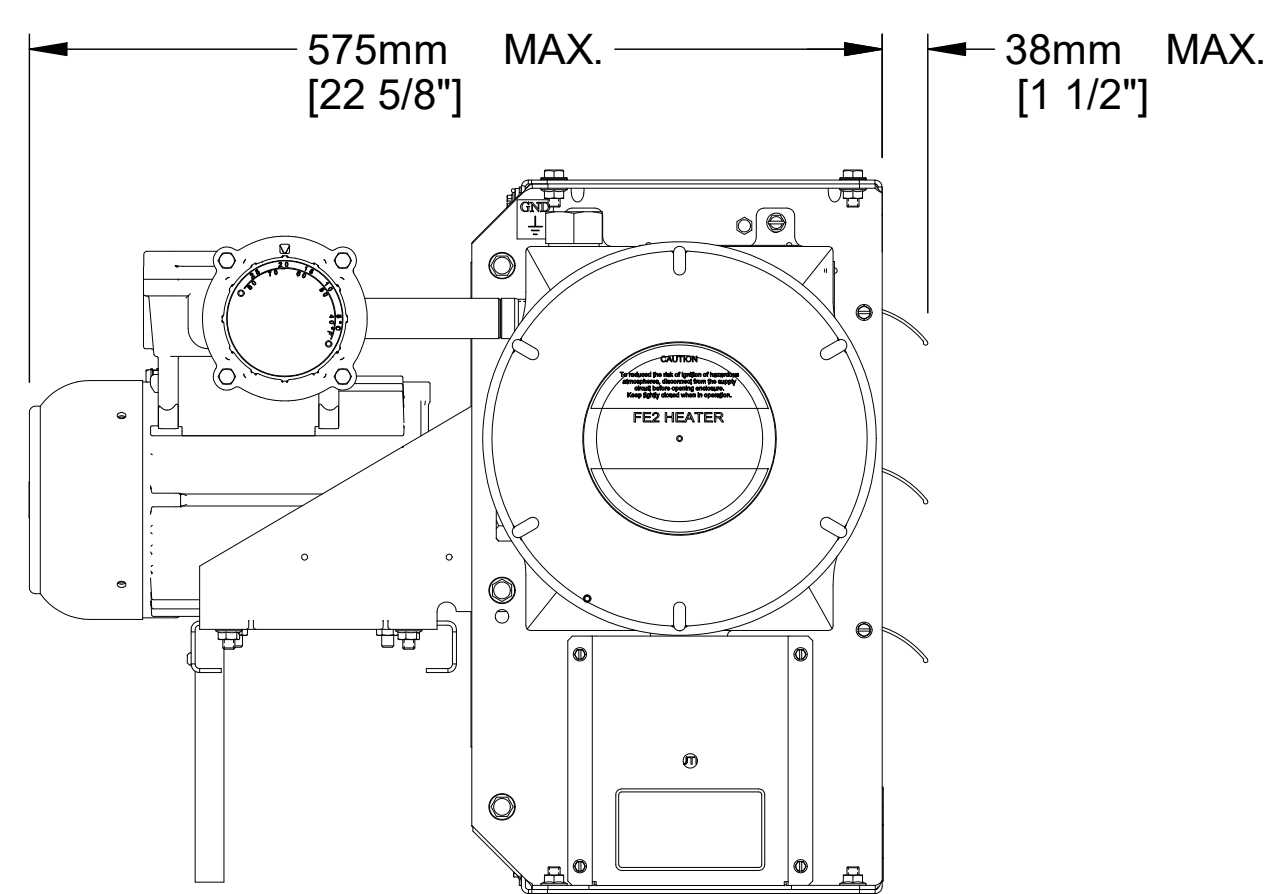
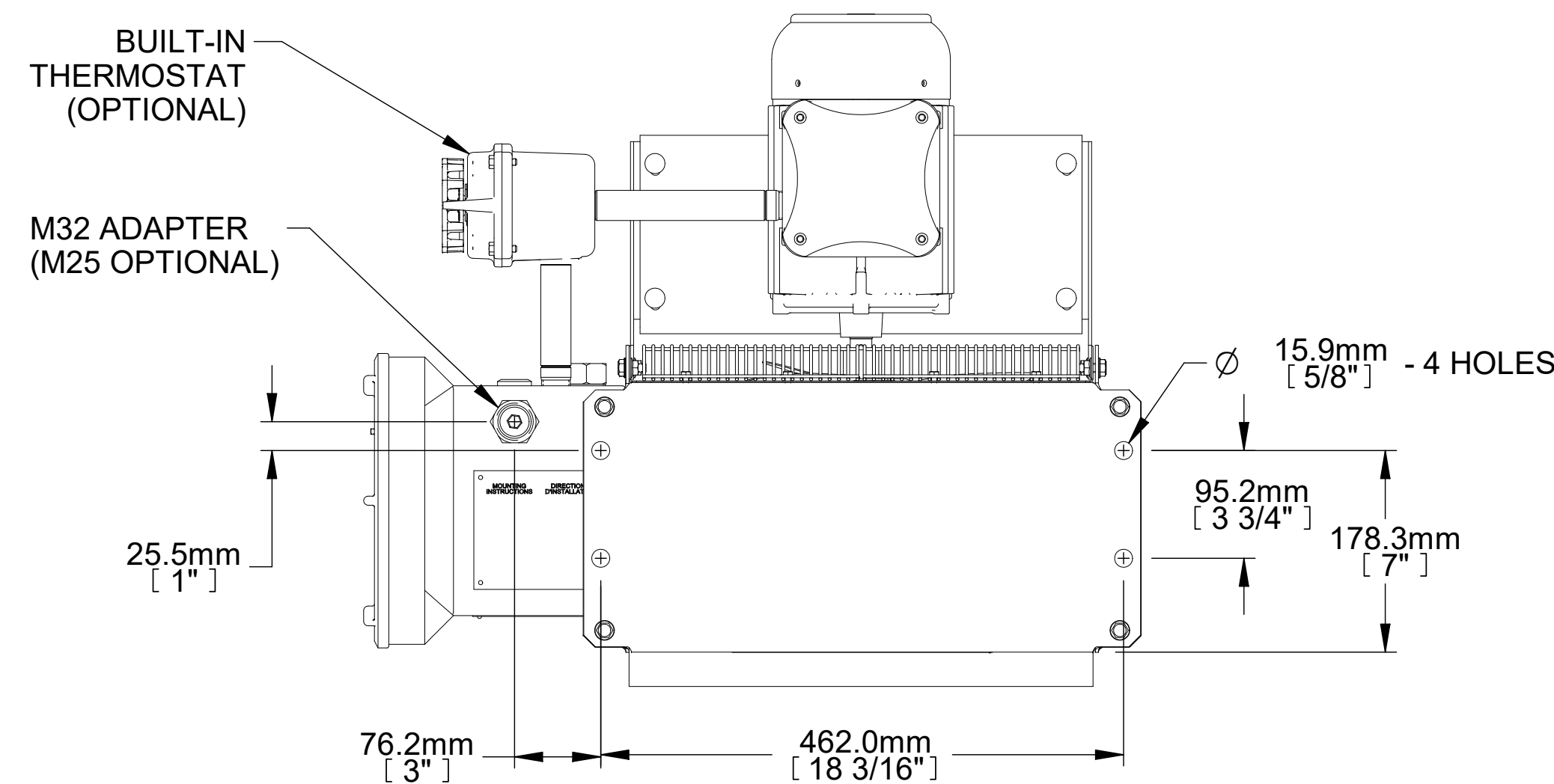


TABLE 1 - TECHNICAL DATA (60HZ)

MODEL	OUTPUT (kW)	VOLTAGE (VOLTS)	FREQ. (Hz)	PHASE	CURRENT (AMPS)	AIR FLOW (M ³ /HR) @ 21°C
FE2-220160-025	2.5	220	60	1	11.4	861
FE2-220160-042	4.2				11.1	
FE2-220160-063	6.3				28.6	
FE2-230160-084	8.4	38.2			1465	
FE2-230160-028	2.8	12.0				
FE2-230160-046	4.6	20.0			866	
FE2-230160-069	6.9	29.9				
FE2-230160-092	9.2	39.9		1472		
FE2-240160-030	3.0	12.4				
FE2-240160-050	5.0	20.8		860		
FE2-240160-075	7.5	31.2				
FE2-240160-100	10.0	41.7		1462		
FE2-440360-042	4.2	5.5	3		780	
FE2-440360-084	8.4	11.0		1325		
FE2-480360-030	3.0	3.6		815		
FE2-480360-050	5.0	6.0		1386		
FE2-480360-075	7.5	9.0				
FE2-480360-100	10.0	12.0				

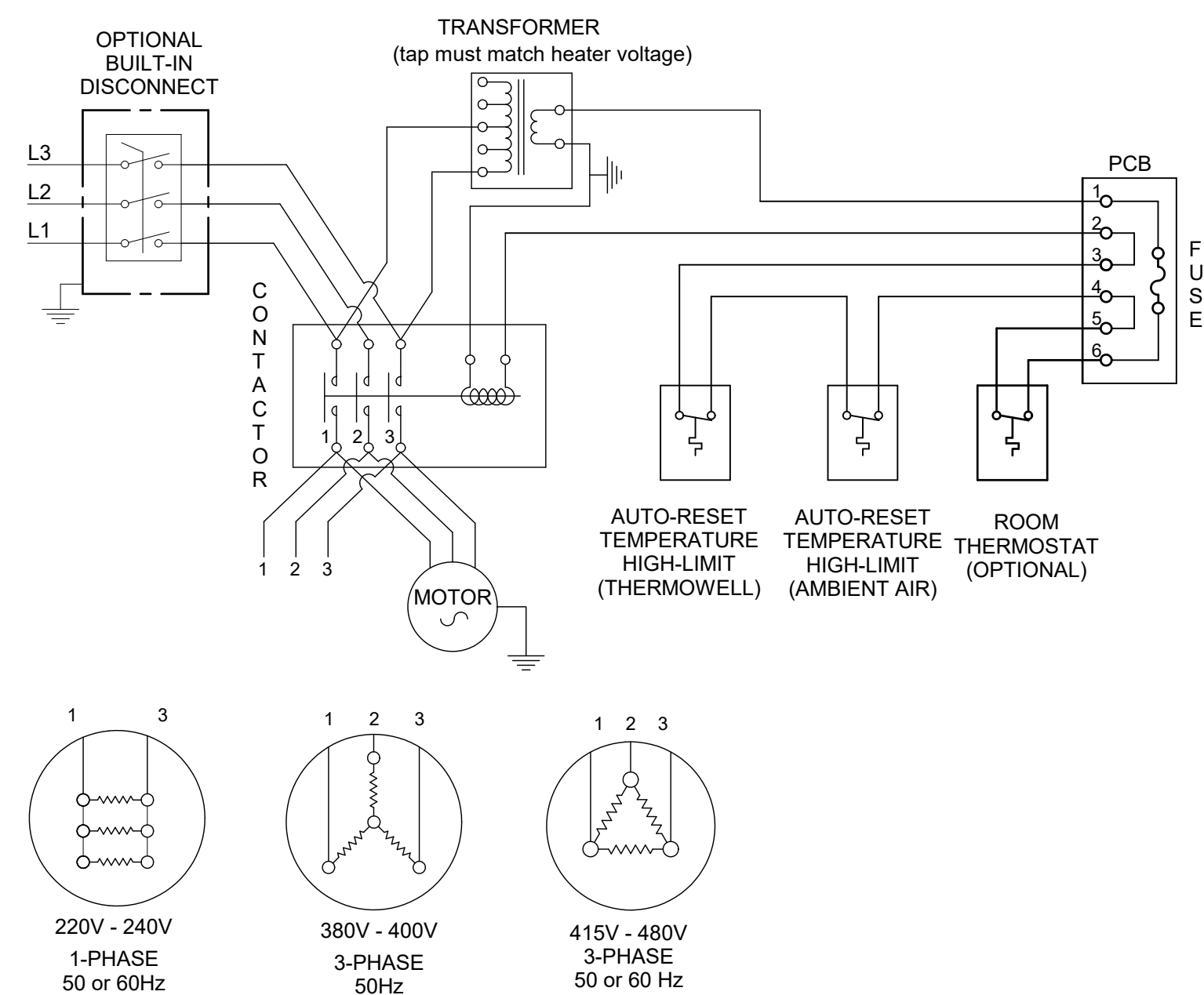
NOTES:

- NET WEIGHT: 79 KG
- SHIPPING WEIGHT: 103 KG
- OPERATING AMBIENT TEMP: -20° TO +40°C
-50° TO +40°C FOR SUFFIX "B" UNITS
- HAZARDOUS LOCATION CLASSIFICATION: Ex II 2 G Ex d IIB T3 Gb
- TEMPERATURE CLASS: T3 200°C
- MATERIALS: CABINET: 12 GA. EPOXY POWDER COATED RUFFNECK GREEN
CORE: STEEL WITH INTEGRAL ALUMINUM FINs
- CERTIFIED TO:
EN 60079-0:2012+A11:2013
EN 60079-1:2007



REV.	REVISION DESCRIPTION	DATE	BY
TITLE: FE2 RUFFNECK HEATER DATA SHEET 2.5 - 10.0 kW @ 60 Hz			
DWG NO.: 51922-D SHEET: 2 OF 2		TOLERANCE UNLESS NOTED OTHERWISE	
SYTLINE NO.: N/A		± 1/2° ANGULAR	± N/A DECIMAL
SCALE: NONE		± 1/8" FRACTIONAL	± 3 mm METRIC
DRN BY: nsanchez		09 May 2016	
CHK'D BY:			
APP'D. BY:			





WIRING SCHEMATIC

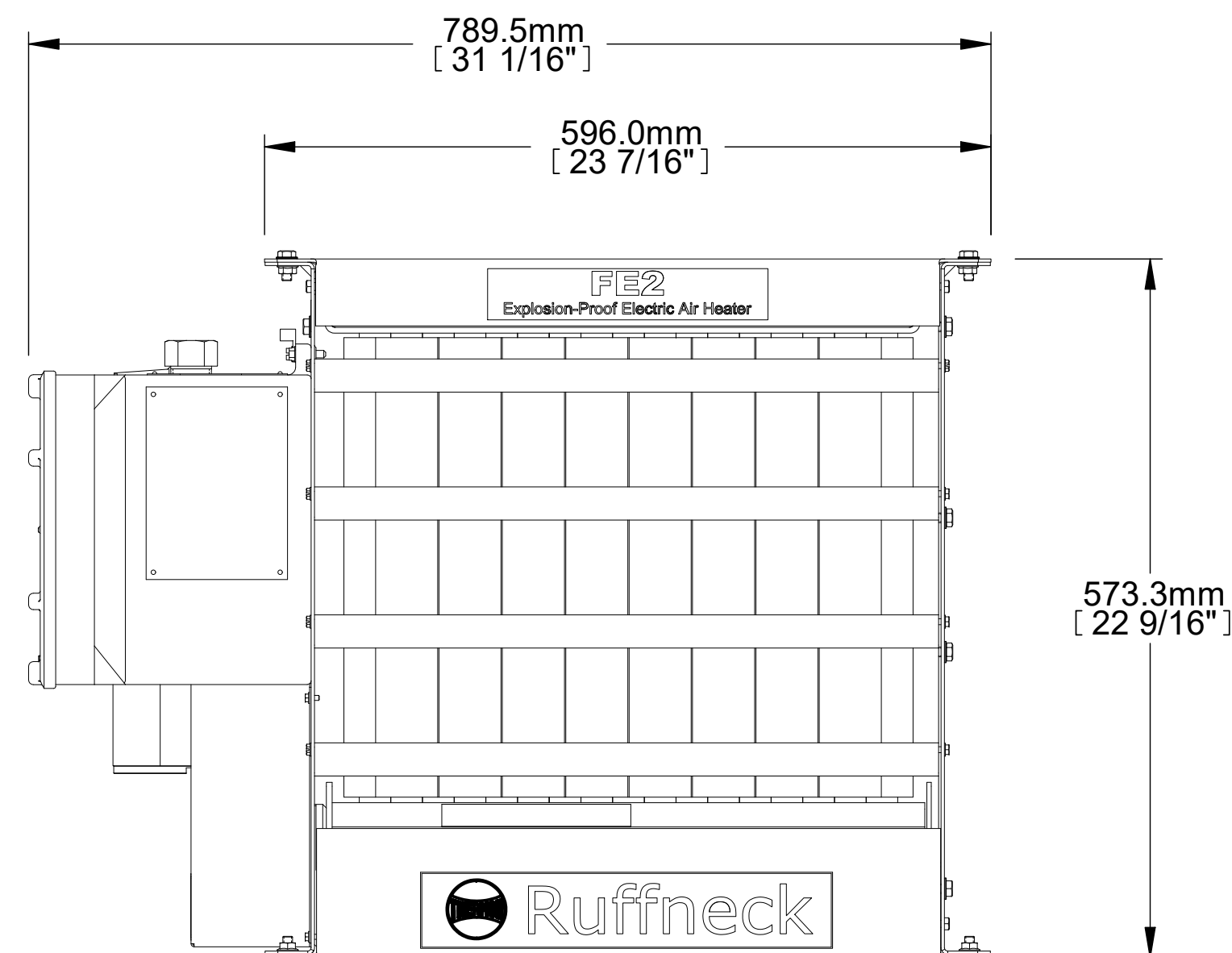
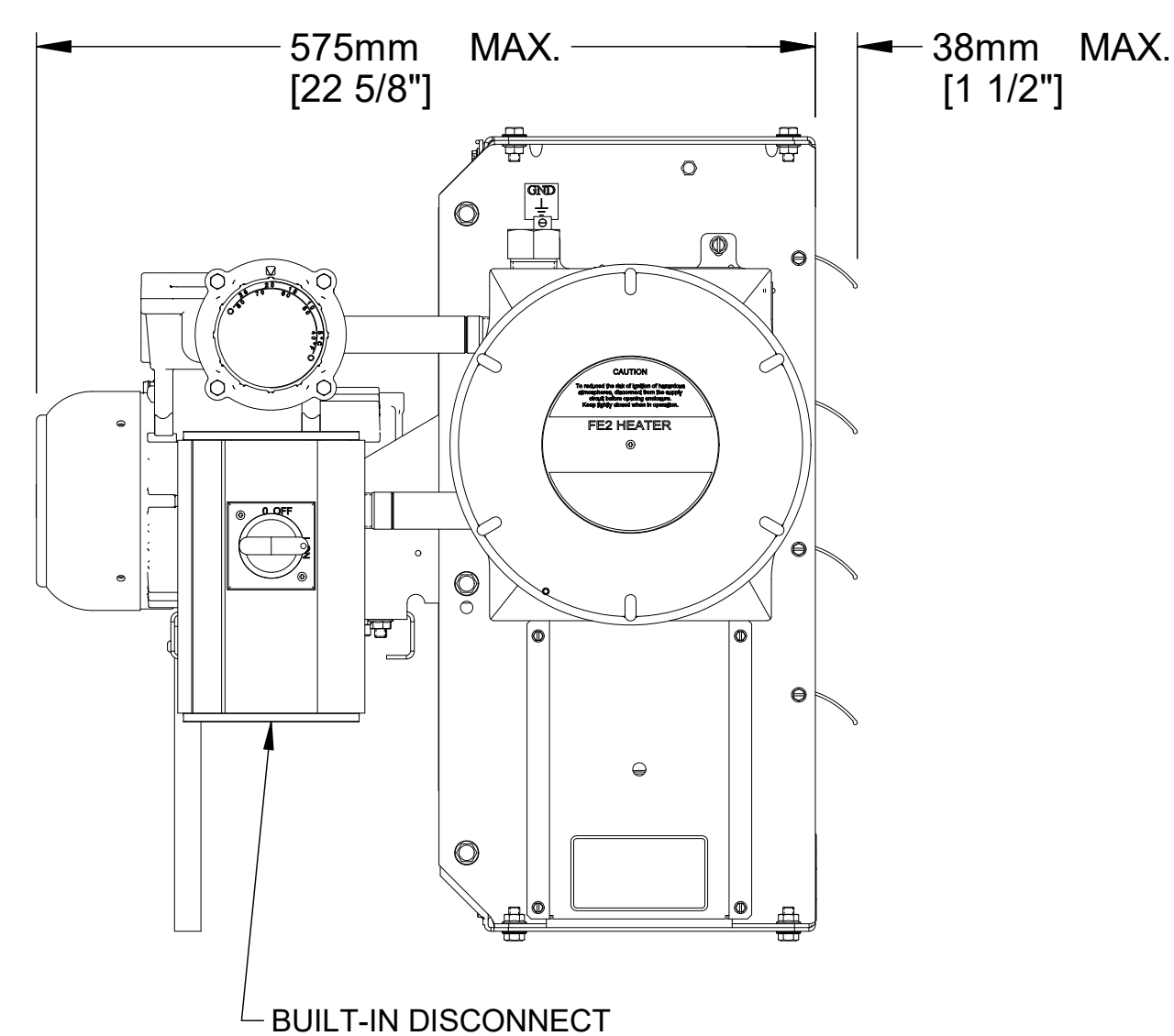
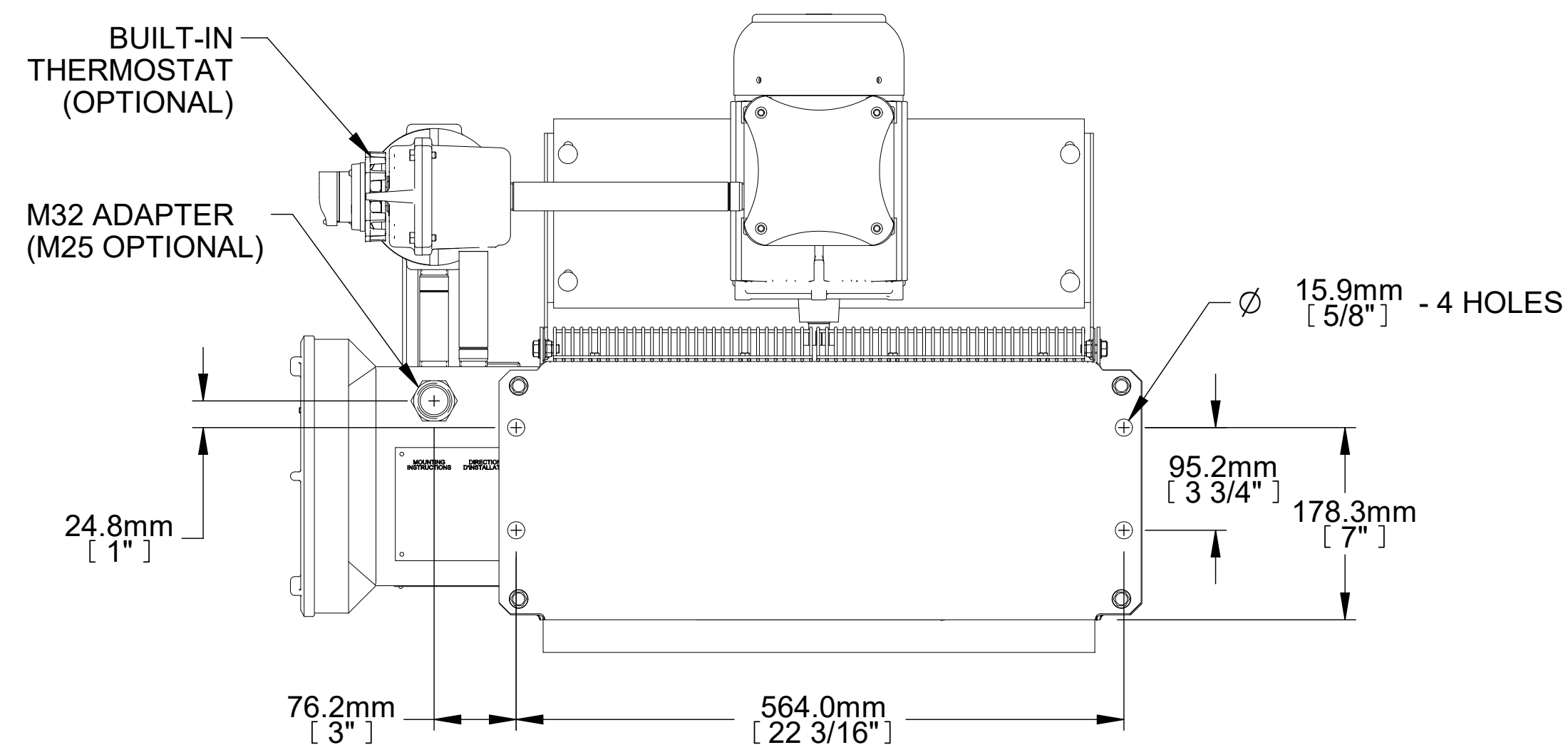
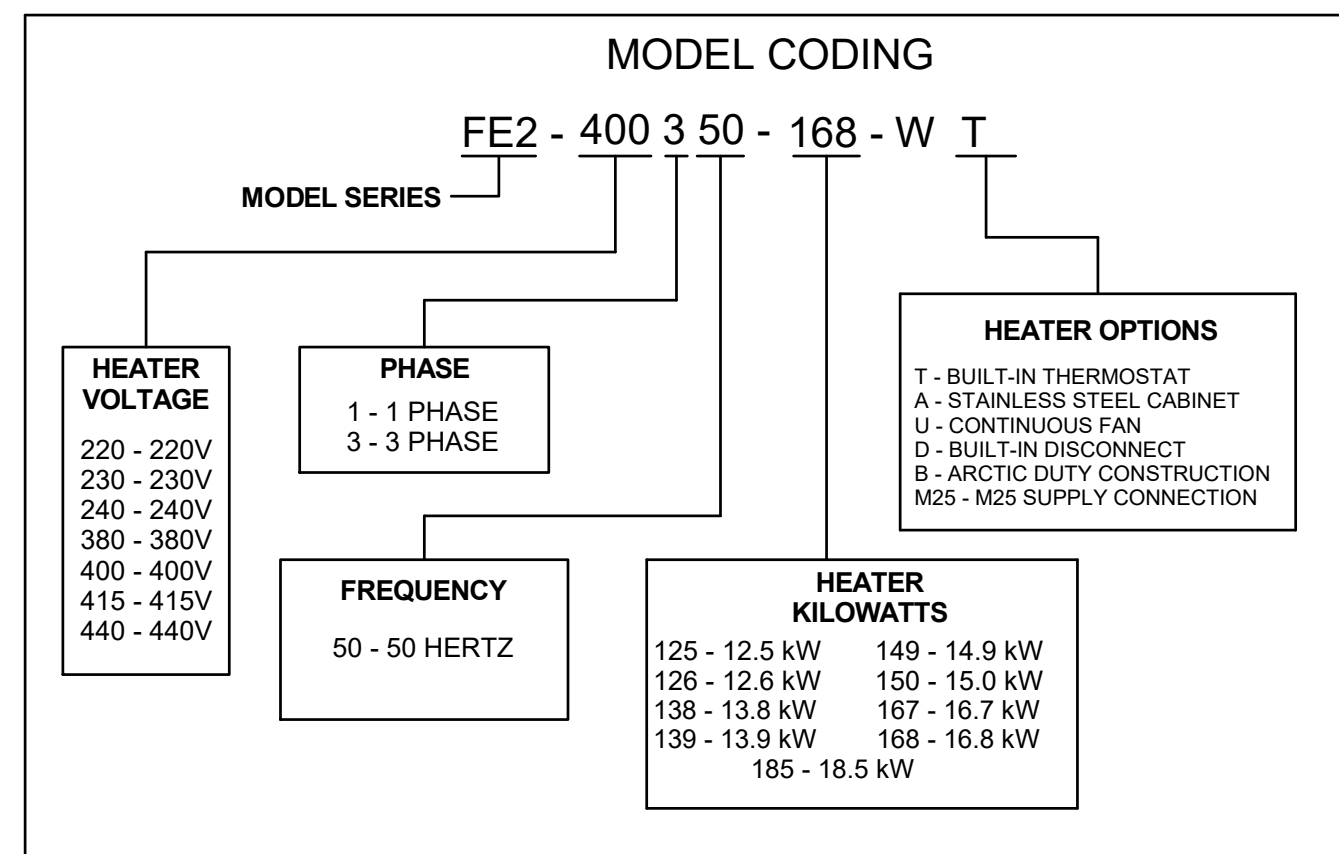


TABLE 1 - TECHNICAL DATA (50HZ)

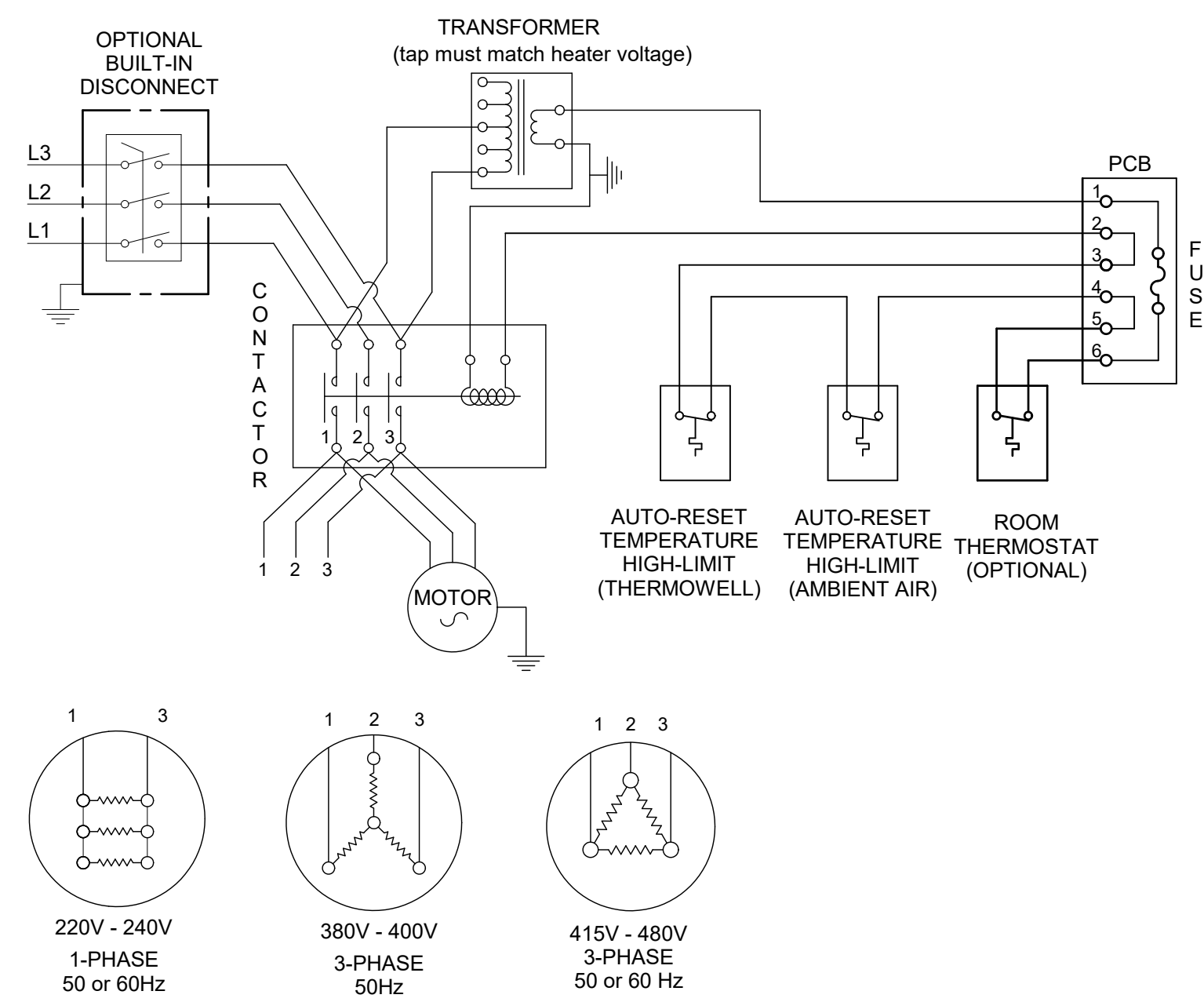
MODEL	OUTPUT (kW)	VOLTAGE (VOLTS)	FREQ. (Hz)	PHASE	CURRENT (AMPS)	AIR FLOW (M ³ /HR) @ 21°C
FE2-220150-126	12.6	220	50	1	57.3	2456
FE2-230150-138	13.8	230			59.9	2430
FE2-240150-150	15.0	240			62.5	2448
FE2-380350-125	12.5	380		3	19.0	2344
FE2-380350-167	16.7	380			25.4	2379
FE2-400350-139	13.9	400			20.1	2379
FE2-400350-185	18.5	400			26.7	2379
FE2-415350-149	14.9	415			20.7	2396
FE2-440350-168	16.8	440			22.0	2273

NOTES:

- NET WEIGHT: 92 KG
- SHIPPING WEIGHT: 114 KG
- OPERATING AMBIENT TEMP: -20° TO +40°C
-50° TO +40°C FOR SUFFIX "-B" UNITS
- HAZARDOUS LOCATION CLASSIFICATION: Ex II 2 G Ex d IIB T3 Gb
- TEMPERATURE CLASS: T3 200°C
- MATERIALS: CABINET: 12 GA. EPOXY POWDER COATED RUFFNECK GREEN
CORE: STEEL WITH INTEGRAL ALUMINUM FINS
- CERTIFIED TO:
EN 60079-0:2012+A11:2013
EN 60079-1:2007

REV.	REVISION DESCRIPTION	DATE	BY
TITLE: FE2 RUFFNECK HEATER DATA SHEET 12.5 - 20.0 kW @ 50 Hz			
DWG NO.: 51924-D SHEET: 1 OF 2		TOLERANCE UNLESS NOTED OTHERWISE	
SYTLINE NO.: N/A		± 1/2"	± N/A
SCALE: NONE		ANGULAR	DECIMAL
DRN BY: nsanchez		± 1/8"	± 3 mm
CHK'D BY:		FRACTIONAL	METRIC
APP'D. BY:		25 Jan 2016	





WIRING SCHEMATIC

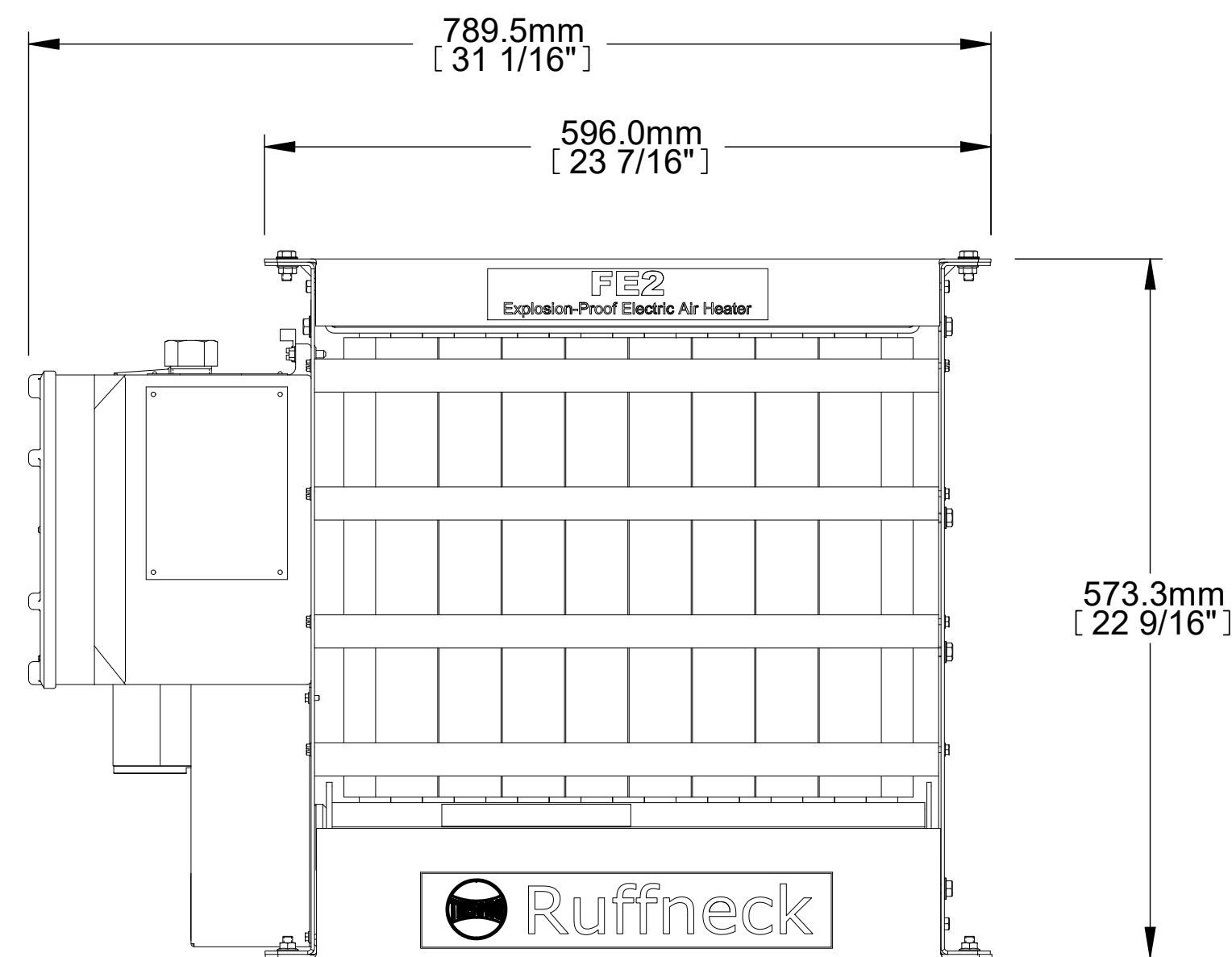
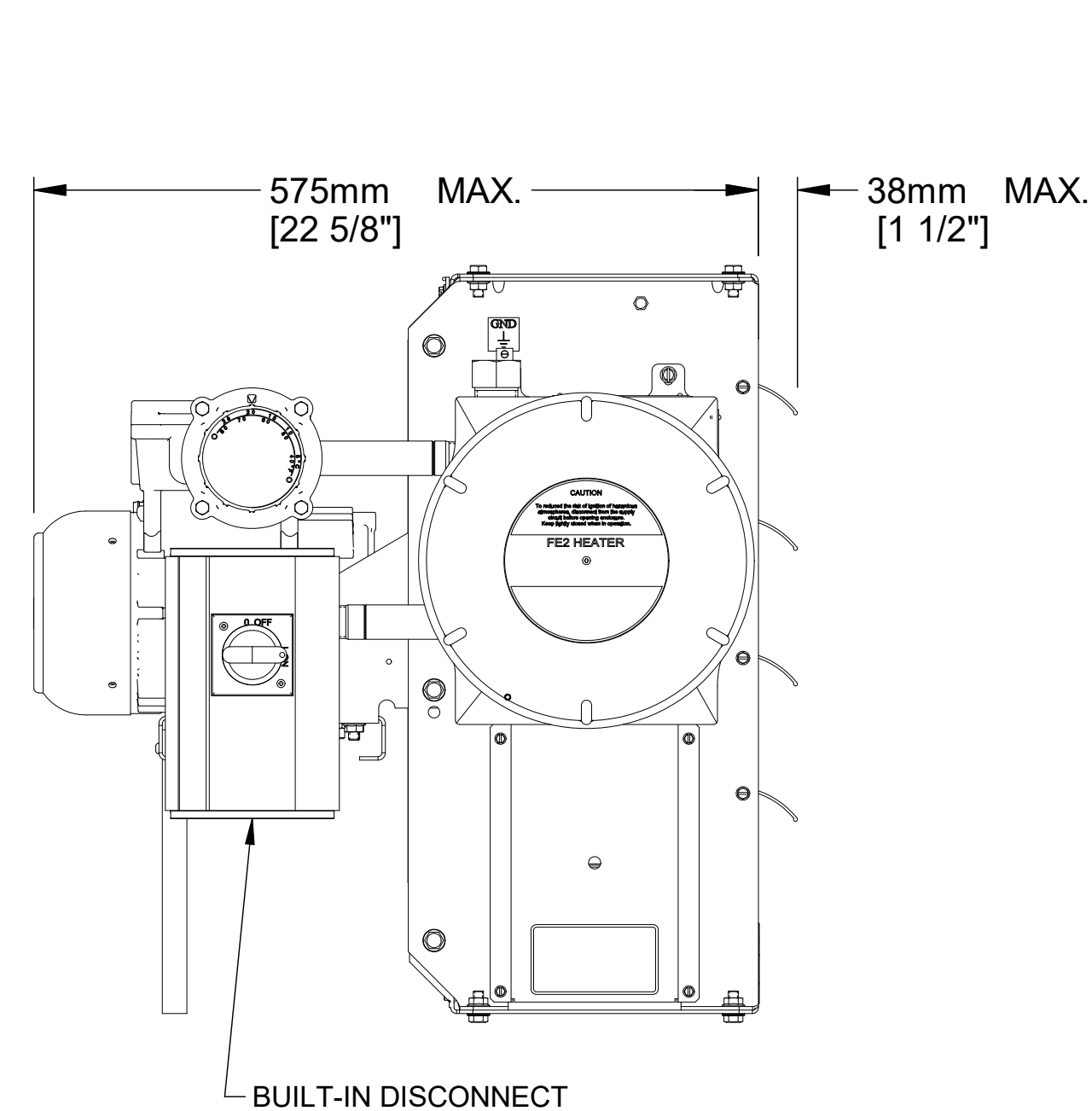
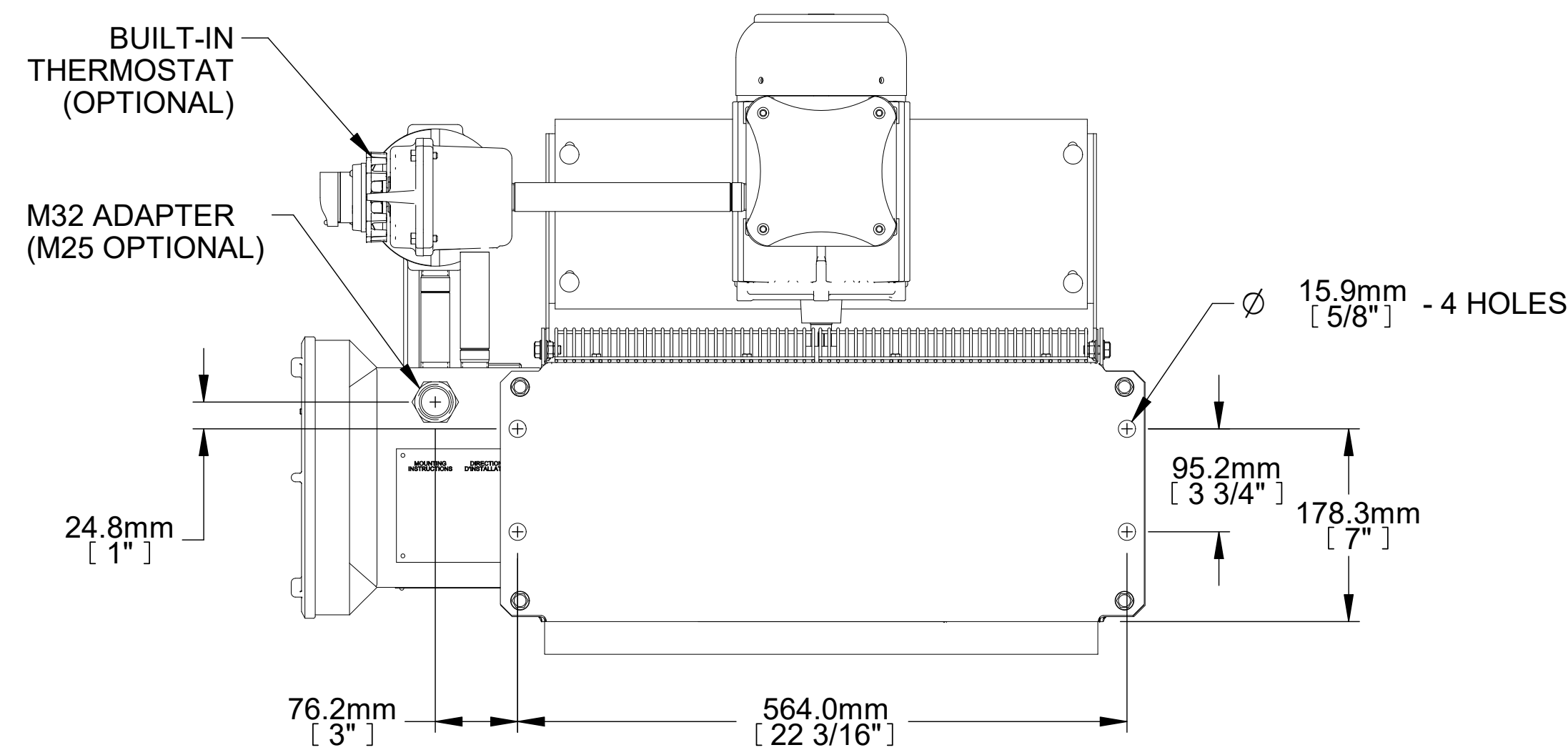
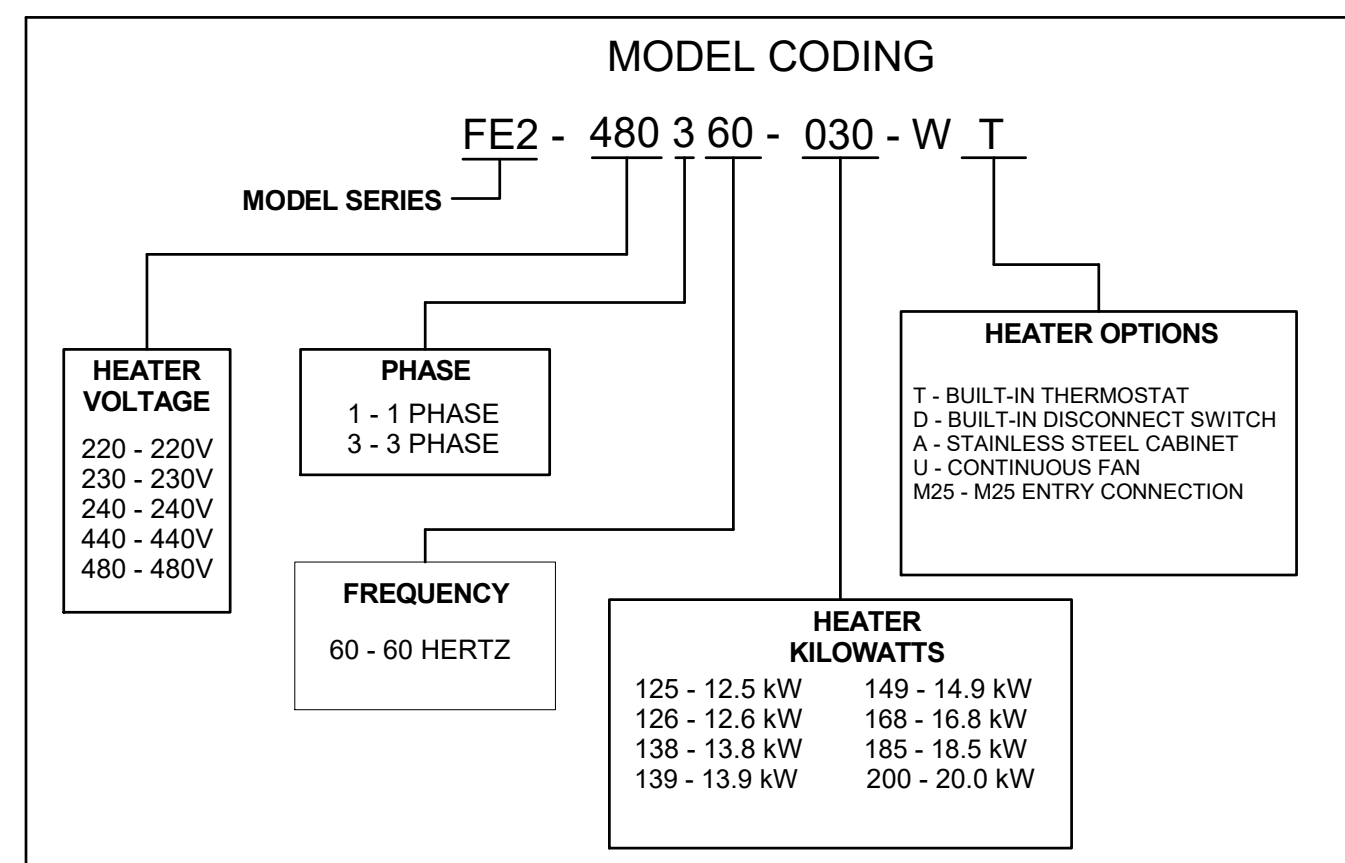


TABLE 1 - TECHNICAL DATA (60HZ)

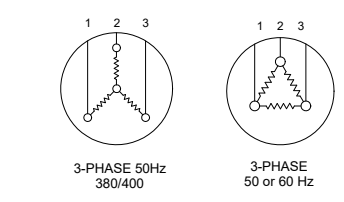
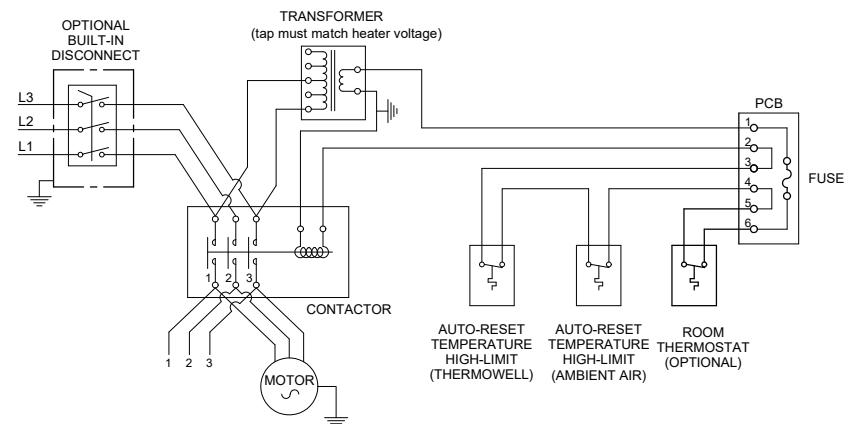
MODEL	OUTPUT (kW)	VOLTAGE (VOLTS)	FREQ. (Hz)	PHASE	CURRENT (AMPS)	AIR FLOW (M ³ /HR) @21°C
FE2-220160-126	12.6	220	60	1	57.3	3015
FE2-230160-138	13.8	230			59.9	3031
FE2-240160-150	15.0	240			62.5	3010
FE2-440360-168	16.8	440		3	22.0	2728
FE2-480360-150	15.0	480			18.0	2853
FE2-480360-200	20.0				24.1	

NOTES:

- NET WEIGHT: 92 KG
- SHIPPING WEIGHT: 114 KG
- OPERATING AMBIENT TEMP: -20° TO +40°C
-50° TO +40°C FOR SUFFIX "B" UNITS
- HAZARDOUS LOCATION CLASSIFICATION: Ex II 2 G Ex d IIB T3 Gb
- TEMPERATURE CLASS: T3 200°C
- MATERIALS: CABINET: 12 GA. EPOXY POWDER COATED RUFFNECK GREEN
CORE: STEEL WITH INTEGRAL ALUMINUM FINS
- CERTIFIED TO:
EN 60079-0:2012+A11:2013
EN 60079-1:2007

REV.	REVISION DESCRIPTION	DATE	BY
TITLE: FE2 RUFFNECK HEATER DATA SHEET 12.5 - 20.0 kW @ 60 Hz			
DWG NO.: 51924-D SHEET: 2 OF 2		TOLERANCE UNLESS NOTED OTHERWISE	
SYTLINE NO.: N/A		± 1/2° ANGULAR	± N/A DECIMAL
SCALE: NONE		± 1/8" FRACTIONAL	± 3 mm METRIC
DRN BY: nsanchez		25 Jan 2016	
CHK'D BY:			
APP'D. BY:			





WIRING SCHEMATIC

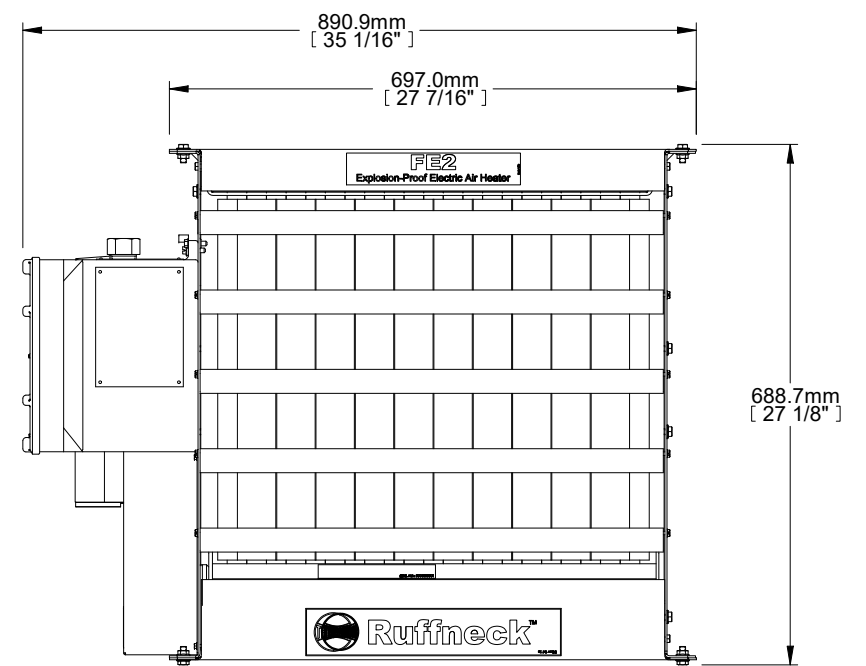
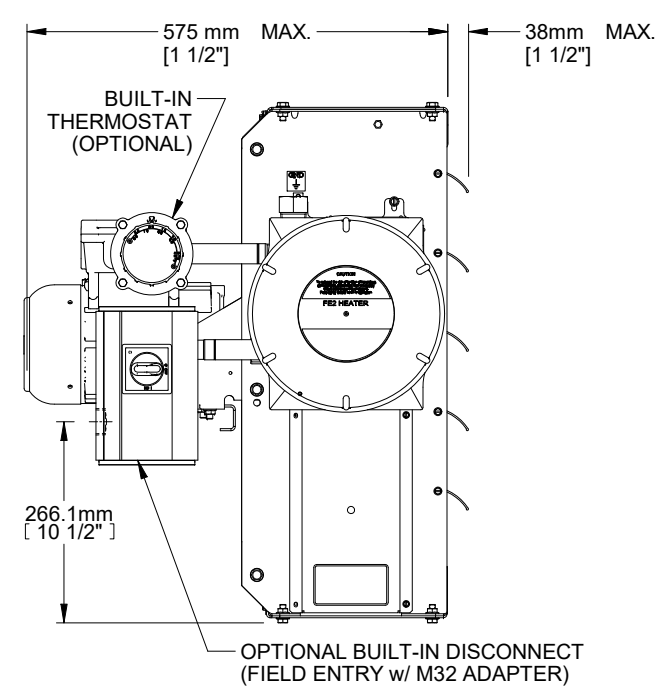
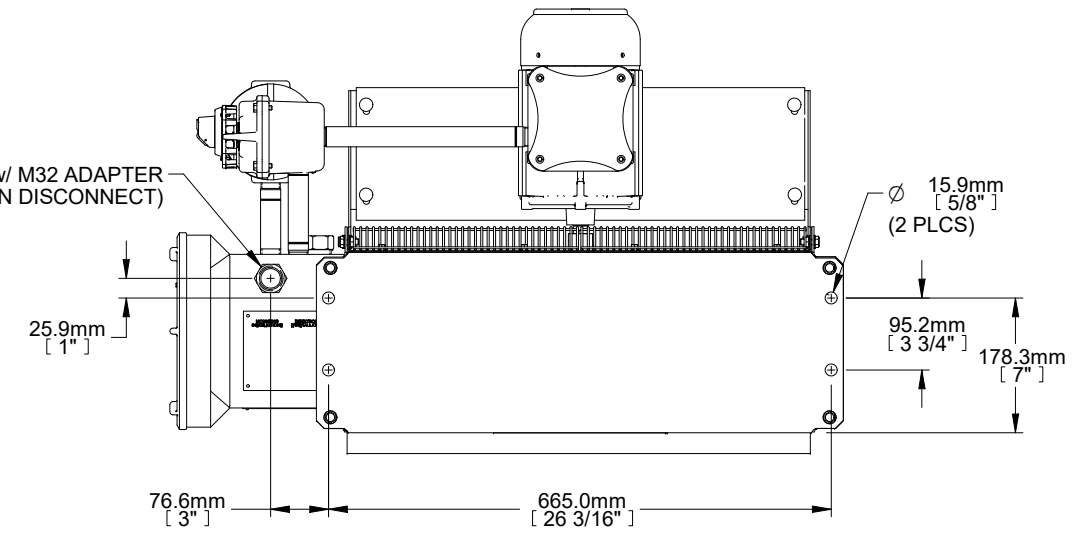
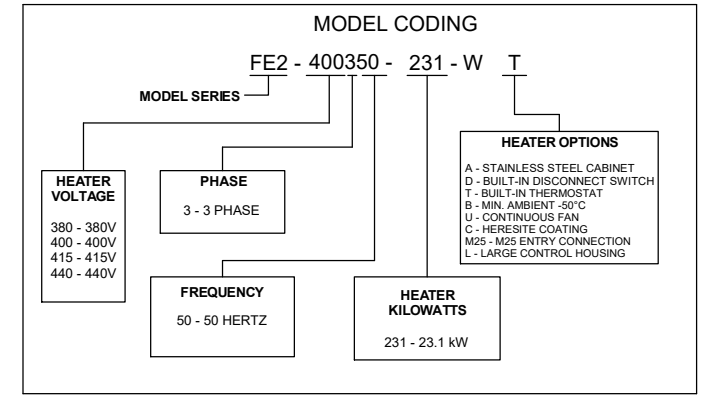


TABLE 1 - TECHNICAL DATA (50HZ)

MODEL	OUTPUT (kW)	VOLTAGE (VOLTS)	FREQ. (Hz)	PHASE	CURRENT (AMPS)	AIR FLOW (M ³ /HR) @21°C
FE2-380350-209	20.9	380	50	3	31.8	4822
FE2-400350-231	23.1	400			33.3	4893
FE2-415350-224	22.4	415			31.2	4929
FE2-415350-262	26.2				36.5	
FE2-440350-210	21.0	440			27.6	4677
FE2-440350-252	25.2				33.1	
FE2-440350-294	29.4		38.6			

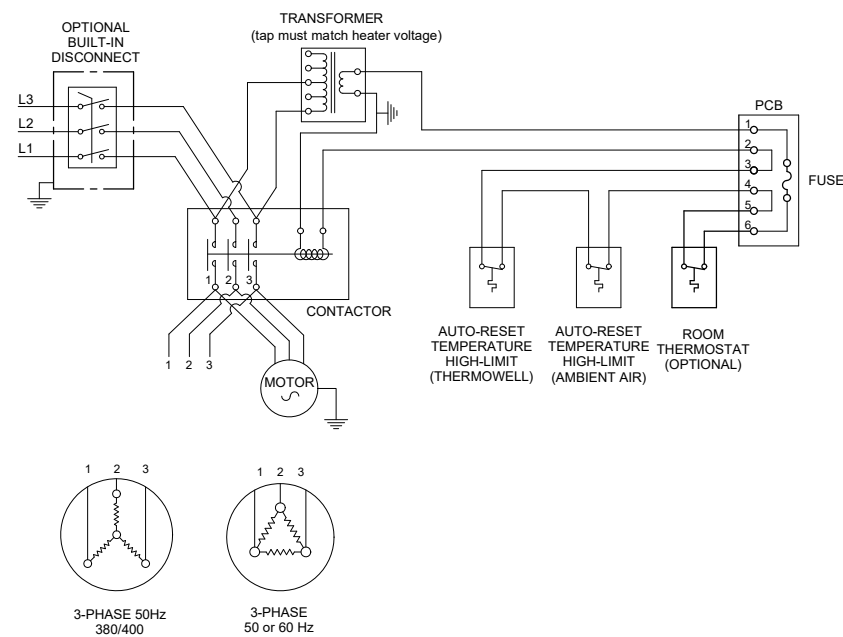
NOTES:

- NET WEIGHT: 107 KG
- SHIPPING WEIGHT: 130 KG
- OPERATING AMBIENT TEMP: -20° TO +40°C
-50° TO +40°C FOR SUFFIX "-B" UNITS
- HAZARDOUS LOCATION CLASSIFICATION: Ex II 2 G Ex d IIB T3 Gb
- TEMPERATURE CLASS: T3 200°C
- MATERIALS: CABINET: 12 GA. STEEL EPOXY POWDER COATED RUFFNECK GREEN (Standard build) or 12 GA. 304 STAINLESS STEEL (Model code "A")
CORE: STEEL WITH INTEGRAL ALUMINUM FINS
- CERTIFIED TO:
EN 60079-0:2012+A11:2013
EN 60079-1:2007

REV.	REVISION DESCRIPTION	DATE	BY
2	UPDATE TO OPTIONAL FEATURES	16 APR 2018	NJS
1	UPDATED PANELS AND MATERIAL	18 JUN 2015	GM

TITLE: FE2 RUFFNECK HEATER DATA SHEET
20 - 30 kW @ 50 Hz

TOLERANCE UNLESS NOTED OTHERWISE			
± 1/2° ANGULAR	± N/A DECIMAL	± 1/8" FRACTIONAL	± 3 mm METRIC
DWG NO.: 51924-D SHEET: 1 of 2			
PART NO.: N/A			
SCALE: NONE			
DRN BY: nsanchez		15 Jan 2016	
CHK'D BY:			
APP'D. BY:			



WIRING SCHEMATIC

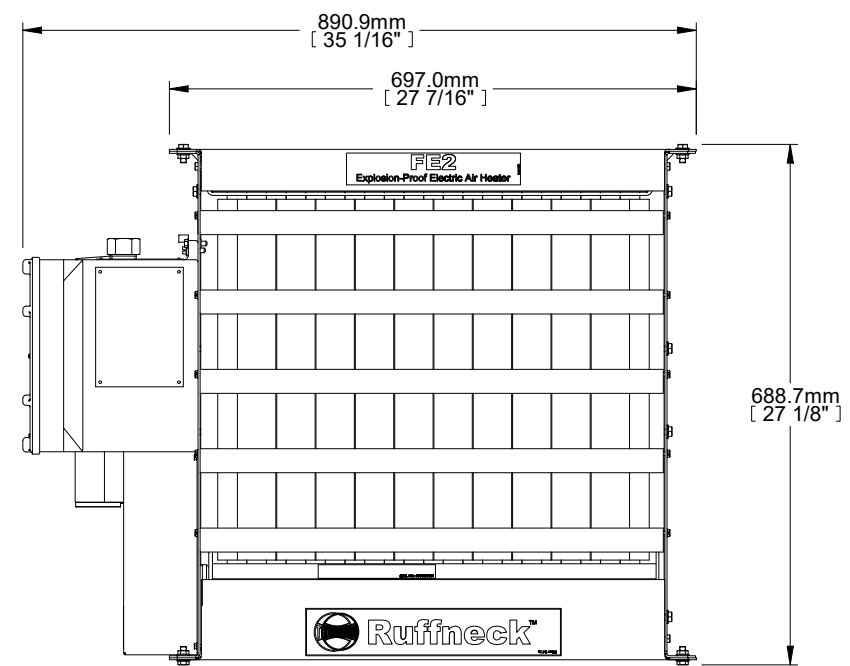
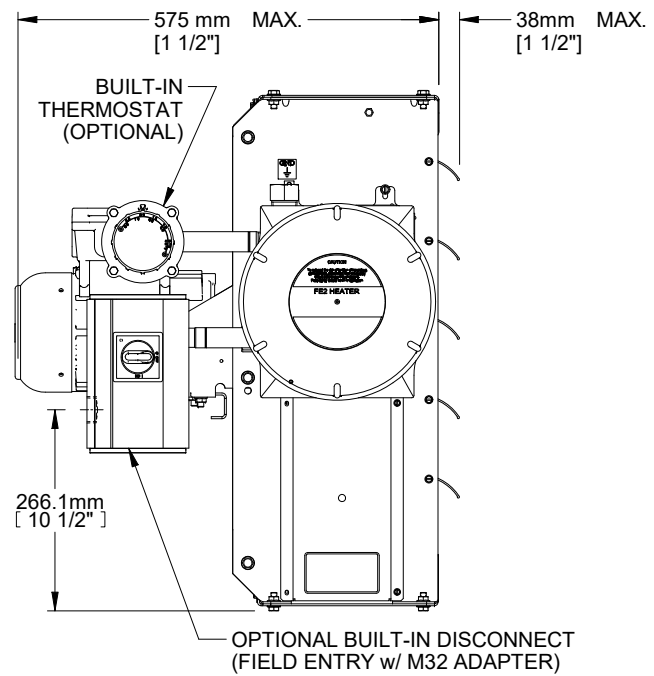
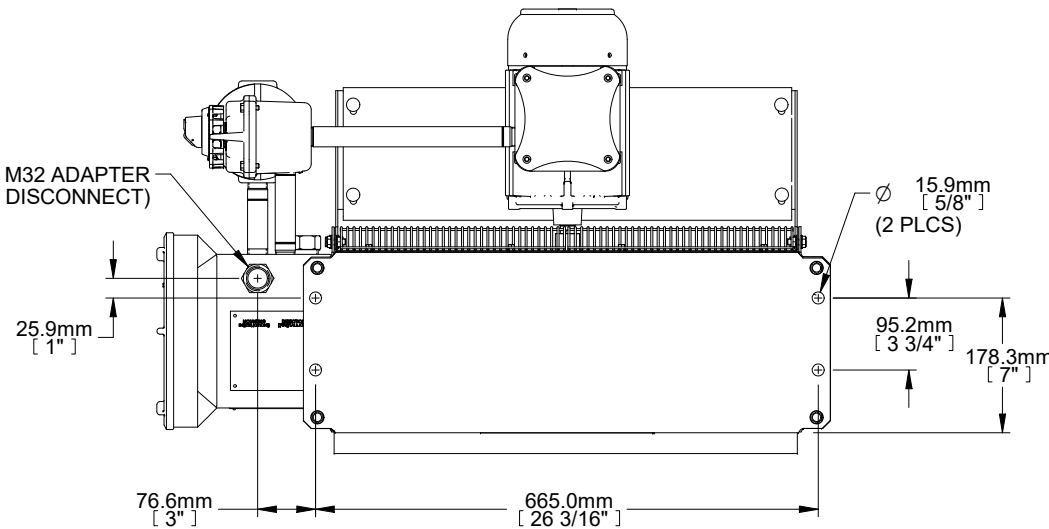
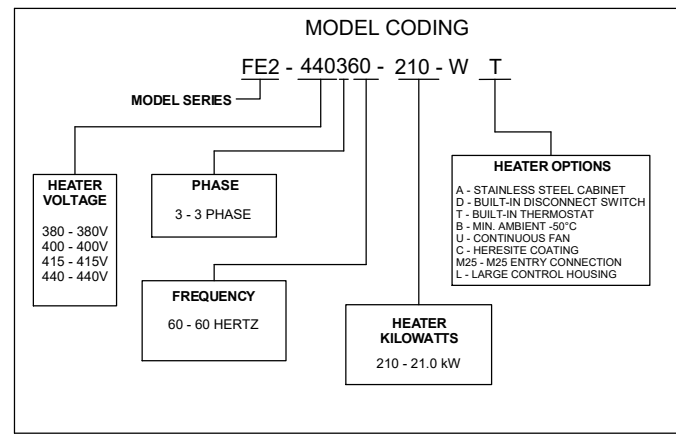
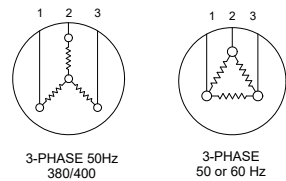


TABLE 1 - TECHNICAL DATA (60HZ)

MODEL	OUTPUT (kW)	VOLTAGE (VOLTS)	FREQ. (Hz)	PHASE	CURRENT (AMPS)	AIR FLOW (M ³ /HR) @21°C
FE2-440360-210	21.0	440	60	3	27.5	5613
FE2-440360-252	25.2				33.1	
FE2-440360-294	29.4				38.6	
FE2-480360-250	25.0	480	60	3	30.1	5868
FE2480360-300	30.0				36.1	
FE2-480360-350	35.0				42.1	

NOTES:

- NET WEIGHT: 107 KG
- SHIPPING WEIGHT: 130 KG
- OPERATING AMBIENT TEMP: -20° TO +40°C
-50° TO +40°C FOR SUFFIX "-B" UNITS
- HAZARDOUS LOCATION CLASSIFICATION: Ex II 2 G Ex d IIB T3 Gb
- TEMPERATURE CLASS: T3 200°C
- MATERIALS: CABINET: 12 GA. STEEL EPOXY POWDER COATED RUFFNECK GREEN (Standard build) or 12 GA. 304 STAINLESS STEEL (Model code "A")
CORE: STEEL WITH INTEGRAL ALUMINUM FINNS
- CERTIFIED TO:
EN 60079-0:2012+A11:2013
EN 60079-1:2007

REV.	REVISION DESCRIPTION	DATE	BY
2	UPDATE TO OPTIONAL FEATURES	16 APR 2018	NJS
1	UPDATED PANELS AND MATERIAL	18 JUN 2015	GM

TITLE: FE2 RUFFNECK HEATER DATA SHEET
21 - 35 kW @ 60 Hz

TOLERANCE UNLESS NOTED OTHERWISE			
± 1/2° ANGULAR	± N/A DECIMAL	± 1/8" FRACTIONAL	± 3 mm METRIC
DWG NO.: 51924-D SHEET: 2 of 2		DRN BY: nsanchez 15 Jan 2016	
PART NO.: N/A		CHK'D BY:	
SCALE: NONE		APP'D. BY:	