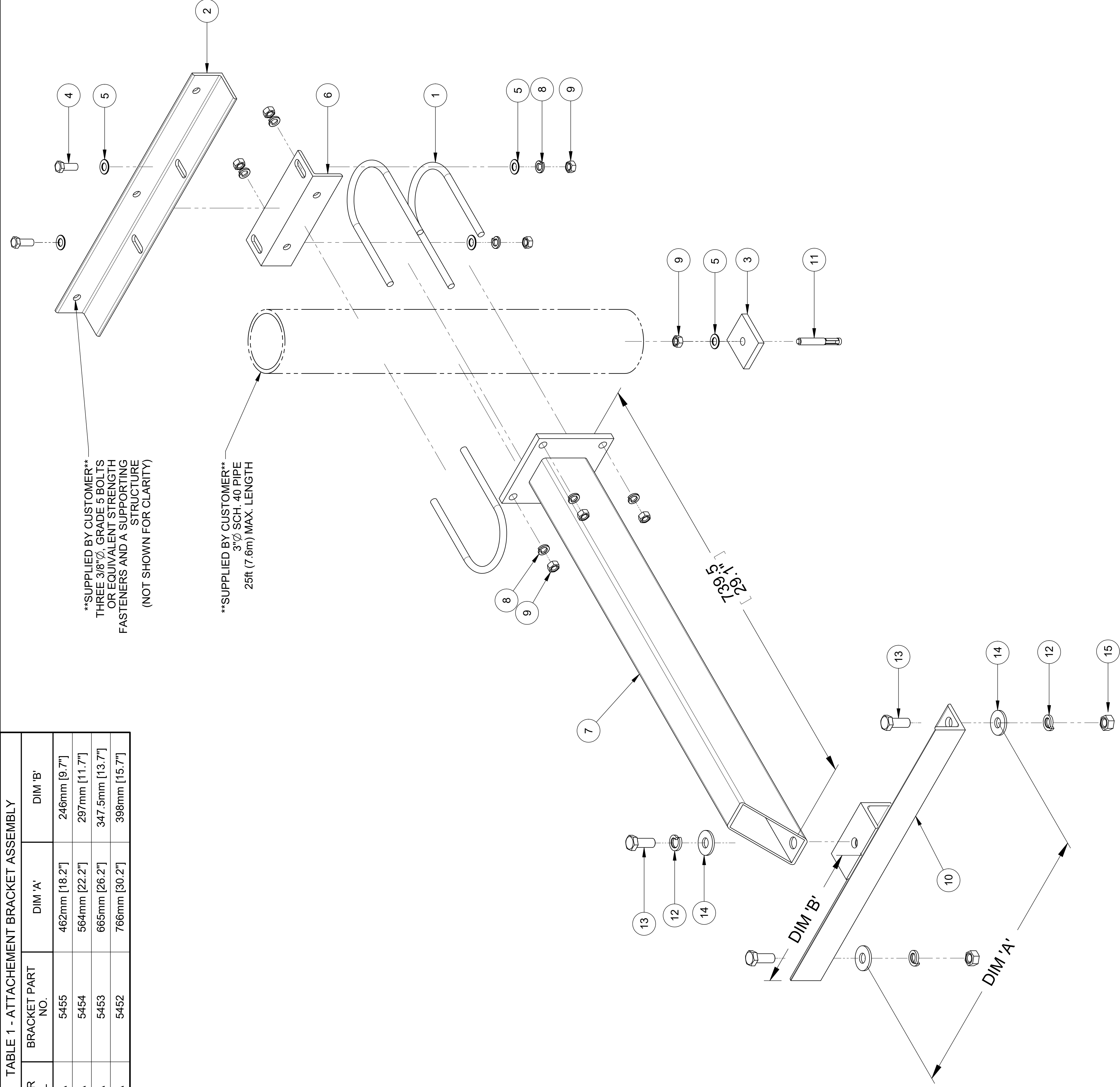
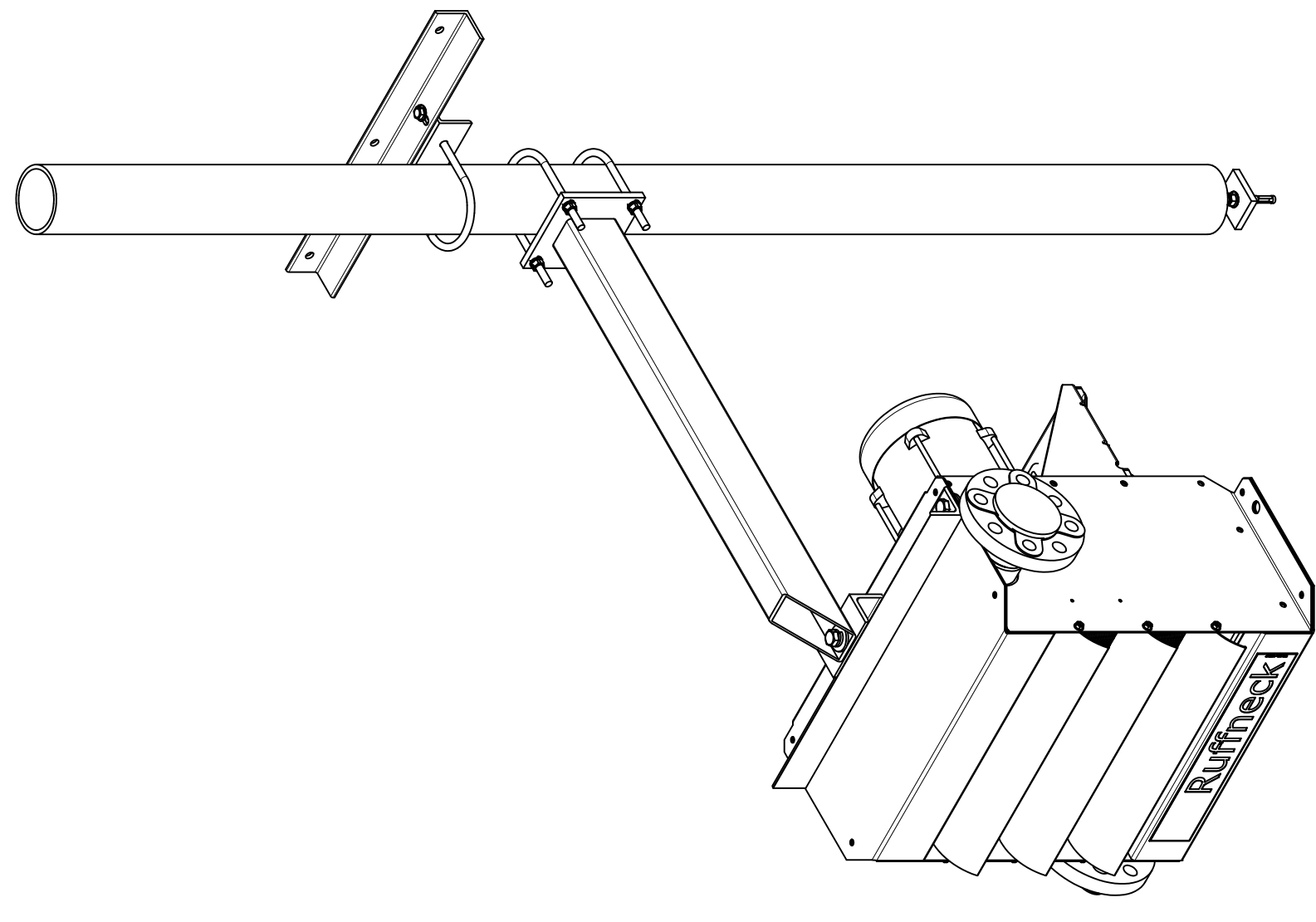


TABLE 1 - ATTACHEMENT BRACKET ASSEMBLY

HEATER MODEL	BRACKET PART NO.	DIM 'A'	DIM 'B'
AH12A	5455	462mm [18.2"]	246mm [9.7"]
AH16A	5454	564mm [22.2"]	297mm [11.7"]
AH20A	5453	665mm [26.2"]	347.5mm [13.7"]
AH24A	5452	766mm [30.2"]	398mm [15.7"]



BILL OF MATERIALS			
ITEM	QTY	THERMON PART NO	DESCRIPTION
1	3	3384	U-BOLT, 1/2-13 UNC x 3" PIPE
2	1	2800	PMK, COLUMN STABILIZER
3	1	3383	PLATE, BMK BASE
4	2	3153	Bolt-3/8-16UNC x 1Lg-H-SZP
5	5	3091	WASHER, 3/8" SAE, PLTD
6	1	3199	ANGLE, PMK STABILIZER
7	1	9706	ARM, MOUNTING, 750mm
8	8	3159	Lockwasher-3/8-Split-SZP
9	9	2785	Nut-3/8-16UNC-H-SZP
10	1	SEE TABLE 1	Bracket, Mounting Attachment, AH12A
11	1	2944	EXPANSION BOLT, 3/8" X 2 3/4 LG.
12	3	4373	Lockwasher-1/2-Split-SZP
13	3	2940	BOLT 1/2-13UNC x 1 1/4LONG, HEXAGON HEAD
14	3	2941	WASHER, FLAT 1/2"
15	2	4372	NUT-1/2-13 UNC-H-SZP



REV.	REVISION DESCRIPTION	DATE	BY
	TITLE: MTG Kit, Ruffneck PMK AH		
DWG NO. : 5717-D	SHEET: 1 OF 1	TOLERANCE UNLESS NOTED OTHERWISE	
SYTLINE NO. : 5717		± 1/2"	± 0.005"
SCALE: NTS		ANGULAR	DECIMAL
DRN BY: MCARGILL	20 Dec 2007	FRACTIONAL	METRIC
CHKD BY:			
APP'D. BY:			

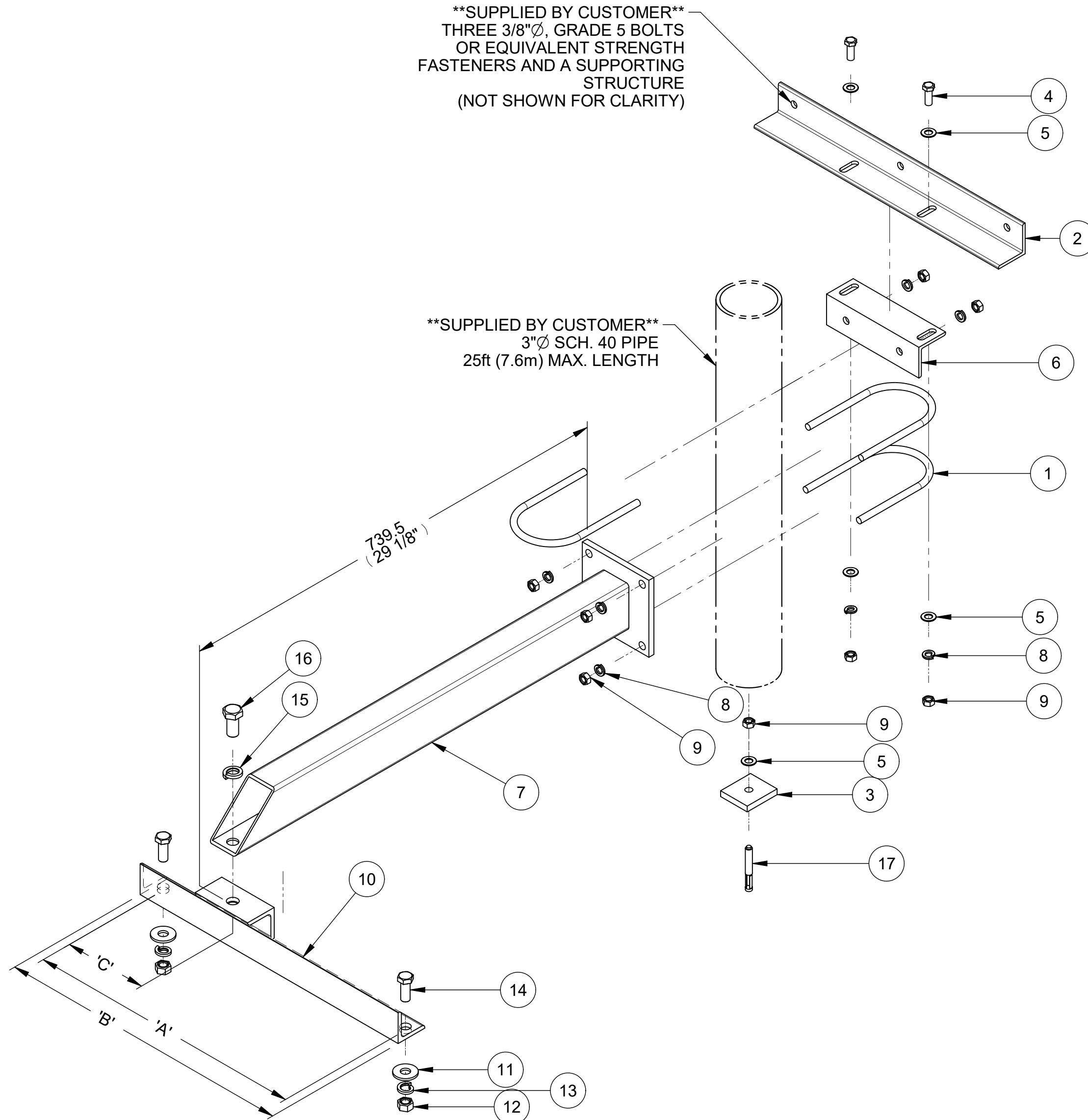


9729	9677	665.0	695.0	316.0
9728	9676	564.0	594.0	209.6
9727	9675	462.0	492.0	152.0
MOUNTING KIT PART NO.	HEATER BRACKET PART NO.	DIM 'A'	DIM 'B'	DIM 'C'

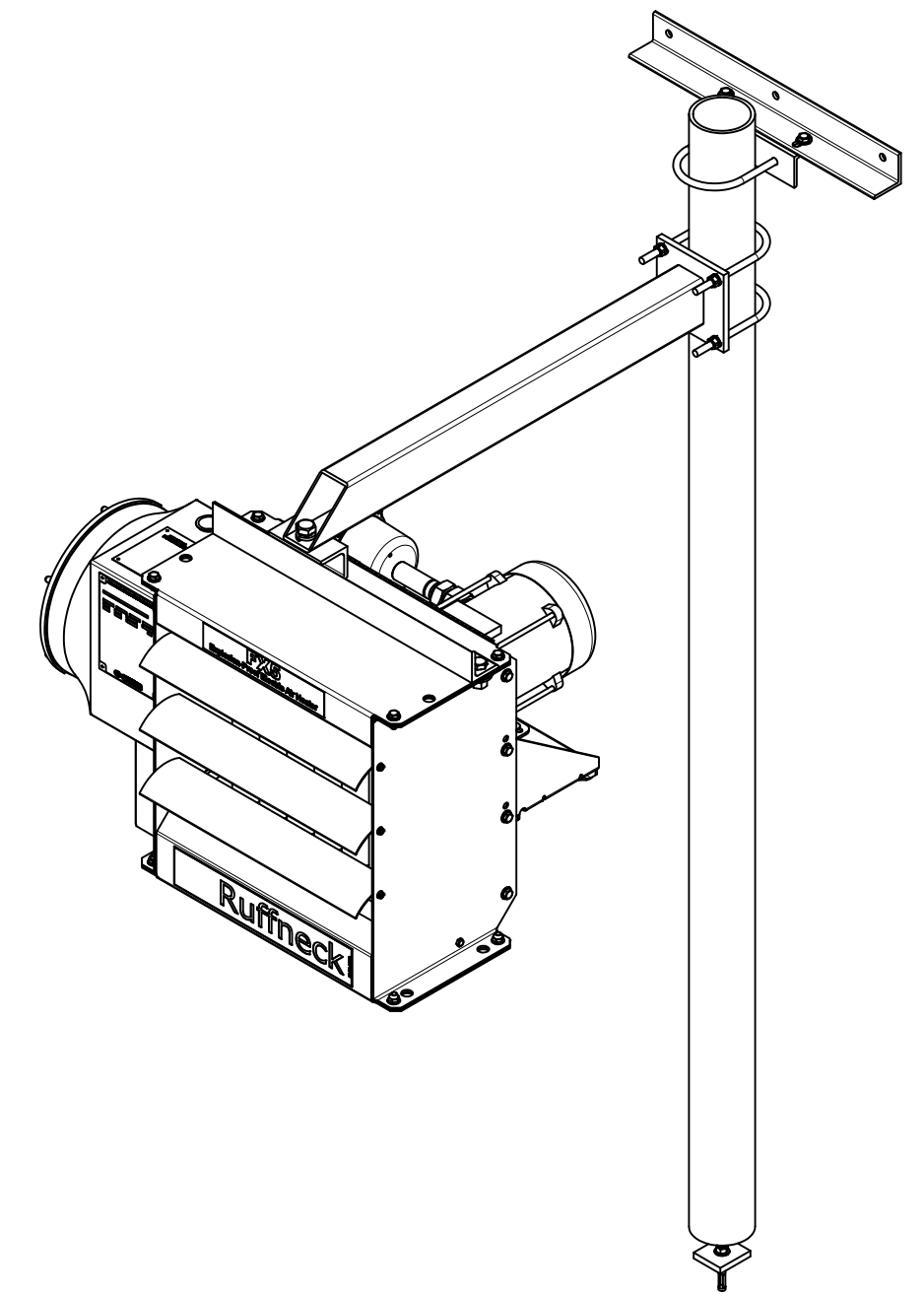
TABLE 1. - MOUNTING BRACKET DIMENSIONS

****SUPPLIED BY CUSTOMER****
THREE 3/8"Ø, GRADE 5 BOLTS
OR EQUIVALENT STRENGTH
FASTENERS AND A SUPPORTING
STRUCTURE
(NOT SHOWN FOR CLARITY)

****SUPPLIED BY CUSTOMER****
3"Ø SCH. 40 PIPE
25ft (7.6m) MAX. LENGTH



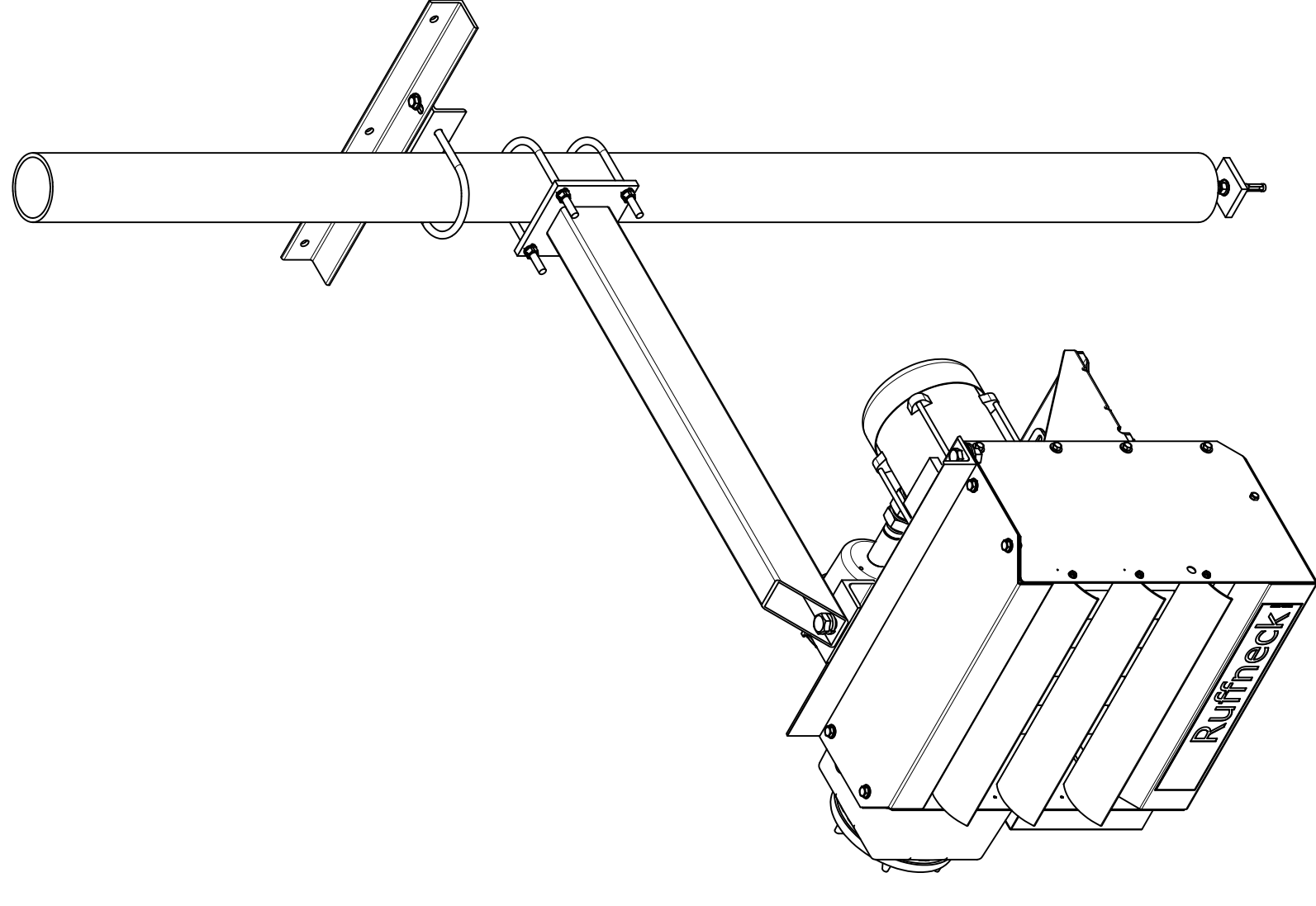
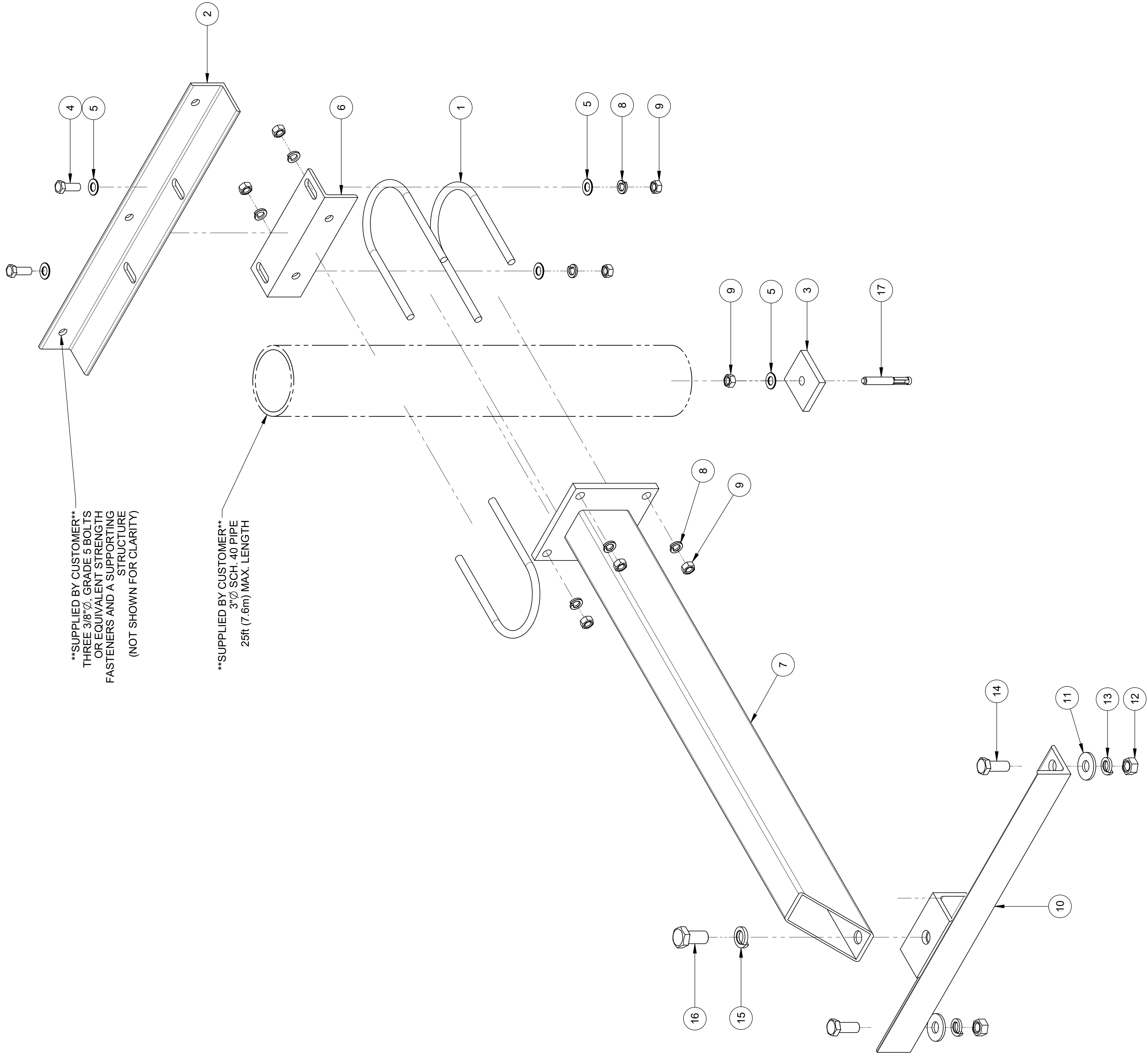
ITEM	QTY	THERMON PART NO	DESCRIPTION
1	3	3384	U-BOLT, 1/2-13 UNC x 3" PIPE
2	1	2800	PMK, COLUMN STABILIZER
3	1	3383	PLATE, BMK BASE
4	2	3153	Bolt-3/8-16UNC x 1Lg-H-SZP
5	5	3091	WASHER, 3/8" SAE, PLTD
6	1	3199	ANGLE, PMK STABILIZER
7	1	9706	ARM, MOUNTING, 750mm
8	8	3159	Lockwasher-3/8-Split-SZP
9	9	2785	Nut-3/8-16UNC-H-SZP
10	1	SEE TABLE	BRACKET, MTG ATTACH ASSY
11	2	2941	WASHER, FLAT 1/2"
12	2	4372	NUT-1/2-13 UNC-H-SZP
13	2	4373	Lockwasher-1/2-Split-SZP
14	2	2940	BOLT 1/2-13UNC x 1 1/4LONG, HEXAGON HEAD
15	1	3093	Lockwasher-5/8-Split-SZP
16	1	3122	Bolt-5/8-11UNC x 1 1/4Lg-H-SZP
17	1	2944	EXPANSION BOLT, 3/8" X 2 3/4 LG.



1	ADAPTER (#9771) AND HARDWARE REMOVED.	06 APR 2016	NJS
REV.	REVISION DESCRIPTION	DATE	BY
TITLE: PIPE MTG KIT, RUFFNECK FX5/FX6/FE2 HEATER			
DWG NO.: 9727	SHEET: 1 OF 1	TOLERANCE UNLESS NOTED OTHERWISE	
SYTILINE NO.:SEE TABLE		± 1/2° ANGULAR	± 0.005" DECIMAL
SCALE: AS SHOWN		± 1/16" FRACTIONAL	± 1 mm METRIC
DRN BY: MCARGILL	06 Dec 2007		
CHK'D BY:			
APP'D. BY:			

ITEM	QTY	THERMON PART NO	DESCRIPTION
1	3	3384	U-BOLT, 1/2-13 UNC x 3" PIPE
2	1	2800	PMK COLUMN STABILIZER
3	1	3383	PLATE, BMK BASE
4	2	3153	Bolt-3/8-16UNC x 1Lg-H-SZP
5	5	3091	WASHER, 3/8" SAE, PLTD
6	1	3199	ANGLE, PMK STABILIZER
7	1	9706	ARM, MOUNTING, 750mm
8	8	3159	Lockwasher-3/8-Split-SZP
9	9	2785	Nut-3/8-16UNC-H-SZP
10	1	4375	Bracket, Mounting Attachment FX412/FE112
11	2	2941	WASHER, FLAT 1/2"
12	2	4372	NUT-1/2-13 UNC-H-SZP
13	2	4373	Lockwasher-1/2-Split-SZP
14	2	2940	BOLT 1/2-13UNC x 1 1/4LONG, HEXAGON HEAD
15	1	3093	Lockwasher-5/8-Split-SZP
16	1	3122	Bolt-5/8-11UNC x 1 1/4Lg-H-SZP
17	1	2944	EXPANSION BOLT, 3/8" X 2 3/4 LG.

***MOUNTING BRACKETS
4375 - FX412/FE112
4376 - FX416/FE116
4377 - FX420/FE120

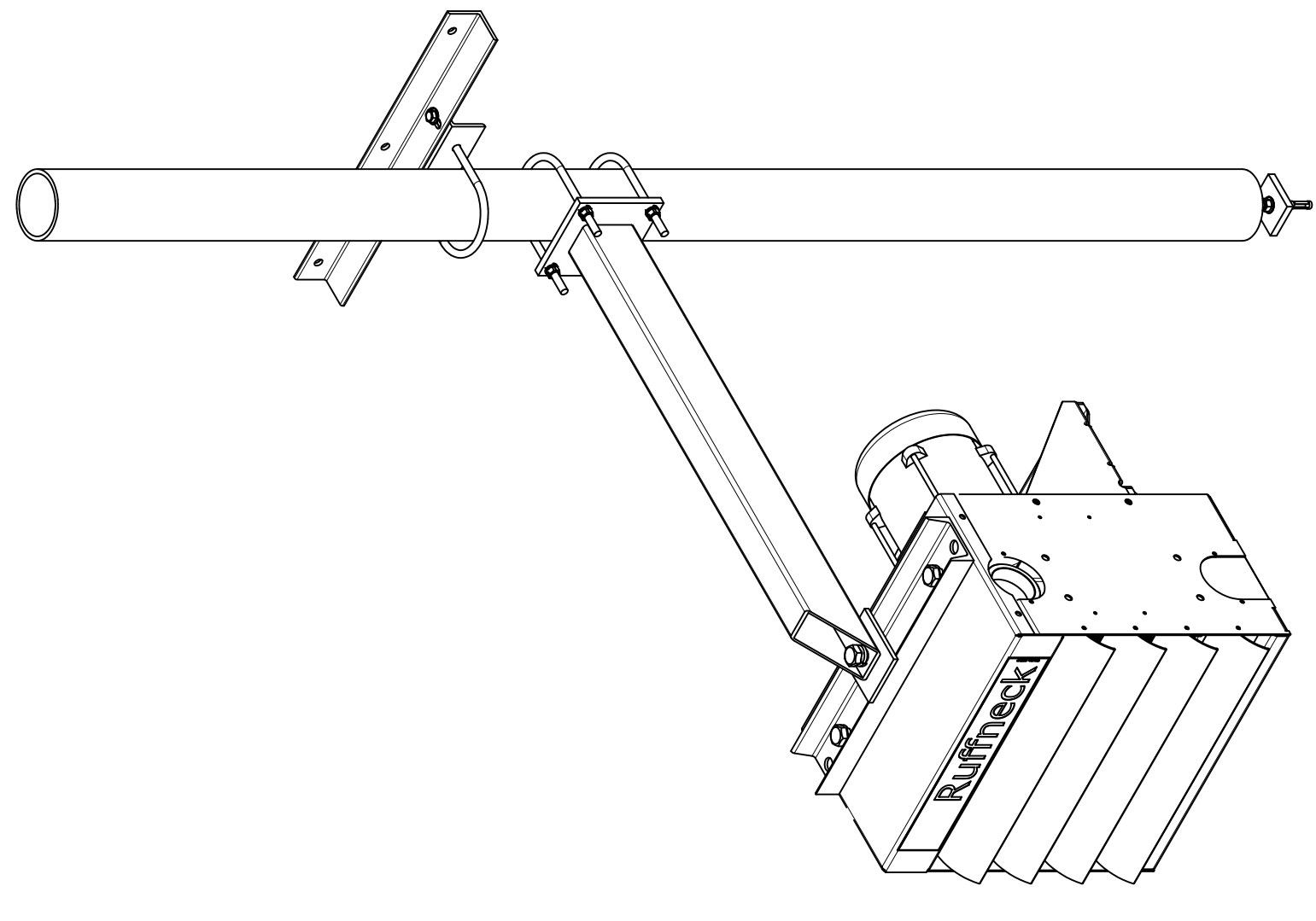
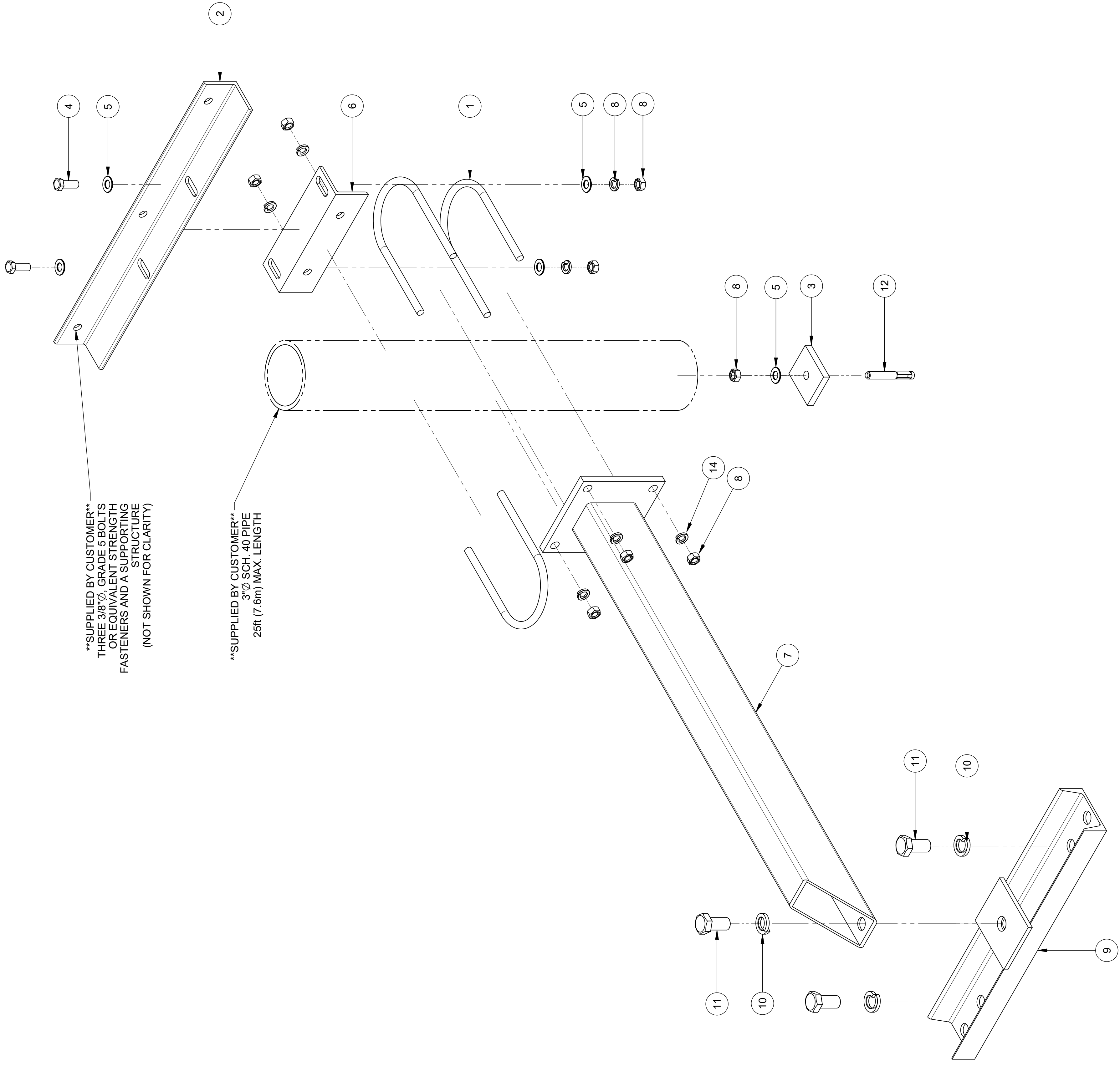



REV.	REVISION DESCRIPTION	DATE	BY
	TITLE: MTG Kit, Ruffneck PMK FX4/FE1		
DWG NO. : 4399	SHEET: 1 OF 1	TOLERANCE UNLESS NOTED OTHERWISE	
SYTLINE NO.: 4399		± 1/2"	± 0.005"
SCALE: NTS		ANGULAR	DECIMAL
DRN BY: MCARGILL	18 Dec 2007	FRACTIONAL	METRIC
CHKD BY:			
APP'D. BY:			



ITEM	QTY	THERMON PART NO	DESCRIPTION
1	3	3384	U-BOLT, 1/2-13 UNC x 3" PIPE
2	1	2800	PMK COLUMN STABILIZER
3	1	3383	PLATE, BMK BASE
4	2	3153	Bolt-3/8-16UNC x 1Lg-H-SZP
5	5	3091	WASHER, 3/8" SAE, PLTD
6	1	3199	ANGLE, PMK STABILIZER
7	1	9706	ARM, MOUNTING, 750mm
8	9	2785	Nut-3/8-16UNC-H-SZP
9	1	2600	ATTACHMENT ASSY, HP12/16 MTG.
10	3	3093	Lockwasher-5/8-Split-SZP
11	3	3122	Bolt-5/8-11UNC x 1 1/4Lg-H-SZP
12	1	2944	EXPANSION BOLT, 3/8" X 2 3/4 LG.
13	8	3159	Lockwasher-3/8-Split-SZP

***MOUNTING BRACKETS**
 2600 - FR12, FR16, HP12, HP16
 2602 - FR20, FR24, HP20, HP24



REV.	REVISION DESCRIPTION	DATE	BY
	TITLE: MTG Kit, Ruffneck PMK FR/HP		
DWG NO. : 3131	SHEET: 1 OF 1	TOLERANCE UNLESS NOTED OTHERWISE	
SYTELINE NO.: 3131		± 1/2"	± 0.005"
SCALE: NTS		ANGULAR	DECIMAL
DRN BY: MCARGILL	18 Dec 2007	FRACTIONAL	METRIC
CHKD BY:			
APP'D. BY:			