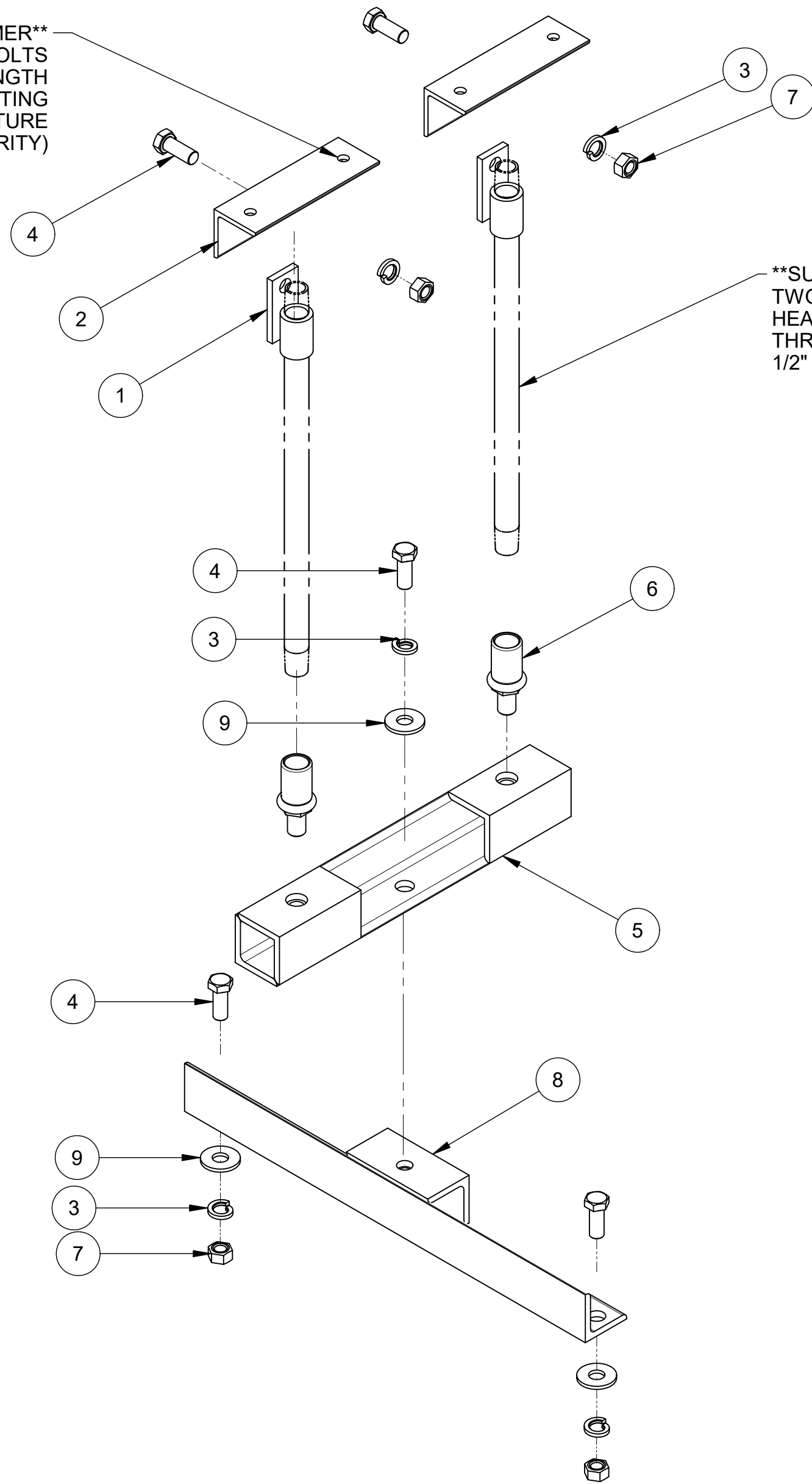


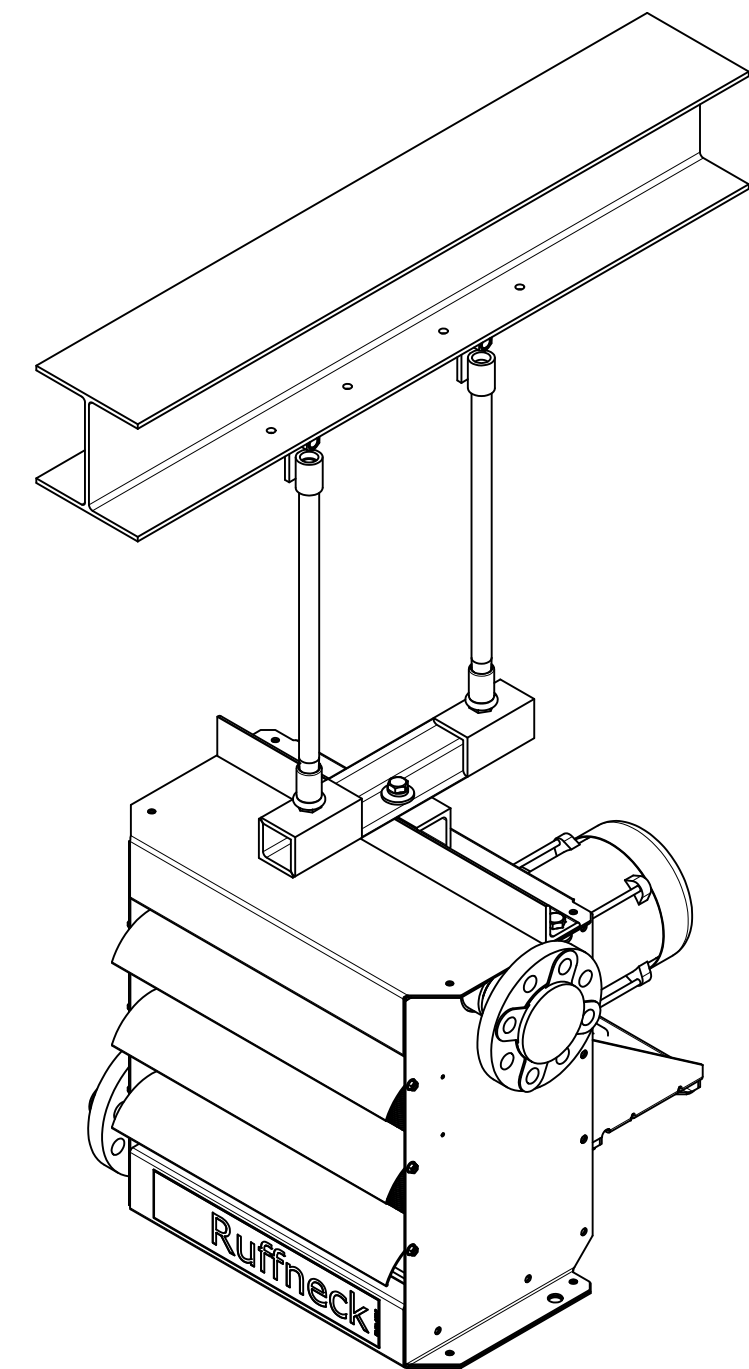
**\*\*SUPPLIED BY CUSTOMER\*\***  
 FOUR 3/8"Ø, GRADE 5 BOLTS  
 OR EQUIVALENT STRENGTH  
 FASTENERS AND A SUPPORTING  
 STRUCTURE  
 (NOT SHOWN FOR CLARITY)



**\*\*SUPPLIED BY CUSTOMER\*\***  
 TWO 1/2"Ø, SCH. 40 OR  
 HEAVIER STEEL PIPE  
 THREADED BOTH ENDS  
 1/2" NPT.

ITEM	QTY	THERMON PART NO	DESCRIPTION
1	2	3085	CONNECTOR, HANGER
2	2	3084	ANGLE, HANGER
3	5	4373	Lockwasher-1/2-Split-SZP
4	5	2940	BOLT 1/2-13UNC x 1 1/4LONG, HEXAGON HEAD
5	1	4994	BRACKET, SHMK ATTACH ASSY
6	2	3088	ADAPTER, HANGER
7	4	4372	NUT-1/2-13 UNC-H-SZP
8	1	5455	Bracket, Mounting Attachment, AH12A
9	3	2941	WASHER, FLAT 1/2"

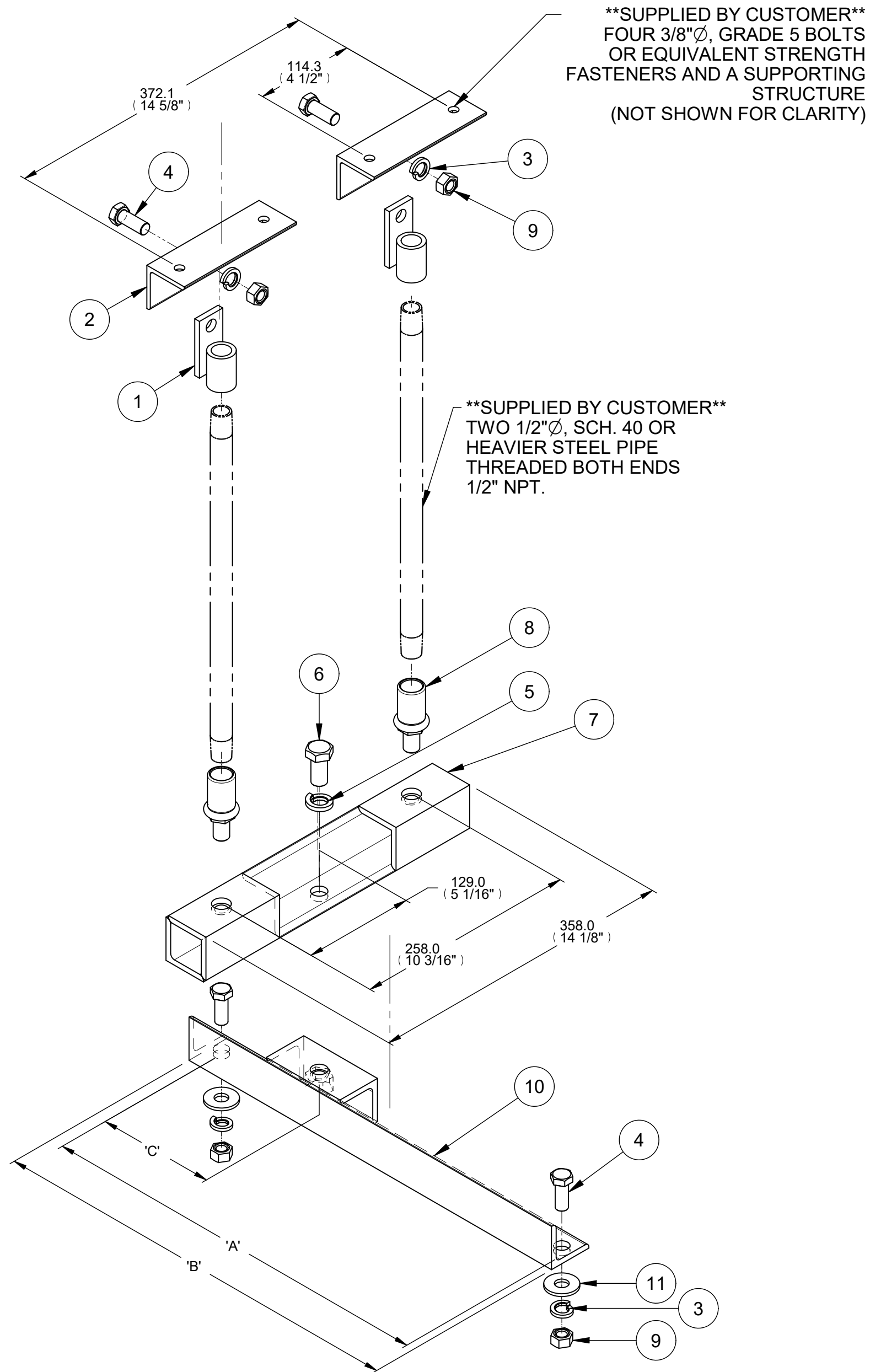
**\*\*\*MOUNTING BRACKETS**  
 5455 - AH12A  
 5454 - AH16A  
 5453 - AH20A  
 5452 - AH24A



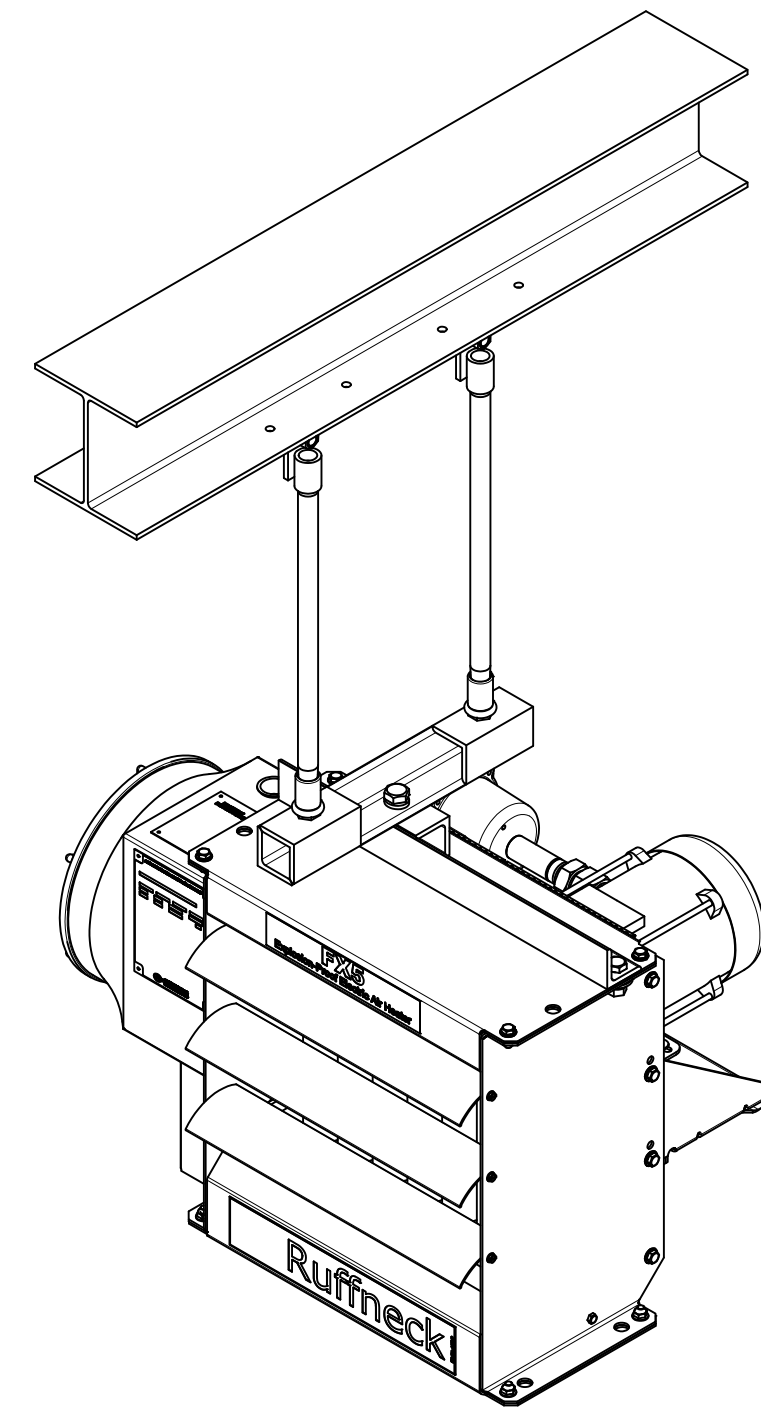
REV.	REVISION DESCRIPTION	DATE	BY												
TITLE: MTG Kit, Ruffneck SHMK AH															
DWG NO.: 5732		SHEET: 1 OF 1													
SYTELINE NO.: 5732															
SCALE: NTS															
DRN BY: MCARGILL		20 Dec 2007													
CHK'D BY:															
APP'D. BY:															
<table border="1"> <thead> <tr> <th colspan="4">TOLERANCE UNLESS NOTED OTHERWISE</th> </tr> <tr> <th>± 1/2°</th> <th>± 0.005"</th> <th>± 1/16"</th> <th>± 1 mm</th> </tr> <tr> <th>ANGULAR</th> <th>DECIMAL</th> <th>FRACTIONAL</th> <th>METRIC</th> </tr> </thead> </table>				TOLERANCE UNLESS NOTED OTHERWISE				± 1/2°	± 0.005"	± 1/16"	± 1 mm	ANGULAR	DECIMAL	FRACTIONAL	METRIC
TOLERANCE UNLESS NOTED OTHERWISE															
± 1/2°	± 0.005"	± 1/16"	± 1 mm												
ANGULAR	DECIMAL	FRACTIONAL	METRIC												

9735	9677	665.0	695.0	316.0
9734	9676	564.0	594.0	209.6
9733	9675	462.0	492.0	152.0
MOUNTING KIT PART NO.	HEATER BRACKET PART NO.	DIM 'A'	DIM 'B'	DIM 'C'

TABLE 1. - MOUNTING BRACKET DIMENSIONS



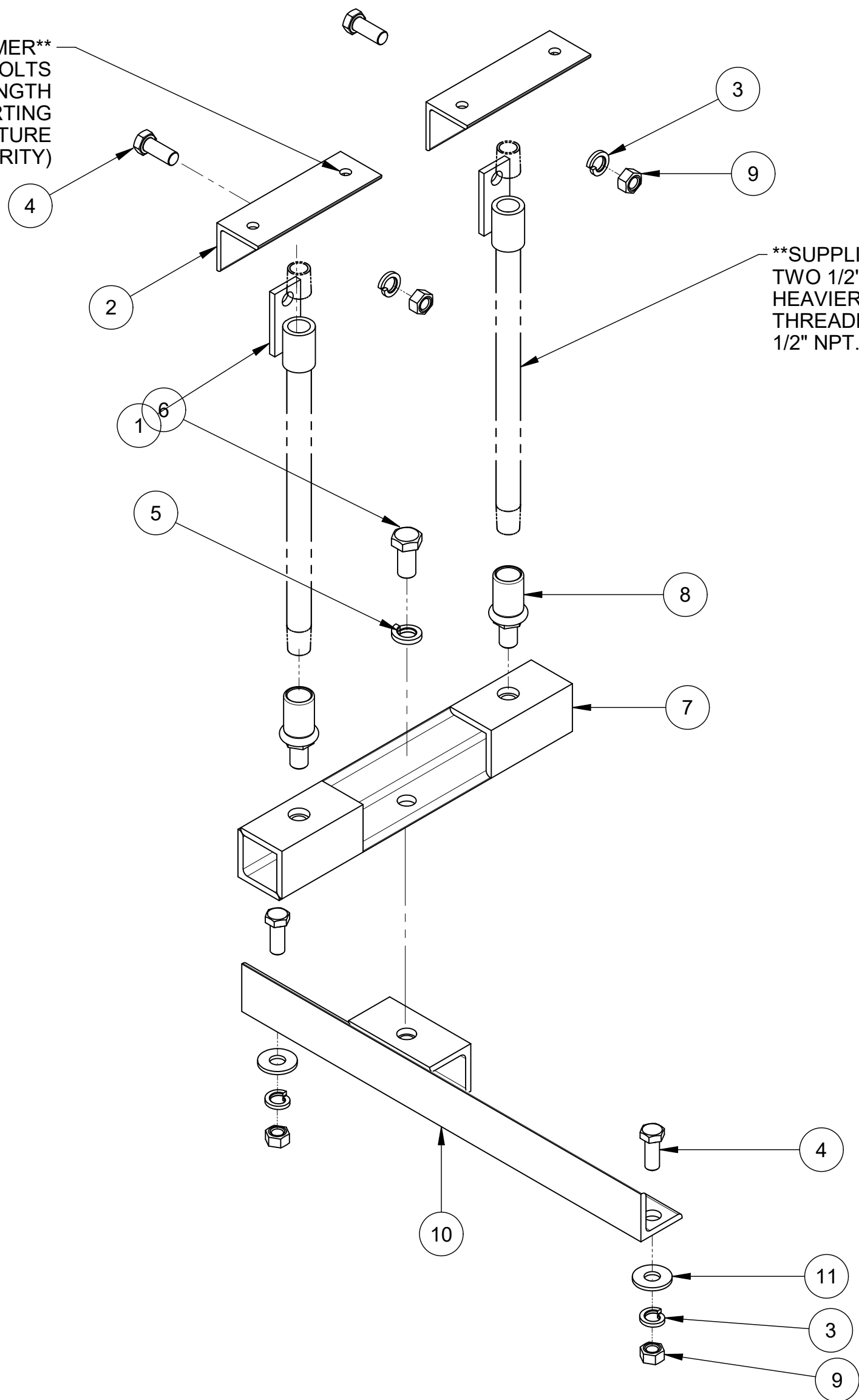
ITEM	QTY	THERMON PART NO	DESCRIPTION
1	2	3085	CONNECTOR, HANGER
2	2	3084	ANGLE, HANGER
3	4	4373	Lockwasher-1/2-Split-SZP
4	4	2940	BOLT 1/2-13UNC x 1 1/4LONG, HEXAGON HEAD
5	1	3093	Lockwasher-5/8-Split-SZP
6	1	3122	Bolt-5/8-11UNC x 1 1/4Lg-H-SZP
7	1	4994	BRACKET, SHMK ATTACH ASSY
8	2	3088	ADAPTER, HANGER
9	4	4372	NUT-1/2-13 UNC-H-SZP
10	1	9675	FX5 BRACKET, 512 MTG ATTACH ASSY
11	2	2941	WASHER, FLAT 1/2"



REV.	REVISION DESCRIPTION	DATE	BY
TITLE SWIVEL HANGING MTG KIT, RUFFNECK FX5/FX6/FE2			
DWG NO.: 9733		SHEET: 1 OF 1	
TOLERANCE UNLESS NOTED OTHERWISE			
± 1/2°	± 0.005"	± 1/16"	± 1 mm
ANGULAR	DECIMAL	FRACTIONAL	METRIC
SCALE: NTS			
DRN BY: MCARGILL		07 Dec 2007	
CHK'D BY:			
APP'D. BY:			



**\*\*SUPPLIED BY CUSTOMER\*\***  
 FOUR 3/8"Ø, GRADE 5 BOLTS  
 OR EQUIVALENT STRENGTH  
 FASTENERS AND A SUPPORTING  
 STRUCTURE  
 (NOT SHOWN FOR CLARITY)

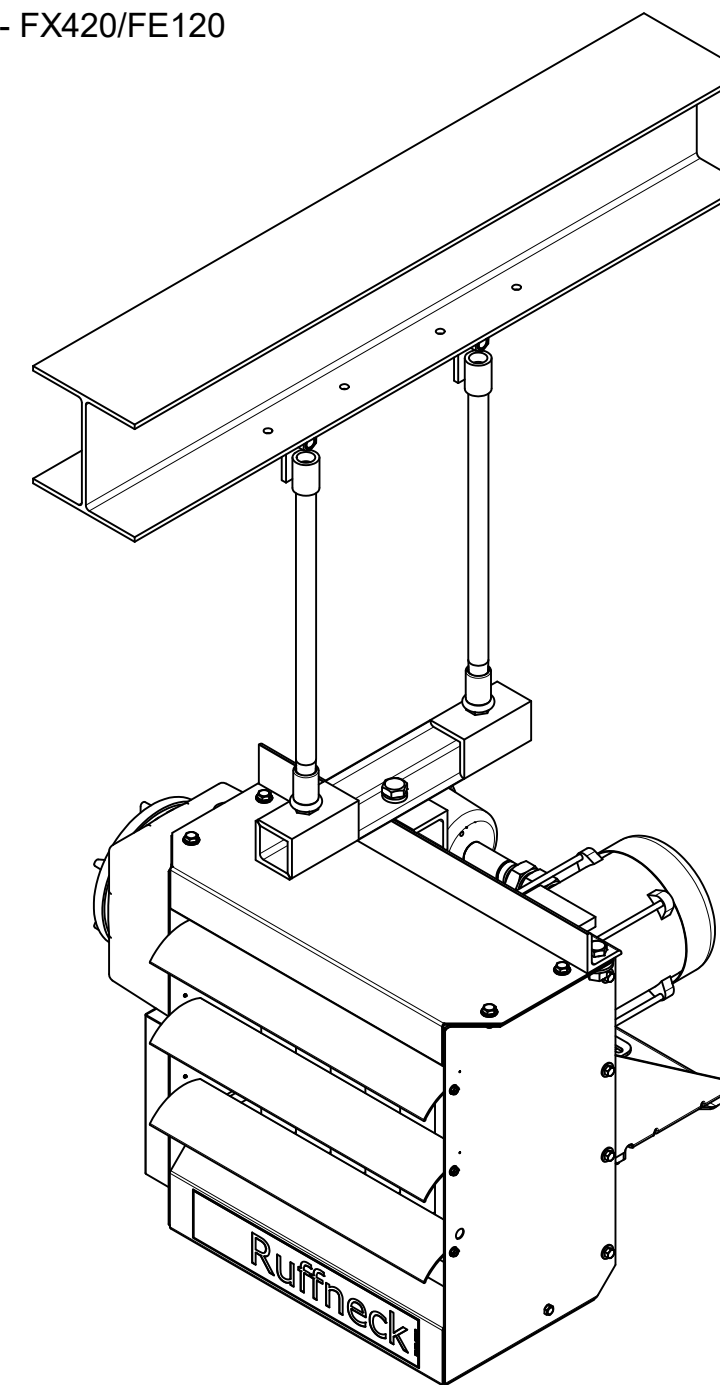


**\*\*SUPPLIED BY CUSTOMER\*\***  
 TWO 1/2"Ø, SCH. 40 OR  
 HEAVIER STEEL PIPE  
 THREADED BOTH ENDS  
 1/2" NPT.

ITEM	QTY	THERMON PART NO	DESCRIPTION
1	2	3085	CONNECTOR, HANGER
2	2	3084	ANGLE, HANGER
3	4	4373	Lockwasher-1/2-Split-SZP
4	4	2940	BOLT 1/2-13UNC x 1 1/4LONG, HEXAGON HEAD
5	1	3093	Lockwasher-5/8-Split-SZP
6	1	3122	Bolt-5/8-11UNC x 1 1/4Lg-H-SZP
7	1	4994	BRACKET, SHMK ATTACH ASSY
8	2	3088	ADAPTER, HANGER
9	4	4372	NUT-1/2-13 UNC-H-SZP
10	1	4375	Bracket, Mounting Attachment FX412/FE112
11	2	2941	WASHER, FLAT 1/2"

\*\*\*

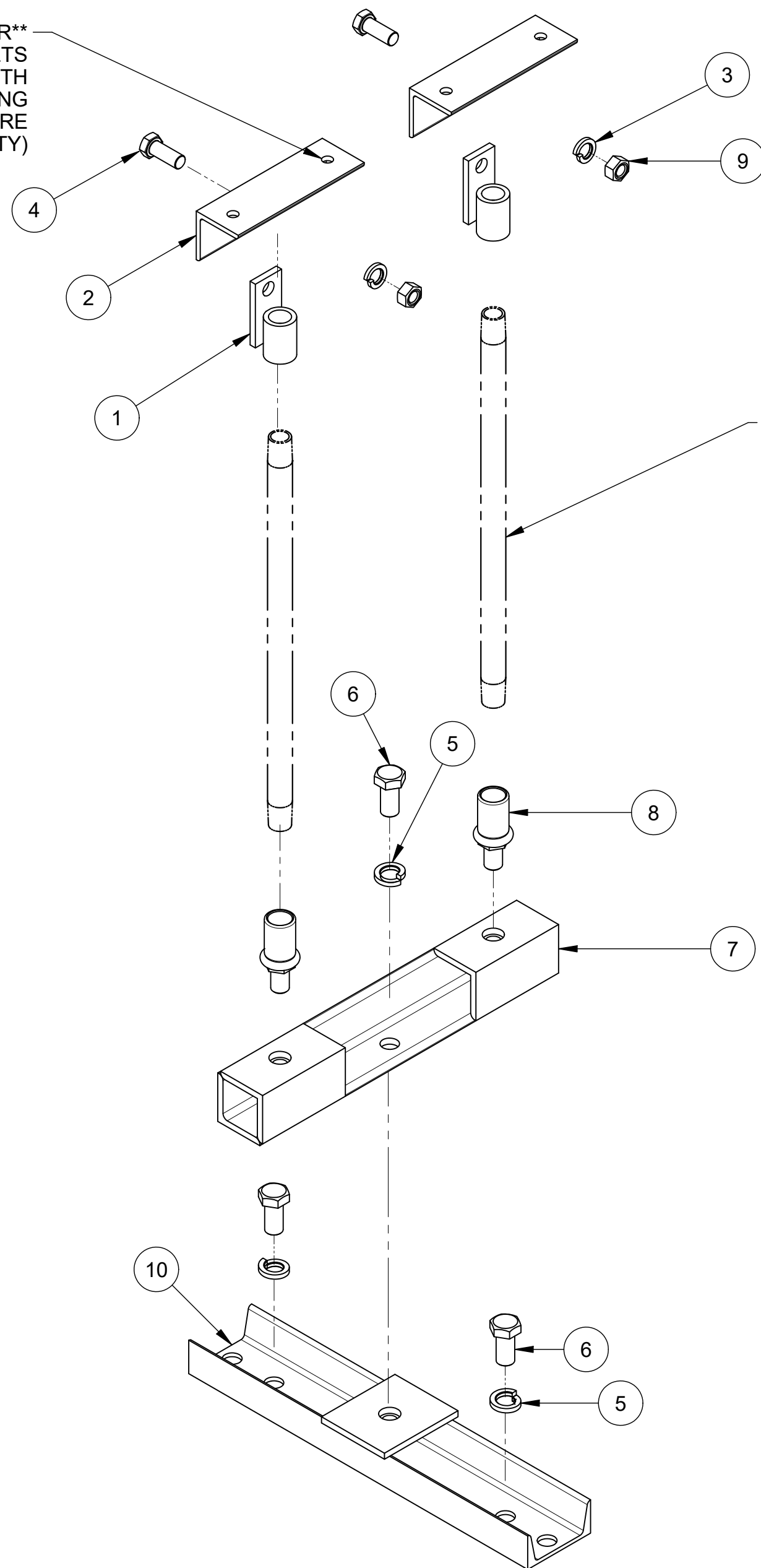
\*\*\*MOUNTING BRACKETS  
 4375 - FX412/FE112  
 4376 - FX416/FE116  
 4377 - FX420/FE120



REV.	REVISION DESCRIPTION	DATE	BY
TITLE: MTG Kit, Ruffneck SHMK FX4/FE1			
DWG NO.: 5000		SHEET: 1 OF 1	
TOLERANCE UNLESS NOTED OTHERWISE			
SYTELINE NO.: 5000		± 1/2° ANGULAR	± 0.005" DECIMAL
		± 1/16" FRACTIONAL	± 1 mm METRIC
SCALE: NTS			
DRN BY: MCARGILL		18 Dec 2007	
CHK'D BY:			
APP'D. BY:			



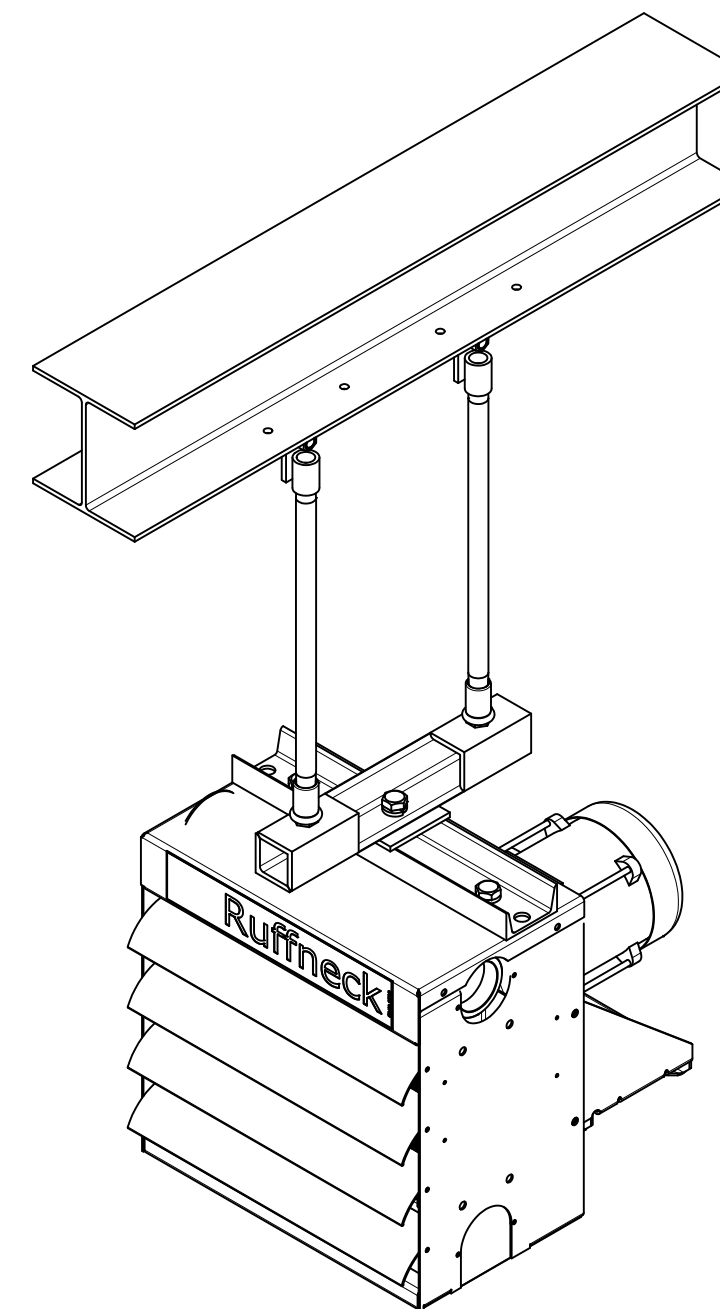
**\*\*SUPPLIED BY CUSTOMER\*\***  
 FOUR 3/8"Ø, GRADE 5 BOLTS  
 OR EQUIVALENT STRENGTH  
 FASTENERS AND A SUPPORTING  
 STRUCTURE  
 (NOT SHOWN FOR CLARITY)



**\*\*SUPPLIED BY CUSTOMER\*\***  
 TWO 1/2"Ø, SCH. 40 OR  
 HEAVIER STEEL PIPE  
 THREADED BOTH ENDS  
 1/2" NPT.

ITEM	QTY	THERMON PART NO	DESCRIPTION	
1	2	3085	CONNECTOR, HANGER	
2	2	3084	ANGLE, HANGER	
3	2	4373	Lockwasher-1/2-Split-SZP	
4	2	2940	BOLT 1/2-13UNC x 1 1/4LONG, HEXAGON HEAD	
5	3	3093	Lockwasher-5/8-Split-SZP	
6	3	3122	Bolt-5/8-11UNC x 1 1/4Lg-H-SZP	
7	1	4994	BRACKET, SHMK ATTACH ASSY	
8	2	3088	ADAPTER, HANGER	
9	2	4372	NUT-1/2-13 UNC-H-SZP	
***	10	1	2600	ATTACHMENT ASSY, HP12/16 MTG.

**\*\*\*MOUNTING BRACKETS**  
 2600 - FR12, FR16, HP12, HP16  
 2602 - FR20, FR24, HP20, HP24



REV.	REVISION DESCRIPTION	DATE	BY
TITLE: MTG Kit, Ruffneck SHMK FR/HP			
DWG NO.: 5003		SHEET: 1 OF 1	
TOLERANCE UNLESS NOTED OTHERWISE			
SYTELINE NO.:5003		± 1/2° ANGULAR	± 0.005" DECIMAL
		± 1/16" FRACTIONAL	± 1 mm METRIC
SCALE: NTS			
DRN BY: MCARGILL		18 Dec 2007	
CHK'D BY:			
APP'D. BY:			

