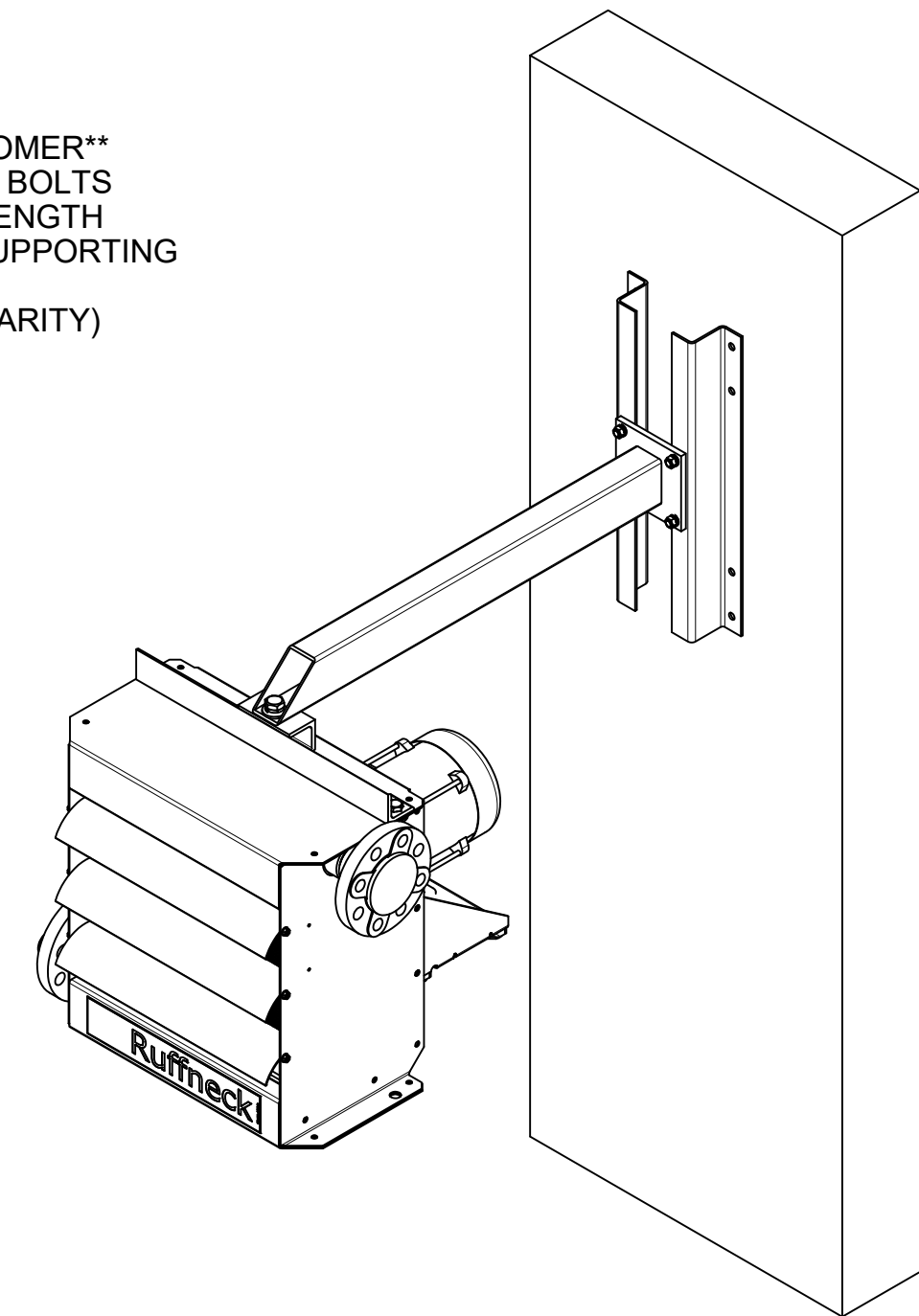
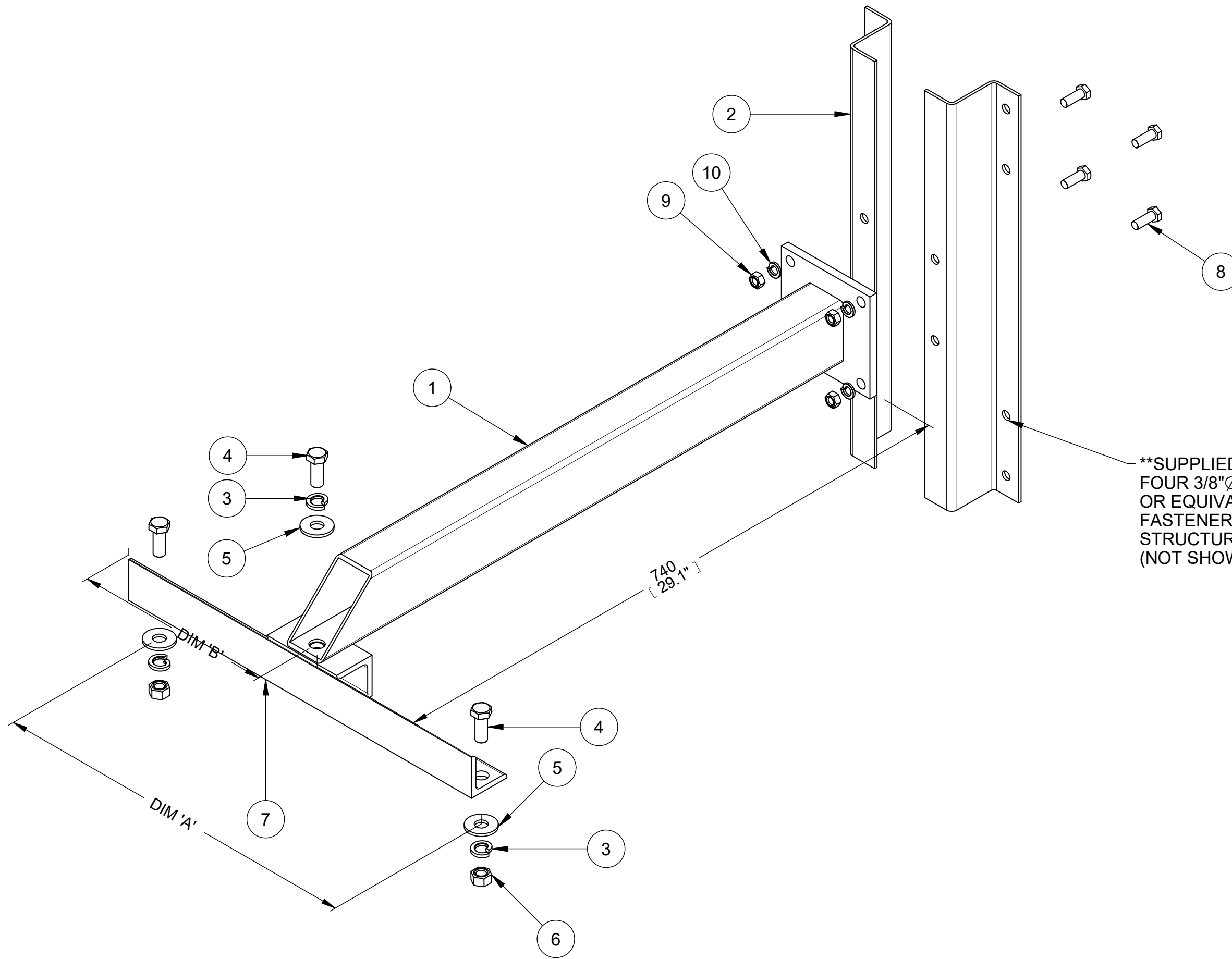


TABLE 1 - ATTACHEMENT BRACKET ASSEMBLY

HEATER MODEL	BRACKET PART NO.	DIM 'A'	DIM 'B'
AH12A	5455	462mm [18.2"]	246mm [9.7"]
AH16A	5454	564mm [22.2"]	297mm [11.7"]
AH20A	5453	665mm [26.2"]	347.5mm [13.7"]
AH24A	5452	766mm [30.2"]	398mm [15.7"]

BILL OF MATERIALS

ITEM	QTY	THERMON PART NO	DESCRIPTION
1	1	9706	ARM, MOUNTING, 750mm
2	2	3152	ANGLE, WMK SUPPORT
3	3	4373	Lockwasher-1/2-Split-SZP
4	3	2940	BOLT 1/2-13UNC x 1 1/4LONG, HEXAGON HEAD
5	3	2941	WASHER, FLAT 1/2"
6	2	4372	NUT-1/2-13 UNC-H-SZP
7	1	SEE TABLE 1	Bracket, Mounting Attachment, AH12A
8	4	3153	Bolt-3/8-16UNC x 1Lg-H-SZP
9	4	2785	Nut-3/8-16UNC-H-SZP
10	4	3159	Lockwasher-3/8-Split-SZP



**\*\*SUPPLIED BY CUSTOMER\*\***  
 FOUR 3/8"Ø, GRADE 5 BOLTS  
 OR EQUIVALENT STRENGTH  
 FASTENERS AND A SUPPORTING  
 STRUCTURE  
 (NOT SHOWN FOR CLARITY)

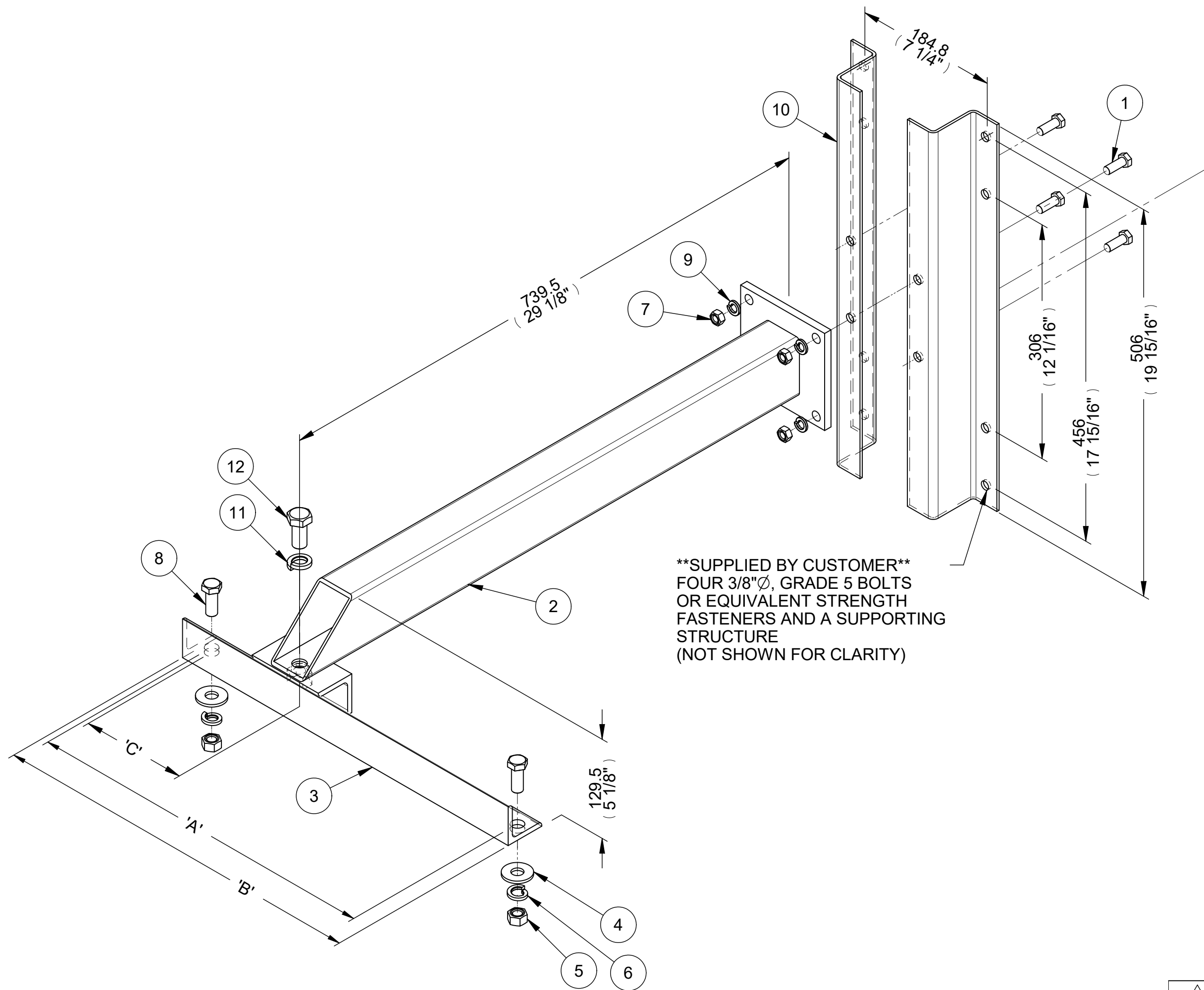
REV.	REVISION DESCRIPTION	DATE	BY
TITLE: MTG Kit, Ruffneck WMK AH			
DWG NO.: 5721-C SHEET: 1 OF 1		TOLERANCE UNLESS NOTED OTHERWISE	
SYTELINE NO.: N/A		± 1/2° ANGULAR	± 0.005" DECIMAL
SCALE: NTS		± 1/16" FRACTIONAL	± 1 mm METRIC
DRN BY: MCARGILL		20 Dec 2007	
CHK'D BY:			
APP'D. BY:			



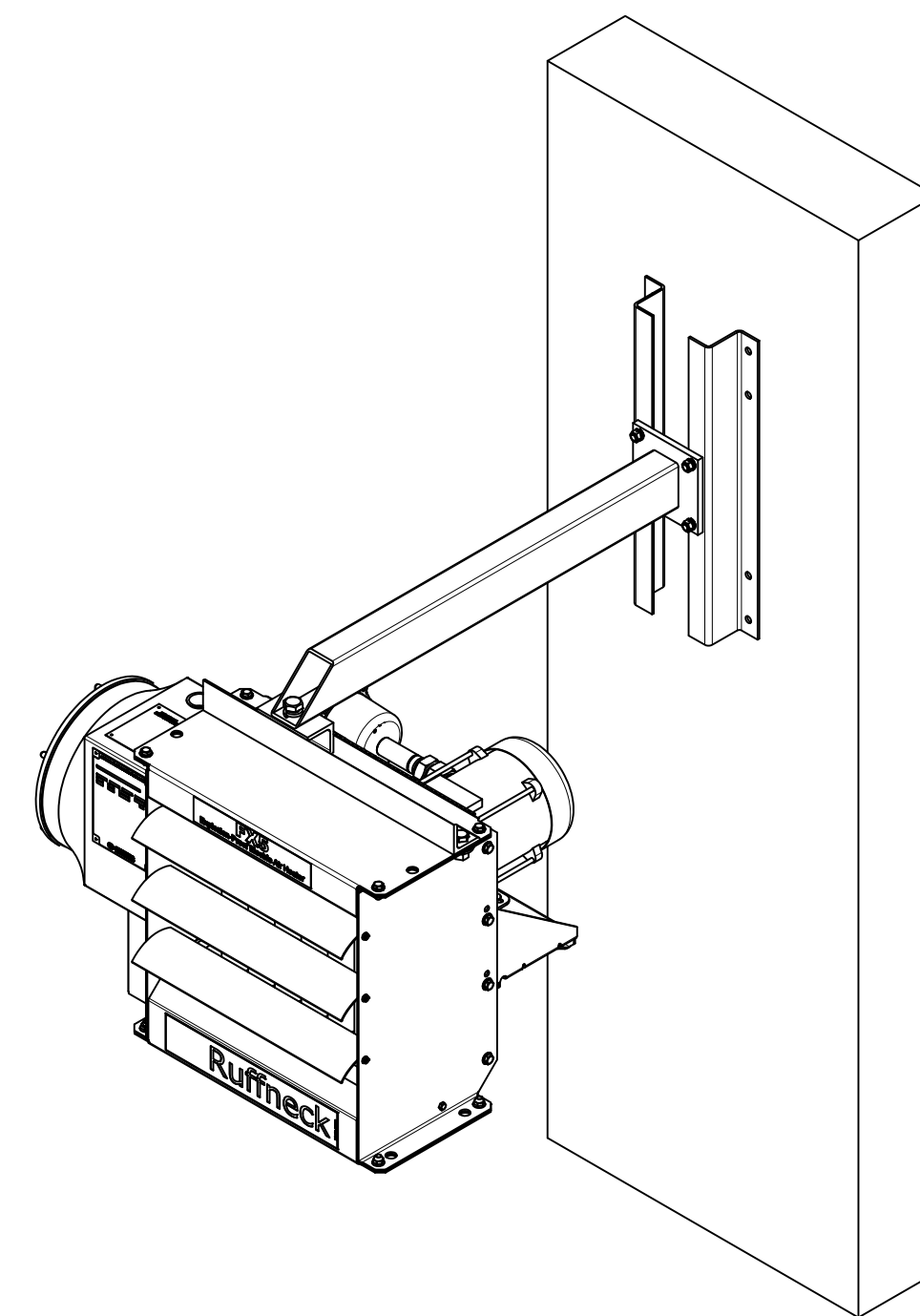
20"	9732	9677	665.0	695.0	316.0
16"	9731	9676	564.0	594.0	209.6
12"	9730	9675	462.0	492.0	152.0
FAN SIZE	MOUNTING KIT PART NO.	HEATER BRACKET PART NO.	DIM 'A'	DIM 'B'	DIM 'C'

TABLE 1. - MOUNTING BRACKET DIMENSIONS

BILL OF MATERIAL			
ITEM	QTY	THERMON PART NO	DESCRIPTION
1	4	3153	Bolt-3/8-16UNC x 1Lg-H-SZP
2	1	9706	ARM, MOUNTING, 750mm
3	1	SEE TABLE	BRACKET, MTG ATTACH ASSY
4	2	2941	WASHER, FLAT 1/2"
5	2	4372	NUT-1/2-13 UNC-H-SZP
6	2	4373	Lockwasher-1/2-Split-SZP
7	4	2785	Nut-3/8-16UNC-H-SZP
8	2	2940	BOLT 1/2-13UNC x 1 1/4LONG, HEXAGON HEAD
9	4	3159	Lockwasher-3/8-Split-SZP
10	2	3152	ANGLE, WMK SUPPORT
11	1	3093	Lockwasher-5/8-Split-SZP
12	1	3122	Bolt-5/8-11UNC x 1 1/4Lg-H-SZP



**\*\*SUPPLIED BY CUSTOMER\*\***  
 FOUR 3/8"Ø, GRADE 5 BOLTS  
 OR EQUIVALENT STRENGTH  
 FASTENERS AND A SUPPORTING  
 STRUCTURE  
 (NOT SHOWN FOR CLARITY)

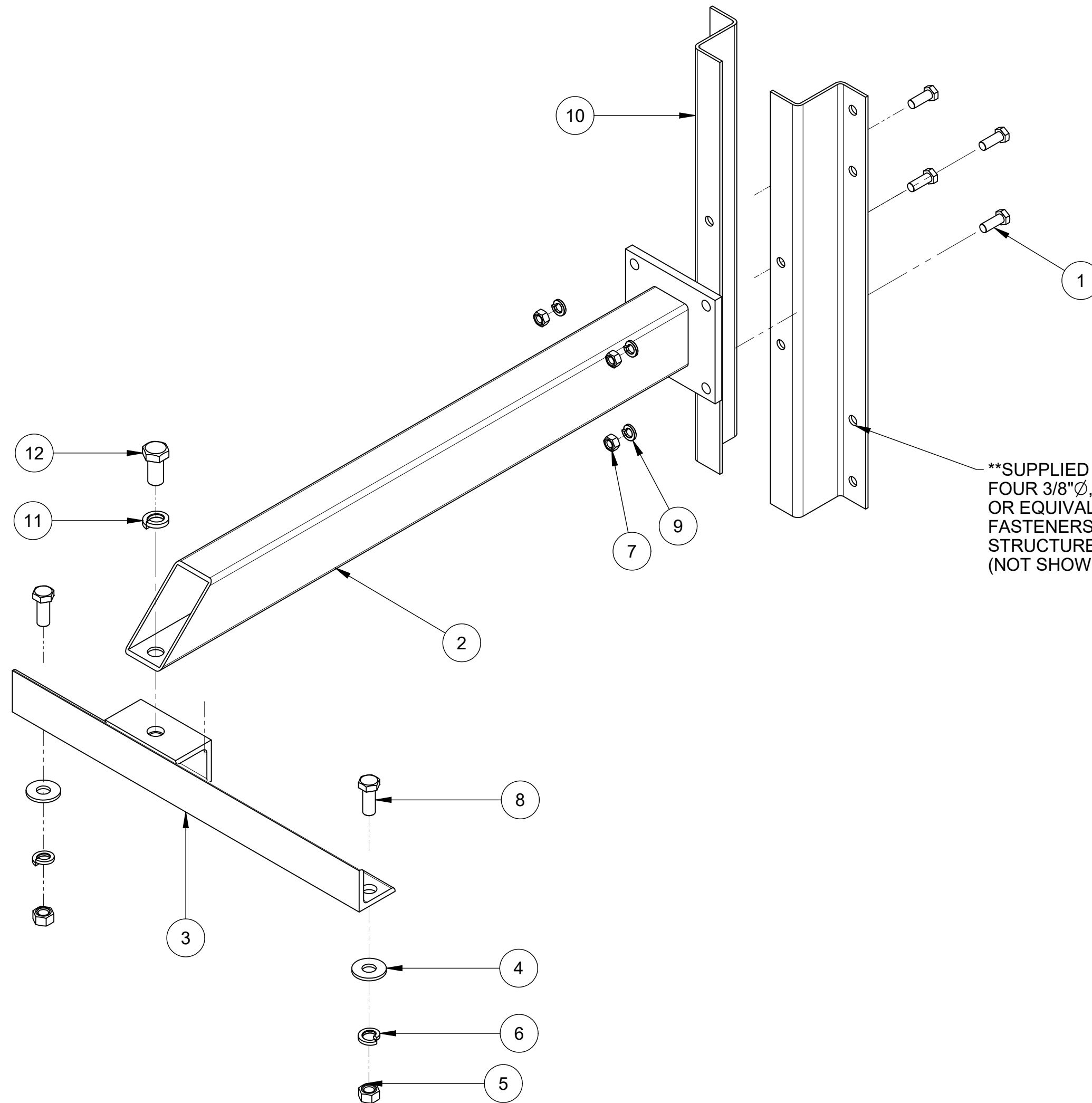


NOTES:

1) ALL DIMENSIONS IN MILLIMETERS (INCHES)

1	ADAPTER (#9771) AND HARDWARE REMOVED.	06 APR 2016	NJS
REV.	REVISION DESCRIPTION	DATE	BY
TITLE: WALL MTG KIT, RUFFNECK FX5/FX6/FE2 HEATER			
DWG NO.: 9730	SHEET: 1 OF 1	TOLERANCE UNLESS NOTED OTHERWISE	
SYTELINE NO.: -		± 1/2° ANGULAR	± 0.005" DECIMAL
		± 1/16" FRACTIONAL	± 1 mm METRIC
SCALE: NTS			
DRN BY: MCARGILL		06 Dec 2007	
CHK'D BY:			
APP'D. BY:			

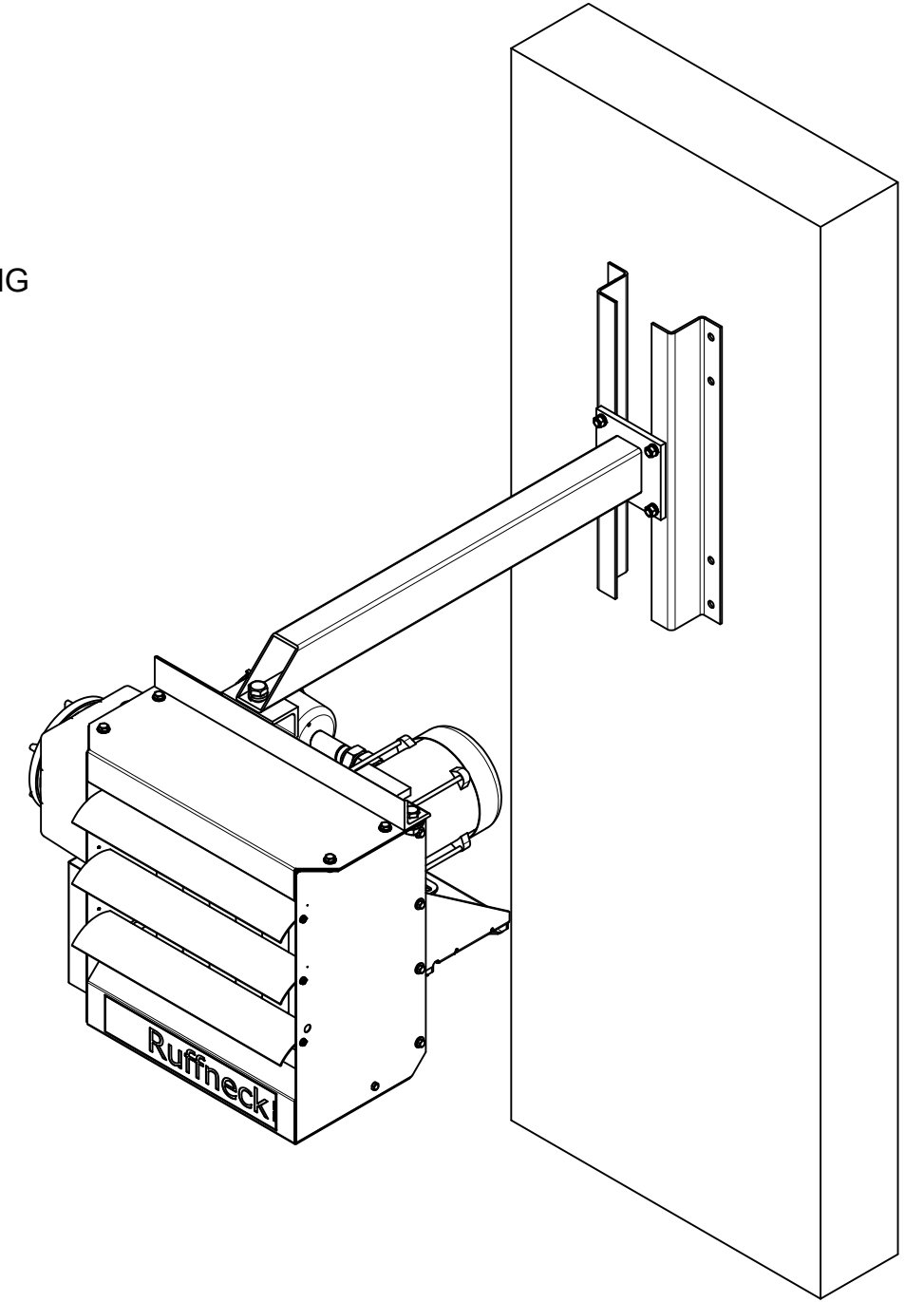




ITEM	QTY	THERMON PART NO	DESCRIPTION
1	4	3153	Bolt-3/8-16UNC x 1Lg-H-SZP
2	1	9706	ARM, MOUNTING, 750mm
3	1	4375	Bracket, Mounting Attachment FX412/FE112
4	2	2941	WASHER, FLAT 1/2"
5	2	4372	NUT-1/2-13 UNC-H-SZP
6	2	4373	Lockwasher-1/2-Split-SZP
7	4	2785	Nut-3/8-16UNC-H-SZP
8	2	2940	BOLT 1/2-13UNC x 1 1/4LONG, HEXAGON HEAD
9	4	3159	Lockwasher-3/8-Split-SZP
10	2	3152	ANGLE, WMK SUPPORT
11	1	3093	Lockwasher-5/8-Split-SZP
12	1	3122	Bolt-5/8-11UNC x 1 1/4Lg-H-SZP

\*\*\*MOUNTING BRACKETS  
 4375 - FX412/FE112  
 4376 - FX416/FE116  
 4377 - FX420/FE120

\*\*SUPPLIED BY CUSTOMER\*\*  
 FOUR 3/8"Ø, GRADE 5 BOLTS  
 OR EQUIVALENT STRENGTH  
 FASTENERS AND A SUPPORTING  
 STRUCTURE  
 (NOT SHOWN FOR CLARITY)

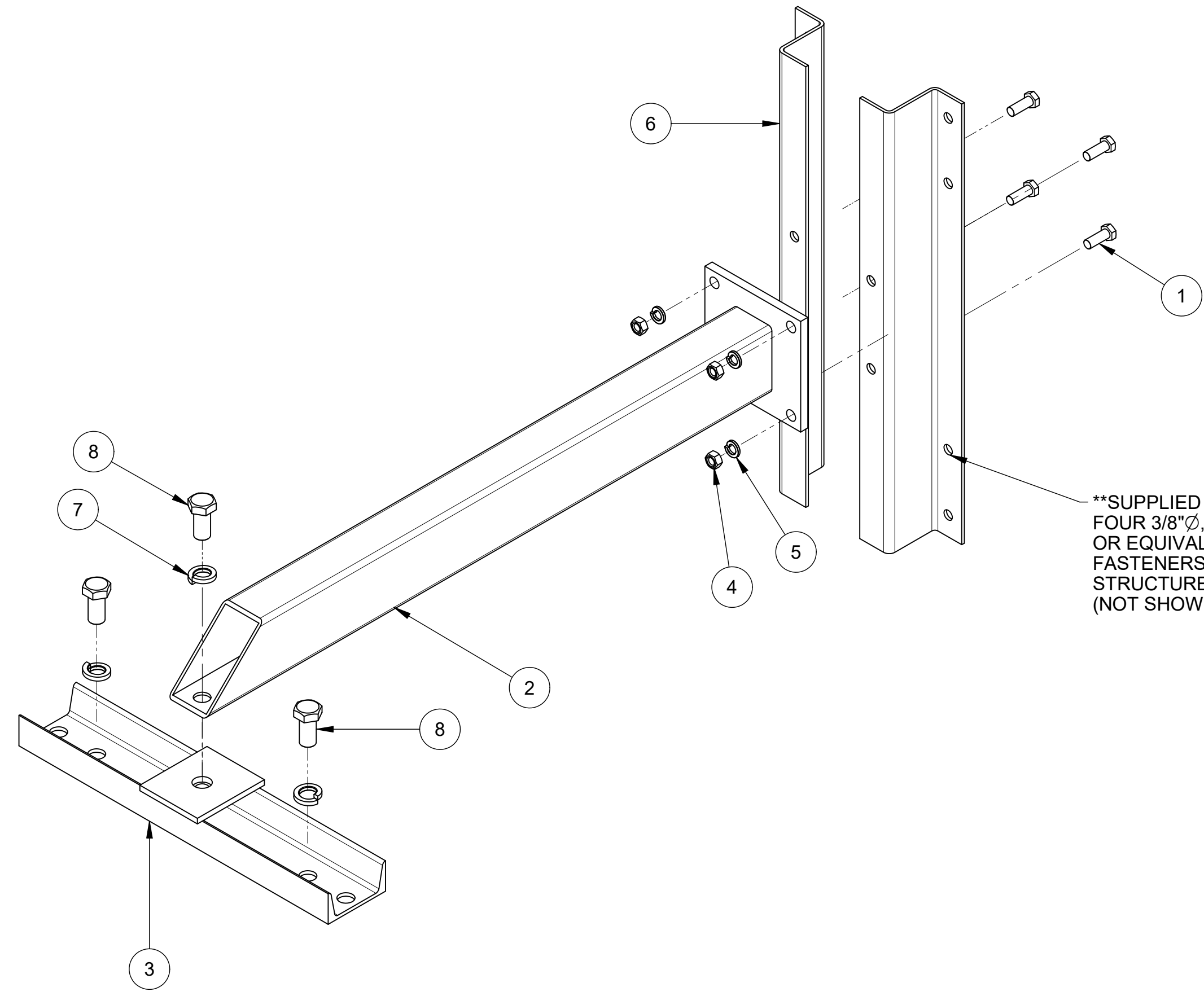


REV.	REVISION DESCRIPTION	DATE	BY
TITLE: MTG Kit, Ruffneck WMK FX4/FE1			
DWG NO.: 4402		SHEET: 1 OF 1	
SYTELINE NO.:4402		TOLERANCE UNLESS NOTED OTHERWISE	
		± 1/2°	± 0.005"
		ANGULAR	DECIMAL
		± 1/16"	± 1 mm
		FRACTIONAL	METRIC
SCALE: NTS			
DRN BY: MCARGILL		18 Dec 2007	
CHK'D BY:			
APP'D. BY:			

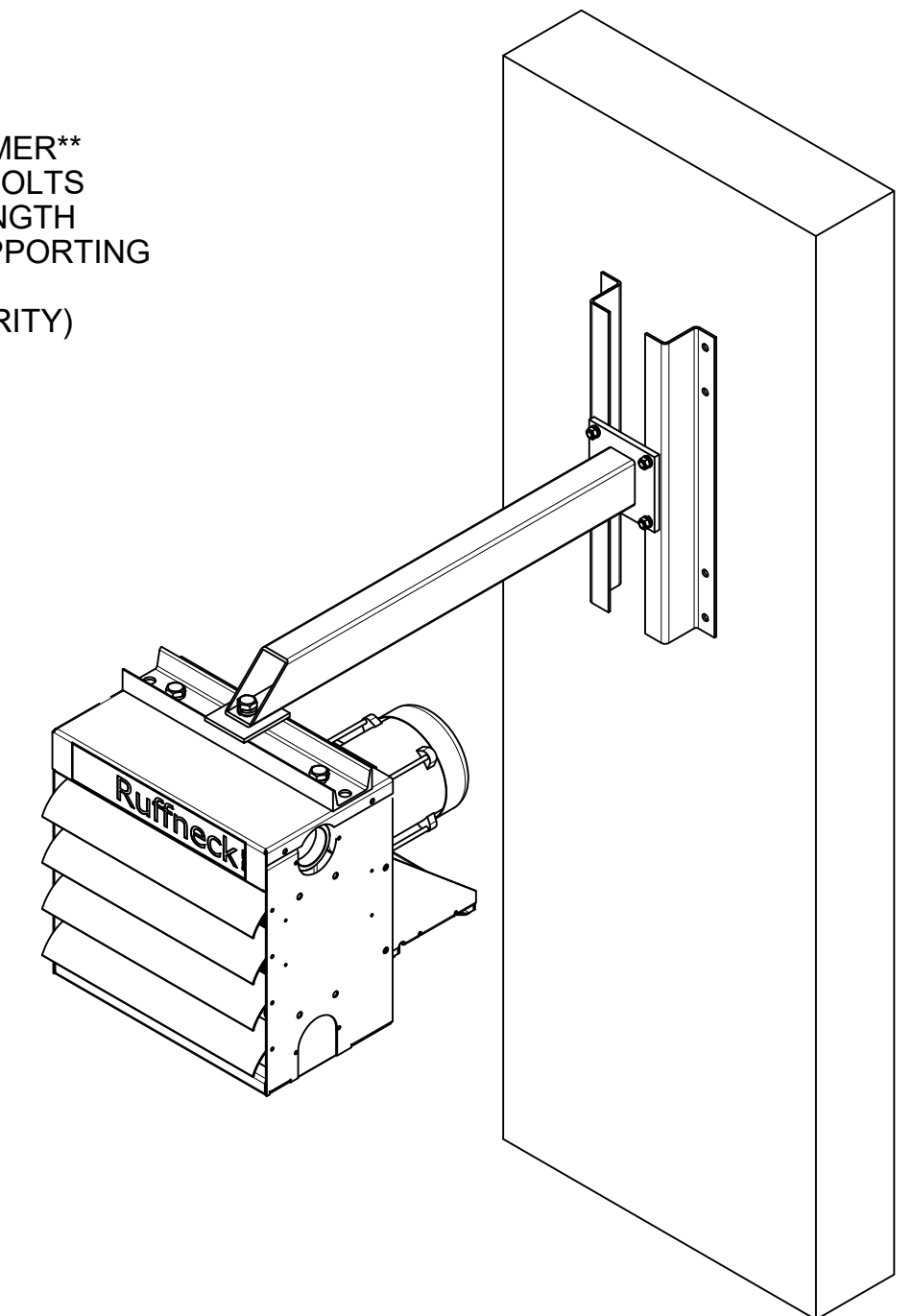


ITEM	QTY	THERMON PART NO	DESCRIPTION
1	4	3153	Bolt-3/8-16UNC x 1Lg-H-SZP
2	1	9706	ARM, MOUNTING, 750mm
***	3	2600	ATTACHMENT ASSY, HP12/16 MTG.
4	4	2785	Nut-3/8-16UNC-H-SZP
5	4	3159	Lockwasher-3/8-Split-SZP
6	2	3152	ANGLE, WMK SUPPORT
7	3	3093	Lockwasher-5/8-Split-SZP
8	3	3122	Bolt-5/8-11UNC x 1 1/4Lg-H-SZP

\*\*\*MOUNTING BRACKETS  
2600 - FR12, FR16, HP12, HP16  
2602 - FR20, FR24, HP20, HP24



\*\*SUPPLIED BY CUSTOMER\*\*  
FOUR 3/8"Ø, GRADE 5 BOLTS  
OR EQUIVALENT STRENGTH  
FASTENERS AND A SUPPORTING  
STRUCTURE  
(NOT SHOWN FOR CLARITY)



REV.	REVISION DESCRIPTION	DATE	BY
TITLE: MTG Kit, Ruffneckl WMK FR/HP			
DWG NO.: 3171		SHEET: 1 OF 1	
SYTELINE NO.:3171		TOLERANCE UNLESS NOTED OTHERWISE	
		± 1/2° ANGULAR	± 0.005" DECIMAL
		± 1/16" FRACTIONAL	± 1 mm METRIC
SCALE: NTS			
DRN BY: MCARGILL		18 Dec 2007	
CHK'D BY:			
APP'D. BY:			

