

# XTE-412 Defender® Thermostat

Ruffneck™ Defender® XTE-412 is engineered for use in the most demanding applications such as drilling rigs, utilidors and industrial facilities where severe service conditions exist.

The Ruffneck™ Defender® XTE-412 thermostat is for heating and cooling control in demanding industrial applications. It is designed for use in hazardous locations where explosive gases or dusts are present. The Ruffneck™ Defender® XTE-412 thermostat is available for line duty up to 240 Vac or pilot duty for up to 120 Vac.

## Features

- All aluminum exterior
- No breakable external plastic parts
- No exposed copper or brass
- Precision die cast components
- Thermal sensor is protected by a sturdy thermowell
- 24 Vac/dc, 120 V / 240 Vac
- Compact and light-weight
- Compatible with all previous and current Defender® thermostat housings
- Microcontroller design
- Electronic relay switch

## Specifications

Temperature range: 32°F to 104°F (0°C to 40°C)

Temperature differential: 5.4°F (3°C)

Net weight: 3.1 lbs (1.41 kg)

Switching: Relay contact

Conduit opening: 3/4" NPT

## Electrical Rating

Resistive: 240 VAC, N.O. 20 A, N.C.10 A

Pilot Duty: 120 VAC, N.O. 470 VA, N.C. 275 VA

## Hazardous Location Ratings

Class I, Division 1 & 2, Groups C & D;

Class II, Division 1, Groups E, F & G;

Class II, Division 2, Groups F & G; Class III;

Class I, Zones 1 & 2, Groups IIA & IIB



**Defender®**  
Explosion-Proof Thermostats

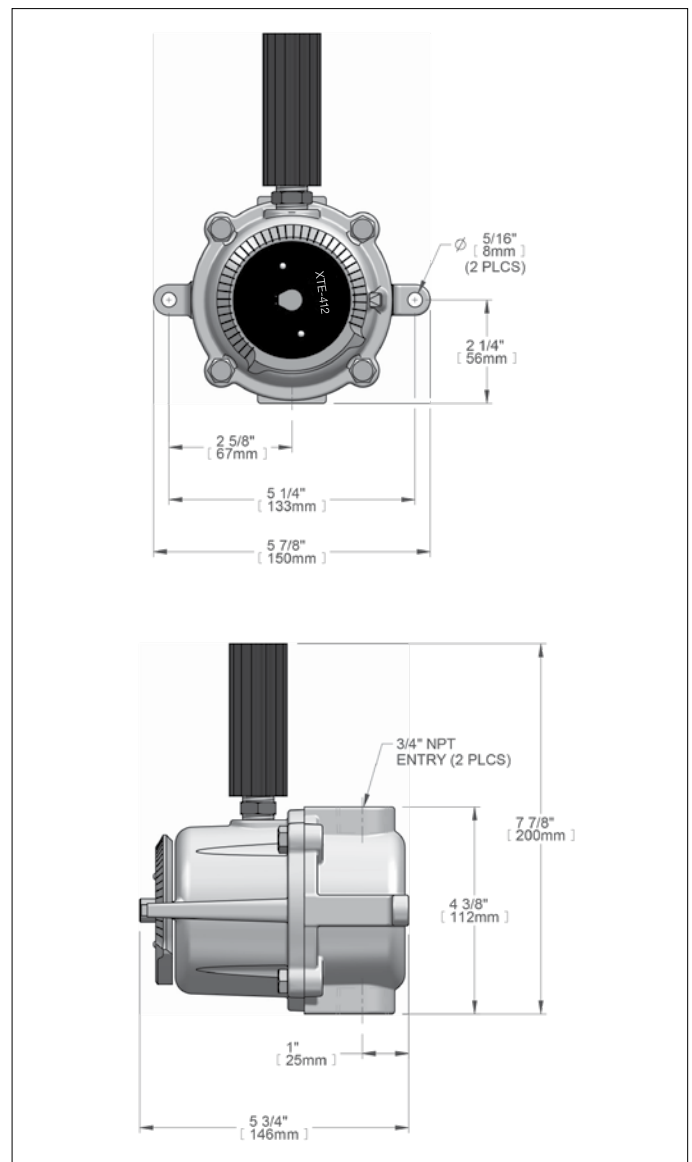


Figure 54 – Dimensions