

CR1 Series 3-Position Switch Replacement Instruction Sheet



WARNING Disconnect heater from the power supply before opening enclosures or servicing heater. Lock the switch in the “OFF” (open) position and/or tag the switch to prevent unexpected power application. This heater should only be serviced by qualified personnel with electrical heating equipment experience.

IMPORTANT These instructions are to be used in conjunction with the heater owner’s manual.

Contents

- Switch knob (including mounting adapter, lock nut, and anti-rotation ring)
- Small contact block (single set of contacts, SPST)
- Large contact block (two sets of contacts, DPST)

Instructions

1. Disconnect all wires from existing switch taking note of the locations of each wire. Remove existing switch and knob from the control box.
2. Install new knob in the enclosure ensuring the knob is in the same orientation as the previous knob.
3. To assemble the contact blocks, insert the large block (DPST) into position #1 of the mounting adapter with the markings of the block facing the outside of the assembly. Insert the small block (SPST) into the mounting adapter in position #2 with the markings of the block facing the outside of the assembly.
4. Install the wires from the original switch into the new switch. Take care to install the wires in the same locations on the new switch (see figures 1 and 2). Refer to the proper wiring diagram (see figures 3 and 4).
5. Install the mounting adapter to the knob on the inside of the enclosure and lock into place by sliding the white locking tab.

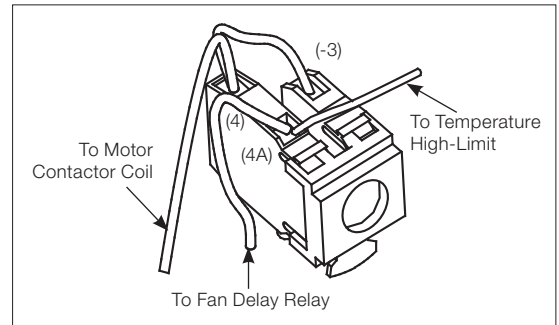


Figure 1

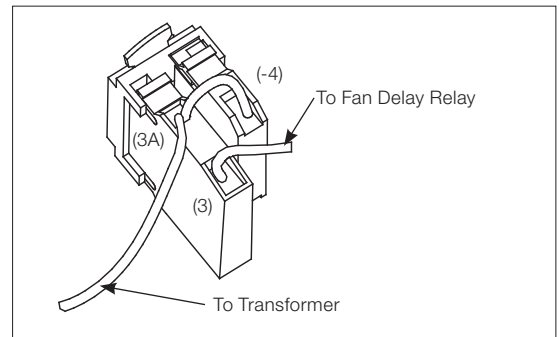


Figure 2

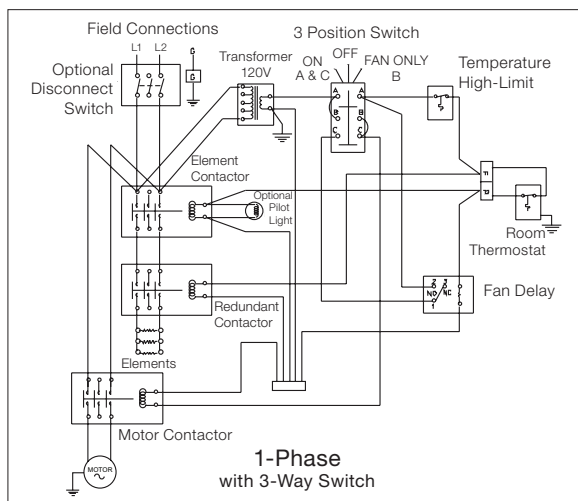


Figure 4

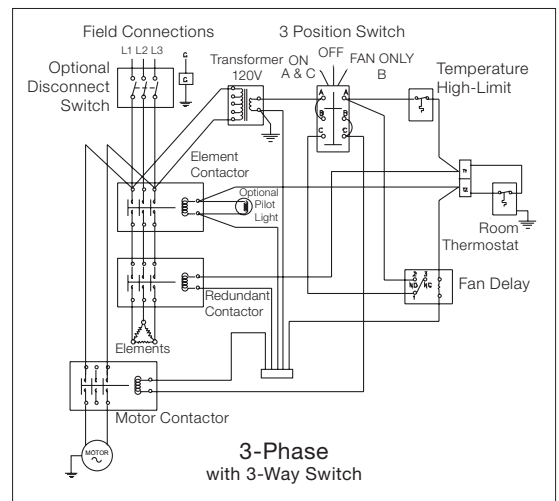


Figure 3