



Explosion-Proof & Moisture Resistant

XT Series Thermostats

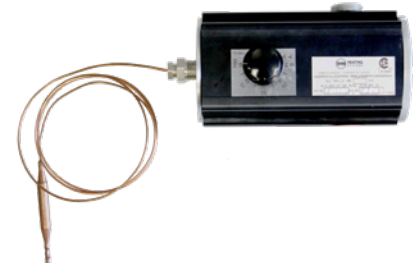
Installation, Operation, & Maintenance Instructions



XTWA Thermostat



XTWL Thermostat



XTB Thermostat

TABLE OF CONTENTS

A. General	3
A.1 Temperature Differential	3
A.2 Overshoot	3
A.3 Sensing Bulb (XTB units only)	3
B. Installation	4
B.1 Wiring	4
C. Operation	5
C.1 Knob-adjust mode: To set the thermostat temperature	5
C.2 Tamper-proof mode: To set the thermostat temperature	5
D. Converting from Knob-Adjust to Tamper-Proof Mode	6
E. Converting from Tamper-Proof to Knob-Adjust Mode	7
F. Troubleshooting	7
G. Preventative Maintenance	7

A. GENERAL

The XT series thermostat features the Norseman™ unique **x-Max**® track and trolley wiring system. The unit can be field converted from externally adjustable to tamper-proof adjustable in minutes.

The XT series thermostats are suitable for both moisture resistant and explosion-proof applications. Check the thermostat nameplate to ensure that the thermostat area classification is suitable for the hazardous area classification.

A.1 Temperature Differential

Usually 5% of the range, but subject to variation depending on the application. Such factors as rate of temperature change, location of sensing bulb, etc. will affect the differential.

A.2 Overshoot

This control works on the principle of liquid expansion. A temperature rise expands the liquid in a bellows which operates a switch. Overshoot in excess of 77°F (25°C) above the highest set point can produce expansion forces that will possibly rupture the bellows or at least cause a deformation that will affect calibration. Calibration shifts result in the process operating at higher temperatures than indicated on the dial. Ultimate failure of this style of control will result in the load being energized continuously. Therefore it is very important to include a high limit in the control circuit as dictated by the electrical code.

A.3 Sensing Bulb (XTB units only)

When handling the sensing bulb, do not kink or squeeze the bulb or capillary.



Caution. Always disconnect power before installation or servicing.

CAUTION



Figure 1 – XTWA

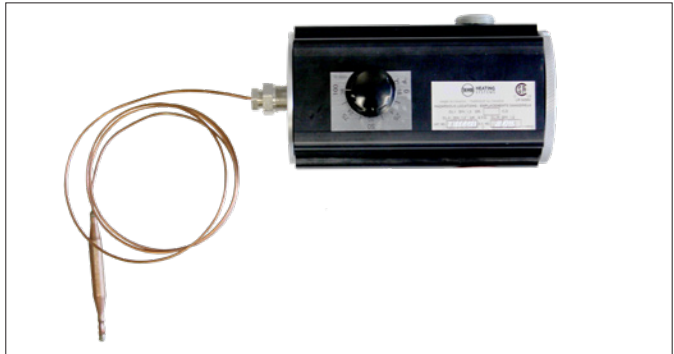


Figure 2 – XTB

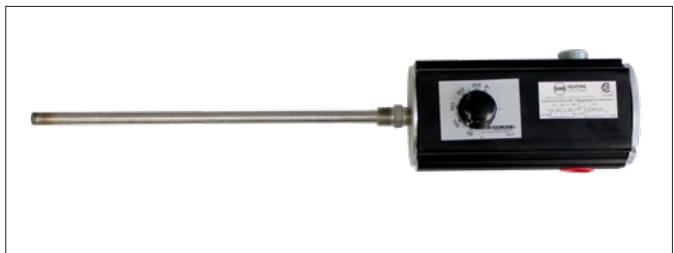


Figure 3 – XTWL

B. INSTALLATION

1. The type XT universal mounting bracket is designed for horizontal (knurled cover at the side) or vertical (knurled cover at the top) mounting. Use the bracket supplied as a template to locate wall holes before attaching the bracket to the thermostat and affixing the assembly to the wall.
2. The model XTWL has an external 3/8" NPT fitting for installing into a tank wall. Use an open end wrench to tighten the fitting to a mating tank fitting. Check for leaks and retighten if necessary.
3. The model XTWA thermostats are equipped with aluminum fins for increased temperature sensitivity.

B.1 Wiring

1. All units must be wired by qualified personnel to electrical code requirements. Conduit, conduit

seals and fittings shall be approved for intended use.

2. Disconnect the power to the unit. Remove knurled cover.
3. Make all necessary electrical connections. Models XT****1 are equipped with a S.P.S.T thermostat suitable for use as a switching component for single phase applications using less than 240V / 30 A, 277V / 25 A and 600V / 15 A. Models XT****3 are equipped with a D.P.S.T. thermostat suitable for use as a switching component for single or three phase applications using less than 600 V / 15 A (See Figure 4, page 4). Thermostats are suitable for pilot duty only in applications requiring higher voltages or currents.

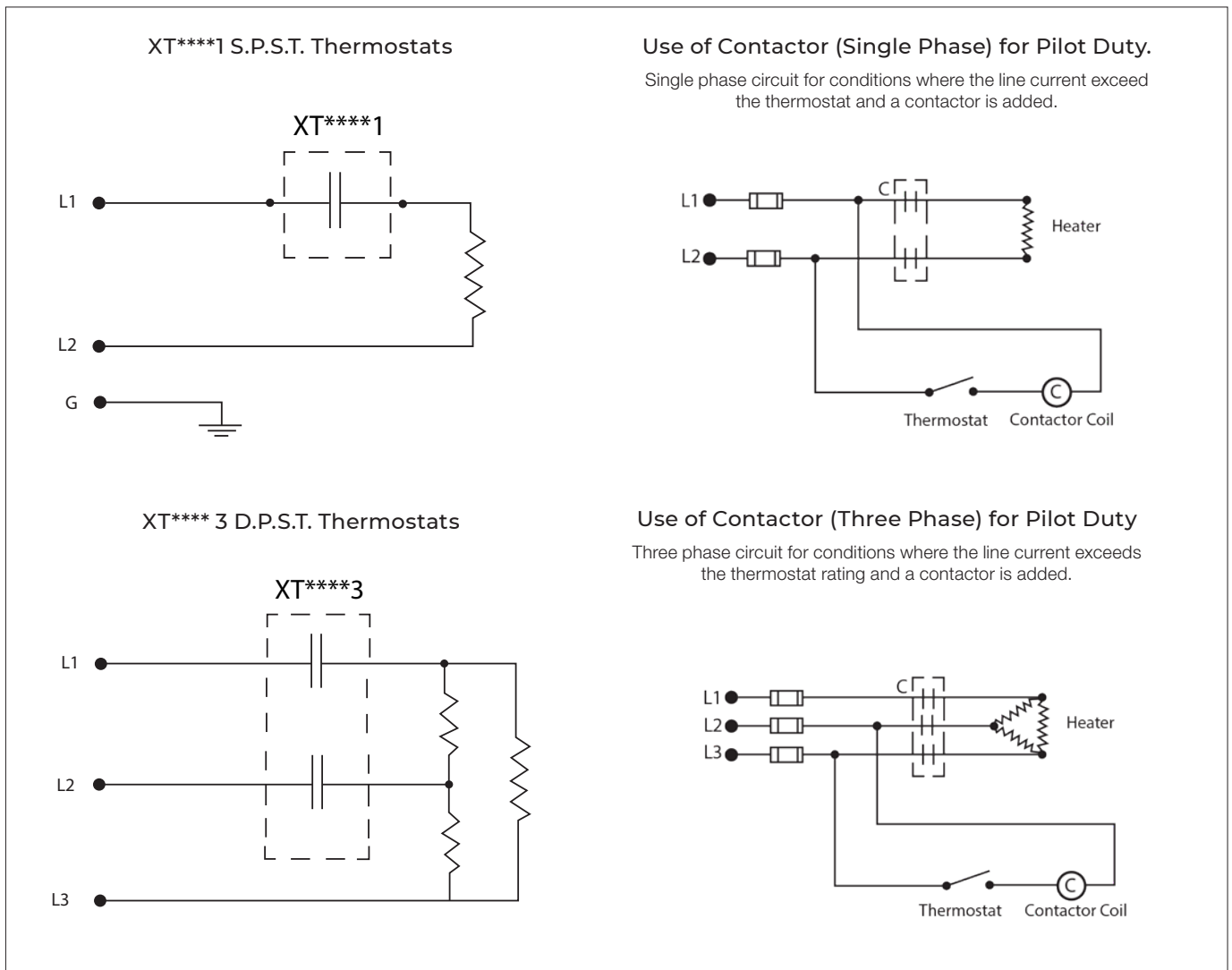


Figure 4 – Wiring Diagrams

Table 1 – XT Series Explosion-Proof Resistant Thermostats

Description	Temperature	Hazardous Area Rating		Catalog No.		Approx. Weight kg (lbs)
		Cl. I, Gr. A,B,C,D, Cl. II, Gr. E,F,G, Cl. III	Cl. I, Gr. C,D Cl. II, Gr. E,F,G, Cl. III	SPST -15 A/600V 1Ø 25 A/277V	DPST - 15 A/600V 3Ø	
Remote Sensing Bulb, with 57" (1,448 mm) capillary length	0 to 100°F (-18 to 40°C)	—	✓	XTB04481	XTB04483	1.7 (3.8)
	50 to 250°F (10 to 120°C)	—		XTB12481	XTB12483	1.7 (3.8)
Bulb with Well with 1/2" NPT Fitting for Liquid Sensing	0 to 100°F (-18 to 40°C)	✓		XTWL04481	XTWL04483	1.8 (4.0)
	50 to 250°F (10 to 120°C)	✓		XTWL12481	XTWL12483	1.8 (4.0)
Bulb in Finned Well for Air Sensing	0 to 100°F (-18 to 40°C)	✓		XTWA04481	XTWA04483	1.8 (4.0)
	50 to 250°F (10 to 120°C)	✓		XTWA12481	XTWA12483	1.8 (4.0)
For XB heaters, use as an add-on kit, Well Assembly provided	0 to 100°F (-18 to 40°C)	✓		XTKW04481	XTKW04483	0.3 (0.7)
	50 to 250°F (10 to 120°C)	✓		XTKW12481	XTKW12483	0.3 (0.7)
For CX and XGB heaters, use as an add-on Kit, with 8" (203 mm) capillary	0 to 100°F (-18 to 40°C)	—		XTKB04481	XTKB04483	0.2 (0.5)
	50 to 250°F (10 to 120°C)	—		XTKB12481	XTKB12483	0.2 (0.5)

C. OPERATION

C.1 Knob-adjust mode: To set the thermostat temperature

1. Rotate the knob to set the thermostat to the desired temperature. Turning the shaft clockwise increases the set point temperature, counterclockwise rotation decreases the set point temperature.

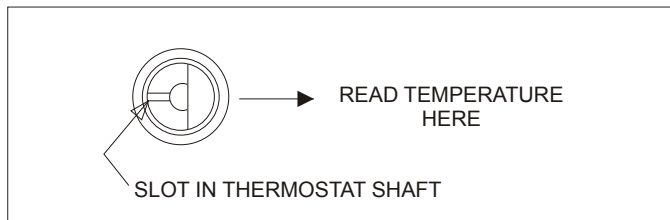


Figure 5 – Thermostat Temperature Setting

C.2 Tamper-proof mode: To set the thermostat temperature

1. Disconnect the power to the unit.
2. Completely remove the socket-head cap screw from the housing assembly.
3. Insert a flat-head screwdriver into the slot cut in the thermostat shaft. See Figure 6, page 5.
4. Rotate the screwdriver to set the thermostat to the desired temperature. See Figure 5, page 5 to determine the temperature setting. Turning the shaft clockwise increases the set point temperature, counterclockwise rotation decreases the set point temperature

NOTE: The thermostat will switch at the ambient temperature when the shaft is rotated.

5. Read the temperature from the front face of unit, as shown in Figure 5, page 5. Replace the socket-head capscrew in the housing assembly.



Figure 6

D. CONVERTING FROM KNOB-ADJUST TO TAMPER-PROOF MODE

1. Disconnect the power to the device. Remove the knurled cover from the housing assembly. See Figure 7, page 6.



Figure 7

2. Slide terminal block trolley out of housing assembly to gain access to thermostat, as shown in Figure 8, page 6.



Figure 8

3. With light finger pressure, gently spring the thermostat away from the bracket assembly, as shown in Figure 9, page 6 (DO NOT press down on the steel bracket). While the thermostat is sprung down, rotate the thermostat knob counterclockwise to remove the operating shaft. See Figure 10 and Figure 11, page 6.

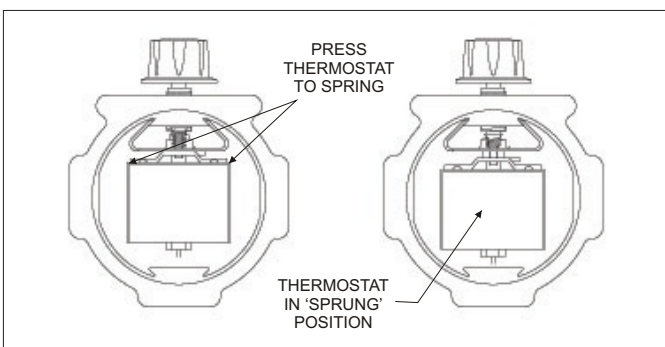


Figure 9 – ‘Springing’ the Thermostat



Figure 10



Figure 11

4. Ensuring that the thermostat shaft remains aligned with the operating shaft hole, place the socket-head cap screw into the hole at the front of the housing and tighten as seen in Figure 12, page 6. Replace the knurled cover.



Figure 12

E. CONVERTING FROM TAMPER-PROOF TO KNOB-ADJUST MODE

1. Disconnect the power to the device. Remove the knurled cover from the housing assembly. Remove the socket-head cap screw. See Figure 12, page 6.
2. Ensuring that the thermostat shaft remains aligned with the cap screw hole, place the knob onto the operating shaft and thread it into the cap screw hole.
3. When the operating shaft engages with the thermostat shaft, with light finger pressure, gently spring the thermostat away from the bracket assembly, as shown in Figure 9, page 6 (DO NOT press down on the steel bracket). Rotate the knob one more full revolution to assure a positive engagement of the thermostat. Release the thermostat.
4. Upon release, the thermostat should spring back into its original position. If the thermostat remains sprung down, a slight twisting of the knob in both directions should create a positive engagement. The knob should be able to turn through the entire temperature range but should not turn one full revolution. If the knob turns completely around, repeat Step 3 of this section.

F. TROUBLESHOOTING

Problem	Cause / Correction
Load will not turn on.	<ol style="list-style-type: none"> 1. Check: <ul style="list-style-type: none"> - Load - Wire connections 2. See wiring diagrams in Figure 4, page 4. 3. Faulty unit, contact factory.
Load will not turn off.	<ol style="list-style-type: none"> 1. Check for kinks in the capillary. 2. Faulty unit, contact factory.
Unit is not controlling to set point	<ol style="list-style-type: none"> 1. Check that bulb is properly located in application. 2. Unit may be out of calibration, contact factory.

G. PREVENTATIVE MAINTENANCE



CAUTION. HAZARD OF ELECTRIC SHOCK. Turn all power to system off. Use appropriate disconnect lockouts and allow system/heater to cool before performing any maintenance.

- **Mechanical Check**
 - ❑ **Check enclosure.** Inside of enclosure must be clean, dry, and free of foreign materials. Enclosure joints are metal to metal. Do not use gasket material or sealant in joints.
 - ❑ **Check the tightness of all hardware.** All nuts and bolts must be tight.
- **Electrical Check**
 - ❑ **Check all terminal connections and conductors.** Tighten loose connections. Conductors with damaged insulation must be replaced.
 - ❑ **Check all explosion-proof conduits.** Replace damaged conduits, unions, and plugs. Ensure 5 turns of engagement on all threaded connections.
 - ❑ If enclosure is moisture resistant, check condition of cover gasket. Contact factory, for component replacement part.



PLEASE ADHERE TO INSTRUCTIONS IN THIS MANUAL

Failure to do so may be dangerous and may void certain provisions of your warranty.

**For further assistance, please call 24hr hotline: 1-800-410-3131 (U.S.A. and Canada)
Please have model and serial numbers available before calling.**

WARRANTY: Under normal use the Company warrants to the purchaser that defects in material or workmanship will be repaired or replaced without charge for a period of 18 months from date of shipment, or 12 months from the start date of operation, whichever expires first. Any claim for warranty must be reported to the sales office where the product was purchased for authorized repair or replacement within the terms of this warranty.

Subject to State or Provincial law to the contrary, the Company will not be responsible for any expense for installation, removal from service, transportation, or damages of any type whatsoever, including damages arising from lack of use, business interruptions, or incidental or consequential damages.

The Company cannot anticipate or control the conditions of product usage and therefore accepts no responsibility for the safe application and suitability of its products when used alone or in combination with other products. Tests for the safe application and suitability of the products are the sole responsibility of the user.

This warranty will be void if, in the judgment of the Company, the damage, failure or defect is the result of:

- Vibration, radiation, erosion, corrosion, process contamination, abnormal process conditions, temperature and pressures, unusual surges or pulsation, fouling, ordinary wear and tear, lack of maintenance, incorrectly applied utilities such as voltage, air, gas, water, and others or any combination of the aforementioned causes not specifically allowed for in the design conditions or,
- Any act or omission by the Purchaser, its agents, servants or independent contractors which for greater certainty, but not so as to limit the generality of the foregoing, includes physical, chemical or mechanical abuse, accident, improper installation of the product, improper storage and handling of the product, improper application or the misalignment of parts.

No warranty applies to paint finishes except for manufacturing defects apparent within 30 days from the date of installation.

The Company neither assumes nor authorizes any person to assume for it any other obligation or liability in connection with the product(s).

The Purchaser agrees that all warranty work required after the initial commissioning of the product will be provided only if the Company has been paid by the Purchaser in full accordance with the terms and conditions of the contract.

The Purchaser agrees that the Company makes no warranty or guarantee, express, implied or statutory, (including any warranty of merchantability or warranty of fitness for a particular purpose) written or oral, of the Article or incidental labour, except as is expressed or contained in the agreement herein.

LIABILITY: Technical data contained in the catalog or on the website is subject to change without notice. The Company reserves the right to make dimensional and other design changes as required. The Purchaser acknowledges the Company shall not be obligated to modify those articles manufactured before the formulation of the changes in design or improvements of the products by the Company.

The Company shall not be liable to compensate or indemnify the Purchaser, end user or any other party against any actions, claims, liabilities, injury, loss, loss of use, loss of business, damages, indirect or consequential damages, demands, penalties, fines, expenses (including legal expenses), costs, obligations and causes of action of any kind arising wholly or partly from negligence or omission of the user or the misuse, incorrect application, unsafe application, incorrect storage and handling, incorrect installation, lack of maintenance, improper maintenance or improper operation of products furnished by the Company.

Edmonton	Oakville	Orillia	Houston	Denver
1-800-661-8529	1-800-410-3131	1-877-325-3473	1-855-219-2101	1-855-244-3128
1-780-466-3178	1-905-829-4422	1-705-325-3473	1-281-506-2310	1-303-979-7339
F 780-468-5904	F 905-829-4430	F 705-325-2106	F 281-506-2316	F 303-979-7350



Thermostats résistants à l'explosion et à l'humidité

XT Series Thermostats

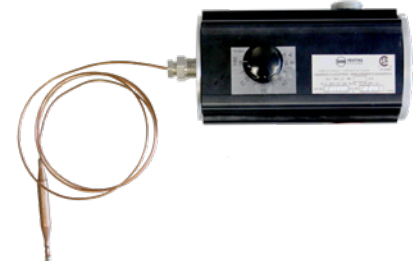
Ce guide traite de l'installation, de la maintenance, de la réparation et des pièces.



XTWA Thermostat



XTWL Thermostat



XTB Thermostat

TABLE DE MATIÈRES

A. Général	11
A.1 Différentiel de température	11
A.2 Surchauffe	11
A.3 Bulbe thermostatique.....	11
B. Installation	12
B.1 Câblage.....	12
C. Fonctionnement	13
C.1 Mode bouton réglable: Pour régler la température du thermostat :.....	13
C.2 Mode inviolable: Pour régler la température du thermostat :.....	13
D. Conversion de mode bouton réglable à mode inviolable	14
E. Conversion de mode inviolable à mode bouton réglable	15
F. Dépannage	15
G. Entretien préventif	15

A. GÉNÉRAL

La série de thermostats XT est dotée du système de câblage unique avec piste et chariot **x-Max**[®] (brevet en instance). L'unité peut être convertie du mode inviolable au mode ajustable de l'extérieur en quelques minutes.

Les thermostats de type XT conviennent aux applications résistantes à l'humidité et aux applications résistantes aux explosions. Vérifier la plaque signalétique du thermostat afin de confirmer que la classification de zone du thermostat est adaptée à la classification de la zone dangereuse.

A.1 Différentiel de température

Habituellement 5 % de la gamme de températures, mais sous réserve de variation selon l'application. Des facteurs tels que le taux de changement de la température, l'emplacement du bulbe, etc. affecteront le différentiel.

A.2 Surchauffe

Cette commande fonctionne selon le principe de l'expansion du liquide. Une élévation de température augmente le liquide dans un soufflet qui actionne un interrupteur. Une surchauffe supérieure à 77 °F (25 °C) plus élevée que le point de consigne peut produire des forces d'expansion qui risquent de rompre le soufflet ou du moins qui risquent de provoquer une déformation qui affectera l'étalonnage. Les variations d'étalonnage entraînent un fonctionnement à des températures plus élevées que celles indiquées sur le cadran. L'échec ultime de ce style de commande entraînera la poursuite de la charge en continu. Par conséquent, il est très important d'inclure une limite élevée dans le circuit de commande telle que dictée par le Code national de l'électricité.

A.3 Bulbe thermostatique

Lors de la manipulation du bulbe thermostatique, ne pas serrer ou tordre le tube capillaire. Style 9, les bulbes de 4,88 mm (3/16 po) de diamètre peuvent être courbés sur un rayon minimum de 10 mm (3/8 po). Style 4, les bulbes d'un diamètre de 10 mm (3/8 po) ne peuvent être courbés.



AVERTISSEMENT. Toujours débrancher les sources d'alimentation avant l'installation ou l'entretien.

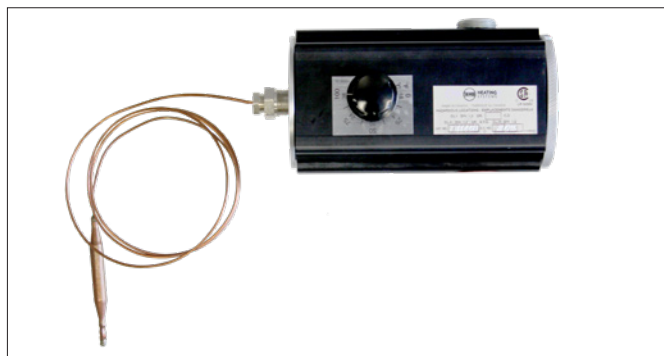


Figure 2 – XT B



Figure 3 – XT ML



Figure 1 – XT WA

B. INSTALLATION

1. Le support universel de type XT est conçu pour être monté à l'horizontale (couvercle moleté sur le côté) ou à la verticale (couvercle moleté sur le dessus). Utiliser le support fourni comme modèle pour localiser les trous du mur avant de fixer le support au thermostat et de le fixer sur le mur.
2. Le modèle XTW****L a un raccord NPT de 10 mm (3/8 po) pour l'installation dans un mur de réservoir. Utiliser une clé à fourche pour serrer le raccord à un raccord de réservoir accouplé. Vérifier s'il y a des fuites et resserrer si nécessaire.
3. Tous les autres modèles de thermostats XTW sont munis d'ailettes en aluminium pour une sensibilité accrue à la température.

B.1 Câblage

1. Toutes les unités doivent être câblées par du personnel qualifié selon le Code national de l'électricité. Les conduits, les joints d'étanchéité de conduit et les raccords doivent être approuvés pour l'utilisation prévue.

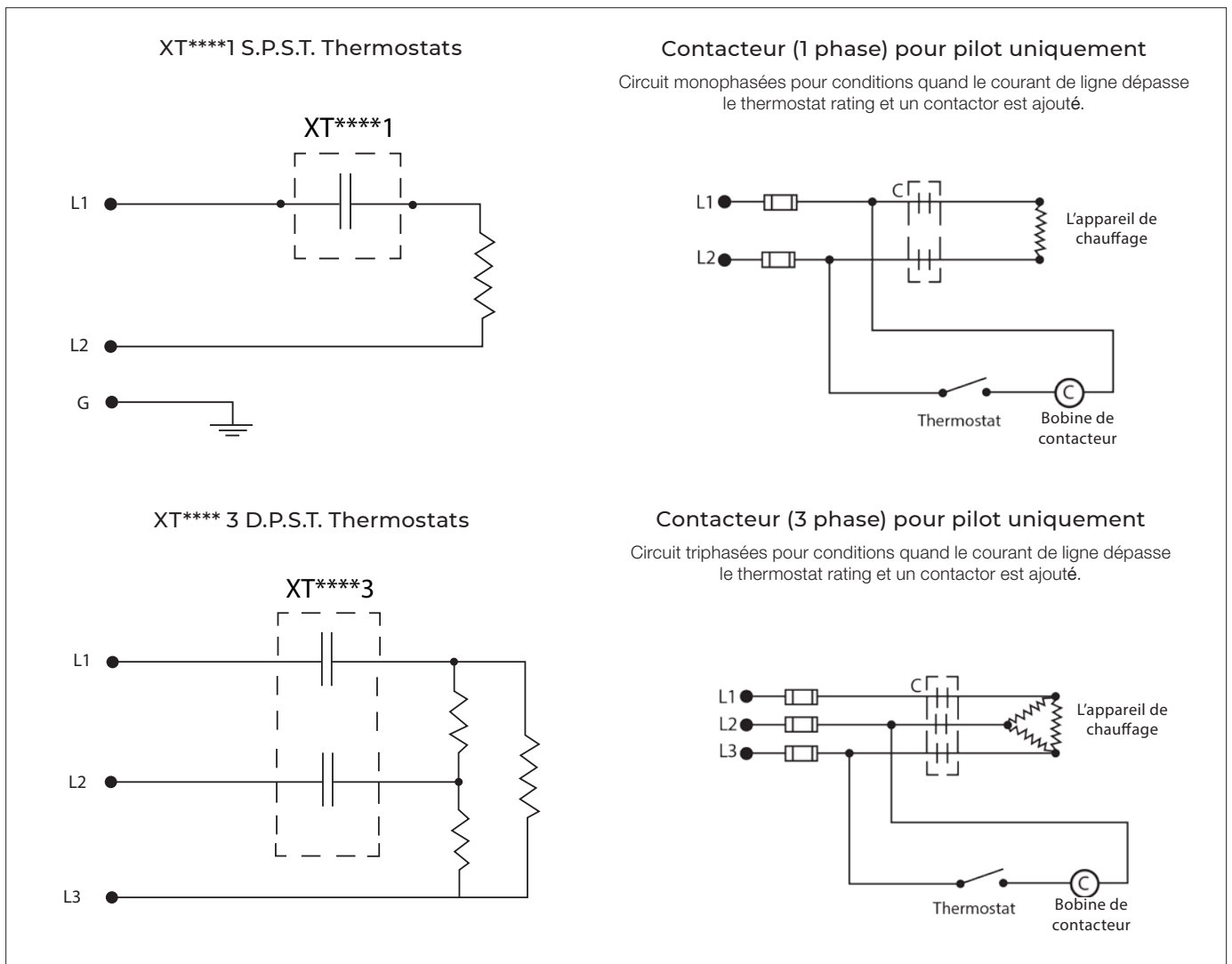


Figure 4 – Schéma de câblage

Tableau 1 – Thermostats résistants à l'explosion et à l'humidité de la série XT

Description	Temperature	Classification de la zone dangereuse		Catalog No.		Approx. Poids kg (lbs)
		Cl. I, Gr. A,B,C,D, Cl. II, Gr. E,F,G, Cl. III	Cl. I, Gr. C,D Cl. II, Gr. E,F,G, Cl. III	SPST -15 A/600V 1Ø 25 A/277V	DPST - 15 A/600V 3Ø	
Bulbe thermostatique à distance, longueur capillaire de 1 448 mm (57 po)	0 à 100°F (-18 à 40°C)	–	✓	XTB04481	XTB04483	1.7 (3.8)
	50 à 250°F (10 à 120°C)	–		XTB12481	XTB12483	1.7 (3.8)
Bulbe à puits avec raccord NPT de 30 mm (1,2 po) pour la sensibilité au liquide	0 à 100°F (-18 à 40°C)	✓		XTWL04481	XTWL04483	1.8 (4.0)
	50 à 250°F (10 à 120°C)	✓		XTWL12481	XTWL12483	1.8 (4.0)
Bulbe à puits de pour détection d'air.	0 à 100°F (-18 à 40°C)	✓		XTWA04481	XTWA04483	1.8 (4.0)
	50 à 250°F (10 à 120°C)	✓		XTWA12481	XTWA12483	1.8 (4.0)
Pour les unités de chauffage XB, s'utilise comme accessoire optionnel, directives d'assemblage du puits fournies	0 à 100°F (-18 à 40°C)	✓		XTKW04481	XTKW04483	0.3 (0.7)
	50 à 250°F (10 à 120°C)	✓		XTKW12481	XTKW12483	0.3 (0.7)
Pour les unités de chauffage CX et XGB, s'utilise comme accessoire optionnel, tube capillaire de 203 mm (8 po)	0 à 100°F (-18 à 40°C)	–		XTKB04481	XTKB04483	0.2 (0.5)
	50 à 250°F (10 à 120°C)	–		XTKB12481	XTKB12483	0.2 (0.5)

C. FONCTIONNEMENT

C.1 Mode bouton réglable: Pour régler la température du thermostat :

1. Faire tourner le bouton pour régler le thermostat à la température désirée. Le fait de tourner l'arbre dans le sens horaire augmente la température du point de consigne, le tourner dans le sens antihoraire diminue la température du point de consigne.

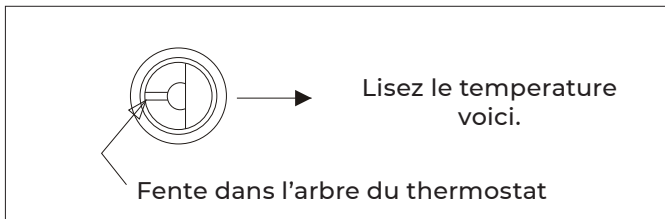


Figure 5 – Thermostat réglage de la température

C.2 Mode inviolable: Pour régler la température du thermostat :

1. Débrancher l'alimentation de l'unité.
2. Retirer complètement la vis à chapeau à tête creuse de l'assemblage de boîtier.
3. Insérer un tournevis à tête plate dans la fente coupée dans l'arbre du thermostat.
4. Tourner le tournevis pour régler le thermostat à la température souhaitée. Voir la Figure 4 pour déterminer le réglage de la température. Le fait de tourner l'arbre dans le sens horaire augmente la

Remarque: Le thermostat reviendra à la température ambiante lorsque l'arbre est tourné).

5. Lire la température de l'avant de l'unité, comme le montre la Figure 5, page 13.



Figure 6

D. CONVERSION DE MODE BOUTON RÉGLABLE À MODE INVIOLENT

1. Débrancher l'alimentation de l'appareil. Retirer le couvercle moleté de l'assemblage de boîtier.



Figure 7

2. Faire glisser le chariot bornier à l'extérieur de l'assemblage de boîtier pour accéder au thermostat, comme illustré à la Figure 8, page 14.



Figure 8

3. À l'aide d'une pression du doigt, soulever doucement le thermostat de l'assemblage du support, comme illustré à la Figure 9, page 14 (NE PAS appuyer sur le support en acier). Lorsque le thermostat est enfoncé, tourner le bouton du thermostat dans le sens antihoraire pour retirer l'arbre d'entraînement. Voir Figure 10 et Figure 11, page 14

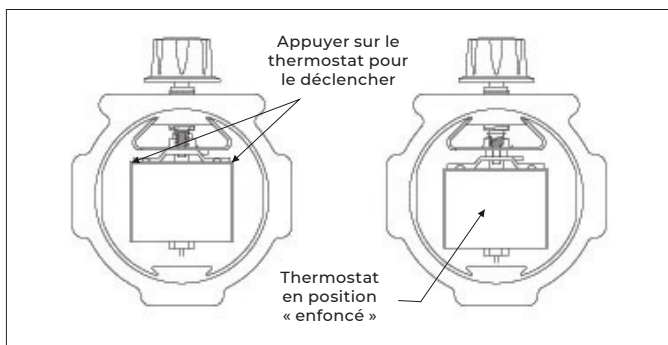


Figure 9 – « Déclencher » le thermostat



Figure 10



Figure 11

4. S'assurer que l'arbre du thermostat reste aligné avec le trou de l'arbre d'entraînement, placer la vis à chapeau à tête creuse dans le trou à l'avant du boîtier et serrer comme Figure 12, page 14. Replacer le couvercle moleté.



Figure 12

E. CONVERSION DE MODE INVOLABLE À MODE BOUTON RÉGLABLE

1. Débrancher l'alimentation de l'appareil. Retirer le couvercle moleté de l'assemblage de boîtier. Retirer la vis à chapeau à tête creuse. Voir Figure 12, page 14.
2. S'assurer que l'arbre du thermostat reste aligné avec le trou de la vis à chapeau à tête creuse, placer le bouton sur l'arbre d'entraînement et le passer dans le trou de la vis à chapeau à tête creuse.
3. Lorsque l'arbre d'entraînement s'engage dans l'arbre du thermostat, avec une légère pression du doigt, soulever doucement le thermostat de l'assemblage du support, comme illustré à la Figure 9, page 14 (NE PAS appuyer sur le support en acier). Tourner le bouton plus d'un tour pour assurer un engagement positif du thermostat. Relâcher le thermostat.
4. Lorsqu'il est relâché, le thermostat devrait revenir dans sa position d'origine. Si le thermostat reste enfoncé, une légère torsion du bouton dans les deux sens devrait créer un engagement positif. Le bouton doit pouvoir passer à travers toute la gamme de températures, mais ne doit pas faire un tour complet. Si le bouton tourne complètement, répéter l'étape 3.

F. DÉPANNAGE

Problème	Cause / Correction
La charge ne s'allume pas.	<ol style="list-style-type: none">1. Vérification<ul style="list-style-type: none">- Charge- Connexions des câbles- Dijoncteurs- Fusibles2. Voir les diagrammes de câblage affichés à la Figure 4, page 4.3. Unité défectueuse, communiquer avec l'usine.
La charge ne s'éteint pas.	<ol style="list-style-type: none">1. Vérifier s'il y a plis dans le tube capillaire.2. Unité défectueuse, communiquer avec l'usine.
L'unité ne contrôle pas le point de consigne.	<ol style="list-style-type: none">1. Vérifier si le bulbe est bien situé lors de l'utilisation.2. L'unité pourrait ne pas être étalonnée, communiquer avec l'usine.

G. ENTRETIEN PRÉVENTIF



AVERTISSEMENT

AVERTISSEMENT. Mettre l'ensemble du système hors tension. Utiliser le verrouillage approprié pour le débranchement et laisser refroidir le système ou l'unité de chauffage avant d'effectuer tout entretien.

- Vérification mécanique
 - **Le connecteur.** L'intérieur de chaque connecteur doit être propre, sec et libre de corps étrangers. Les joints des connecteurs sont en métal sur métal. Ne pas utiliser de joints ou de produits d'étanchéité.
 - **Tout le matériel doit être bien serré.** Tous les écrous et boulons, y compris ceux du matériel de montage, doivent être bien serrés.
- Vérification électrique
 - **Tous les connecteurs et conducteurs.** Serrer ceux qui sont lâches. Les conducteurs dont l'isolation est endommagée doivent être remplacés.
 - **Tous les conduits à l'épreuve des explosions.** Remplacer les raccords-union, bouchons et conduits endommagés. Tous les raccordements filetés doivent avoir 5 tours engagés au minimum.
 - Si l'enceinte est résistante à l'humidité, vérifier l'état du joint de couvercle. Communiquer avec l'usine pour obtenir une pièce de remplacement pour un composant.



VEUILLEZ VOUS CONFORMER AUX INSTRUCTIONS CONTENUES DANS CE MANUEL.

Tout manquement à ces dernières pourrait s'avérer dangereux et invalider certaines dispositions de votre garantie.

Pour obtenir une aide supplémentaire, veuillez appeler: 1-800-410-3131 (U.S.A. and Canada)
Merci de préparer vos numéros de modèle et de série avant d'appeler.

GARANTIE: Dans des conditions normales d'utilisation, la Société garantit à l'acheteur que les produits ayant des défauts matériels ou de fabrication seront réparés ou remplacés sans frais pour une période de 18 mois à compter de la date d'expédition ou 12 mois à partir de la date de début de fonctionnement, selon la date qui arrive à expiration la première. Toute réclamation dans le cadre de la garantie doit être adressée à l'agence commerciale dans laquelle le produit a été acheté afin d'obtenir une réparation ou un remplacement selon les termes de cette garantie.

Non obstant toute loi fédérale ou provinciale au contraire, la Société ne pourra être tenue pour responsable des frais encourus pour l'installation, le retrait du service, le transport ou les dommages de quelque nature que ce soit, y compris les dommages résultant d'un manque d'utilisation, d'interruptions d'activité ou de dommages directs ou indirects.

La Société ne peut anticiper ou contrôler les conditions d'utilisation du produit et, par conséquent, décline toute responsabilité quant à l'application et l'adaptation en toute sécurité de ses produits lors de leur utilisation seuls ou en combinaison avec d'autres produits. Il est de la seule responsabilité de l'utilisateur d'effectuer des tests pour vérifier l'application et l'adaptation en toute sécurité des produits.

Cette garantie sera nulle si, à l'appréciation de la Société, le dommage, la panne ou le défaut a été causé par:

- Des vibrations, des radiations, de l'érosion, de la corrosion, une contamination du processus, des conditions opératoires anormales, le tempérament et la pression, une poussée ou une pulsation anormale, l'encrassement, une usure normale, un manque d'entretien, des services appliqués de manière inappropriée tels que le voltage, l'air, le gaz l'eau et autres, ou toute autres autorisées par les conditions de régime; ou
- Tout acte omission de la part de l'acheteur ses agents, employés ou entrepreneur indépendant, comprenant pour une plus grande précision, mais pas au point de limiter la généralité de ce qui précède, une mauvaise utilisation physique, chimique ou mécanique, un accident, une mauvaise

installation du produit, de mauvaises conditions de stockage ou de manipulation du produit, une application inappropriée ou en défaut d'alignement des pièces.

Aucune garantie ne s'applique à la finition de peinture, excepté dans le cas de défauts de fabrication apparents dans les 30 jours à compter de la date d'installation.

Le Société n'assume ni m'autorise aucune personne à assumer en son nom toute autre obligation ou responsabilité en rapport avec le/les produit(s).

L'acheteur accepte que la Société ne fournisse aucune garantie, expresse, implicite ou légale (y comprise toute garantie de qualité marchande ou de convenance à des fins particulières), écrite ou orale, du produit ou de la main-d'oeuvre indirecte, à l'exception des dispositions exprimées ou contenues dans le présent accord.

RESPONSABILITÉ: Les données techniques contenues dans le catalogue ou sur le site Web sont sujettes à modification sans préavis. La Société se réserve le droit d'apporter des modifications par rapport aux dimensions ou à la conception si nécessaire.

L'acheteur reconnaît que la Société ne sera pas dans l'obligation de modifier ces articles manufacturés avant la formulation des modifications de conception ou des améliorations apportées au produit par la Société

La Société ne sera pas tenue de dédommager ou d'indemniser l'acheteur, l'utilisateur final ou toute autre partie pour les actions, les réclamations les responsabilités, les préjudices les sinistres, la perte d'usage, le perte d'activité, les dommages, les dommages indirects ou consécutifs, les demandes, les sanctions, les amendes, les dépenses (y compris les dépenses légales), les pertes, les obligations et les conséquences d'une action de quelque nature que ce soit découlant entièrement ou en partie de la négligence ou de l'omission de l'utilisateur ou de la mauvaise utilisation, de la mauvaise application, de l'utilisation dangereuse, de mauvaise installation, du manque d'entretien, du mauvais entretien ou de la mauvaise opération des produits fournis par la Société.

Edmonton

1-800-661-8529

1-780-466-3178

F 780-468-5904

Oakville

1-800-410-3131

1-905-829-4422

F 905-829-4430

Orillia

1-877-325-3473

1-705-325-3473

F 705-325-2106

Houston

1-855-219-2101

1-281-506-2310

F 281-506-2316

Denver

1-855-244-3128

1-303-979-7339

F 303-979-7350