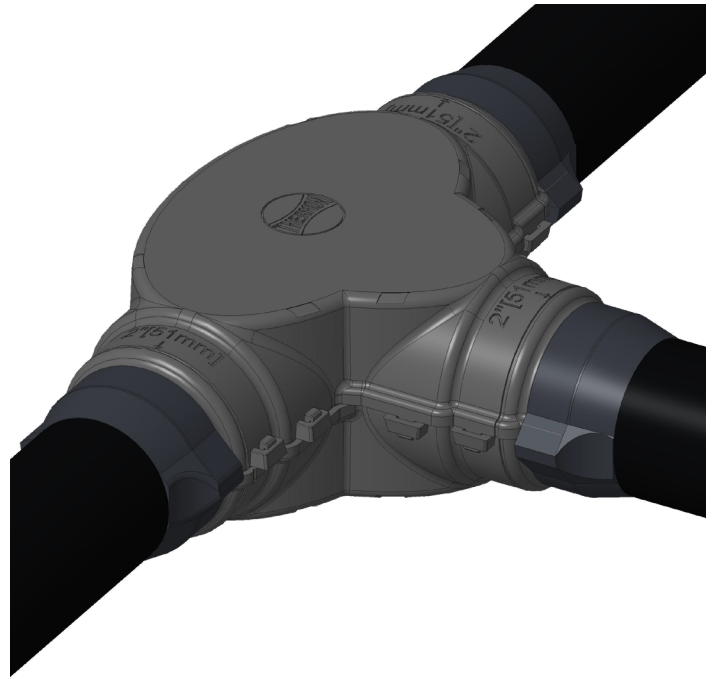


FAK-5LHT

Tee Splice Kit for
Tubing Bundles

INSTALLATION PROCEDURES



FAK-5LHT

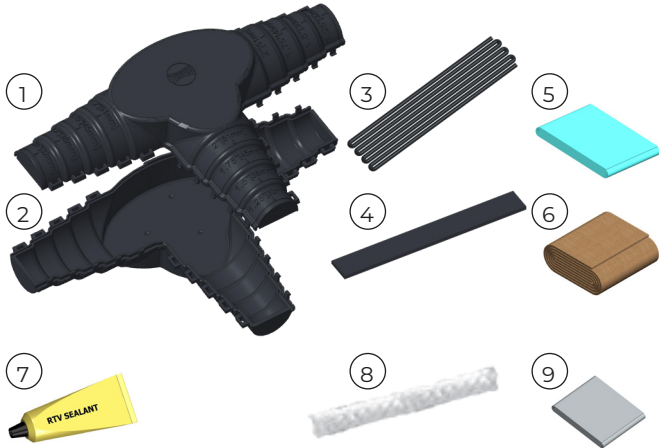
The FAK-5LHT Tee Splice Kit is designed to make a waterproof seal over the end of Fluid/Steam Heated TubeTrace and ThermoTube at the tee splice connections. Review instructions prior to installation. Kit will make one splice connection (Tube fittings not included).

The following installation procedures are suggested guidelines for the installation of the FAK-5LHT: Tee Splice kit.

Receiving, Storing and Handling

1. Inspect materials for damage incurred during shipping.
2. Report damages to the carrier for settlement.
3. Identify parts against the packing list to ensure the proper type and quantity has been received.
4. Store in dry location.

FAK-5LHT: Tee Splice Kit

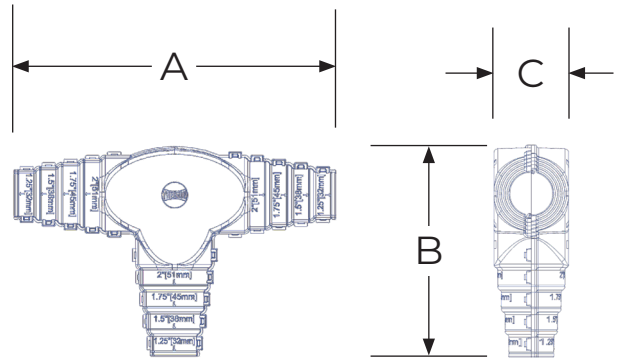


FAK-5LHT: Tee Splice Kit Contents

Item	Quantity	Description
1	1	Tee Splice Cover (Top)
2	1	Tee Splice Cover (Bottom)
3	1	Silicone Gasket
4	1	Self-Vulcanizing Tape
5	1	Heat Reflective Tape
6	1	Glass Fiber Tape
7	3	RTV Sealant Tube
8	1	Fiberglass Rope, 13 mm x 366 cm (1/2"x 12')
9	1	Heavy Foil Tape, 44.5 mm (1.75") wide

INSTALLATION PROCEDURES

Dimensions

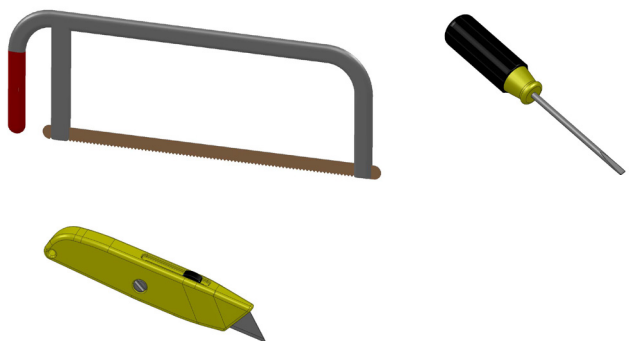


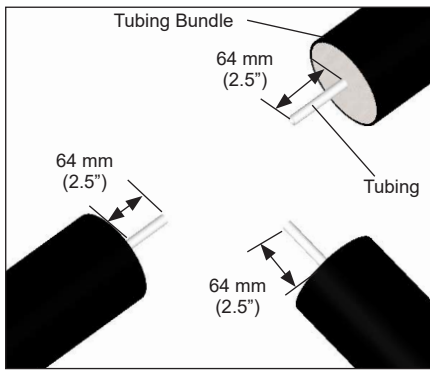
	A	B	C
	mm (inch)	mm (inch)	mm (inch)
FAK-5LHT	489 mm (19-1/4")	317 mm (12-1/2")	111 mm (4-3/8")

Installation Precautions

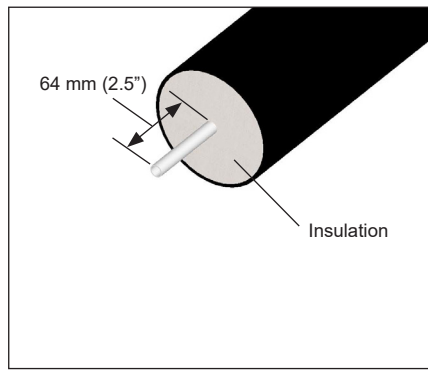
- Component approvals and performance ratings are based on the use of Thermon specified parts only. User supplied power connection fittings must be listed or certified for intended use.
- Keep ends of kit components dry before and during installation.
- Individuals installing these products are responsible for complying with all applicable safety and health guidelines. Proper personal protective equipment, or PPE, should be utilized during installation. Contact Thermon if you have any additional questions.

Tools Required

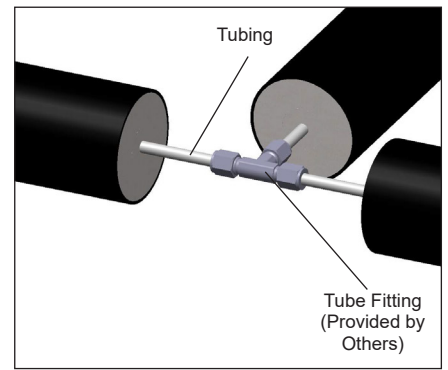




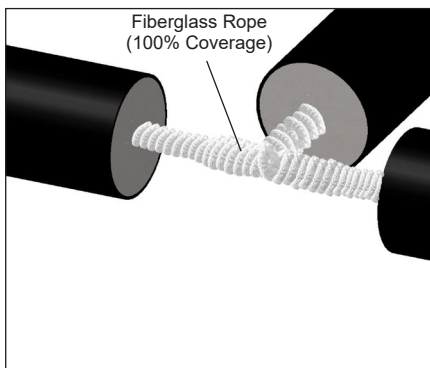
1. Remove outer jacket and insulation from tubing bundle approximately 64 mm (2.5") from the end of the tubing bundle.



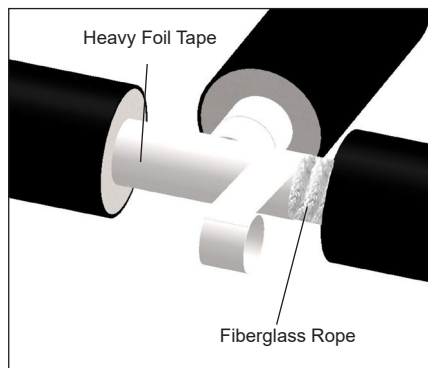
2. Prepare bundle for tubing connection. Ensure a clean, square cut. De-burr tube ends.



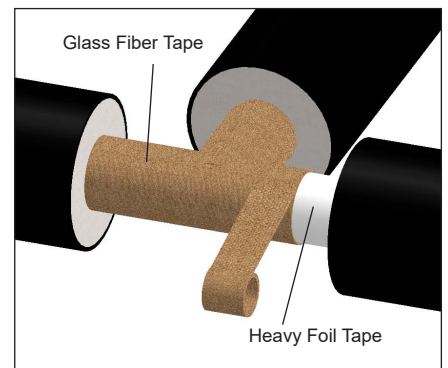
3. Make tube connections with appropriate fittings, provided by others. Test fittings for leaks before proceeding.



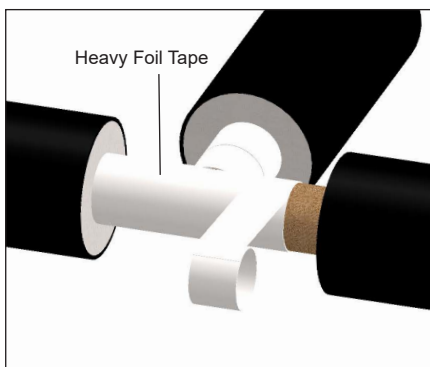
4. Wrap high temperature tubing with 1/2" fiberglass rope.



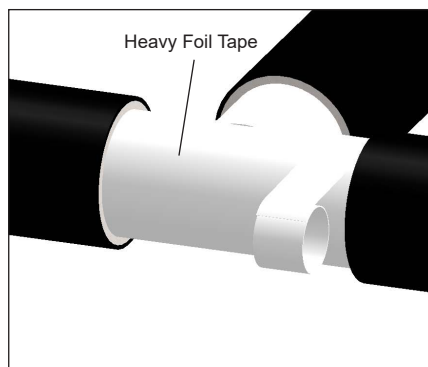
5. Wrap rope with one pass of heavy foil tape (25% overlap).



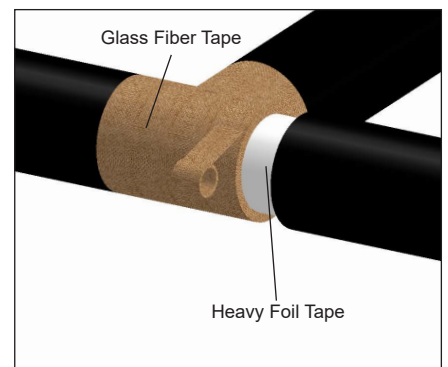
6. Wrap with 3 passes of glass fiber tape (50% overlap).



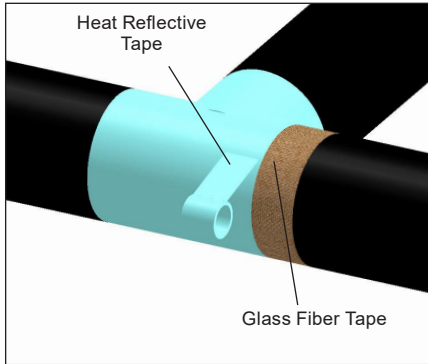
7. Add 1 additional pass of heavy foil tape (25% overlap).



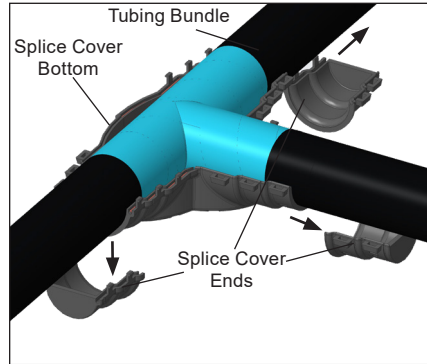
8. Add 1 additional pass of heavy foil tape (25% overlap).



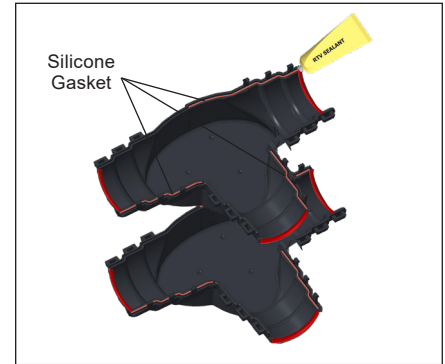
9. Wrap with 4 passes of glass fiber tape (50% overlap), or until fiber tape is equal to original bundle insulation thickness.



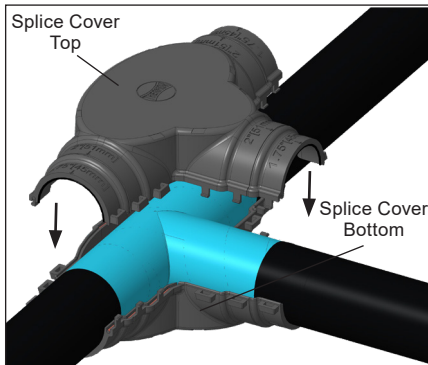
10. Wrap with 1 pass of heat reflective tape (50% overlap).



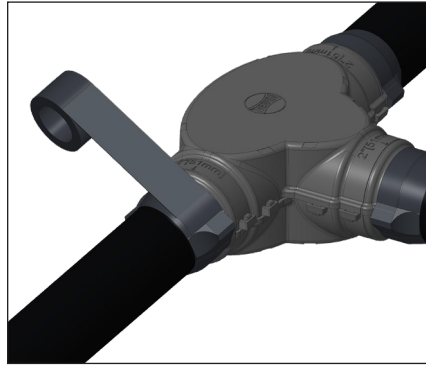
6. Cut top and bottom splice cover ends to match outside diameter of tubing bundle.



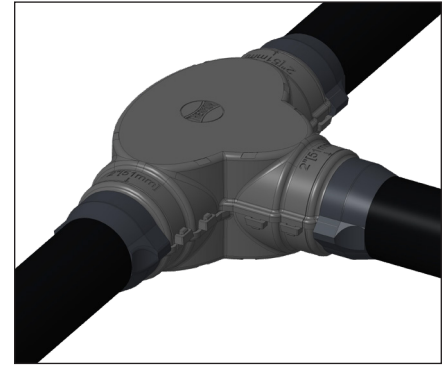
7. Install silicone gasket, cutting off excess. Apply RTV sealant to both halves.



8. Fit tubing bundle to bottom half of cover and install top half. Snap together firmly. Inspect ends of tubing splice cover for snug fit. Apply additional RTV sealant where needed.



9. Apply self-vulcanizing tape around bundle jacket and work up over FAK ends.



10. Completed FAK-5LHT kit.

