



HSX Splice

Splice and End Termination Kit

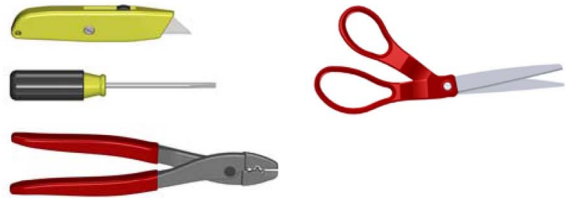


Item	Quantity	Description
1	3	HSX Cable Gland Grommet
2	1	Tee Box
3	1	Terminal Block
4	3	Power Cable Gland
5	1	Blanking Cap (Inline Splice Only)
6	1	RTV Adhesive
7	2	ET-6 End Cap
8	3	TBX-3S Power Connection Boot
9	2	Green/Yellow Heat Shrink
10	2	Caution Label

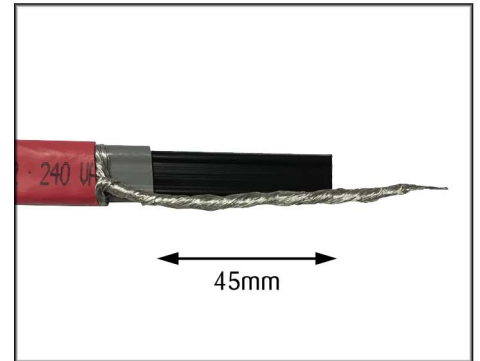
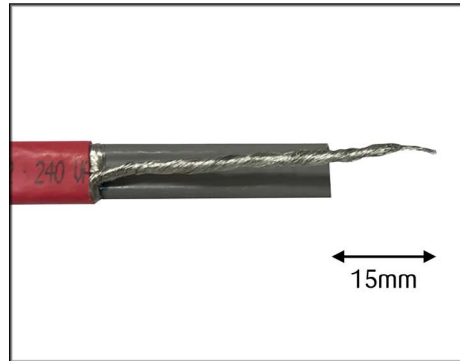
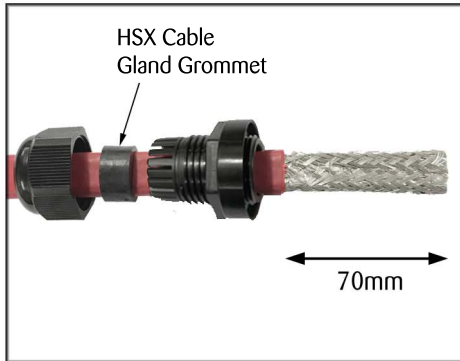
Installation Precautions . . .

- De-energize all power sources.
- Keep ends of heating cable and kit components dry before and during installation.
- The kit instructions should be used in conjunction with the installation instructions for the heating cable and other accessory items.

Tools Required . . .



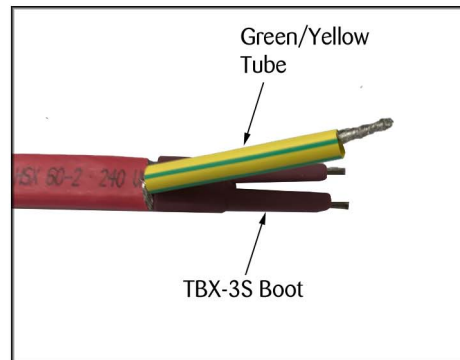
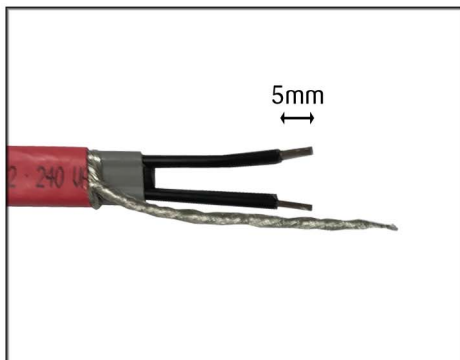
Splice Connection for HSX Cables



1. Unscrew Power Cable Gland and replace grommet with HSX Cable Gland Grommet. Slide the cable gland over the end of the cable. With your knife remove 70mm of the cable overjacket.

2. Separate the braid from the cable and twist to a point. Remove the foil from the primary jacket. With your cutters remove 15mm from end of the cable.

3. With your knife remove 45mm of the primary jacket. Be careful not to cut the bus wire.



4. With your scissors remove the centre of the black matrix between the 2 bus wires. With your wire strippers remove 5mm of the black matrix to expose the bus wires.

5. Place a small amount of RTV Sealant into the TBX-3S boot and slide over the two bus wires. Wipe away any excess sealant. Cut 50mm of the green/yellow tube and place over the cable braid.

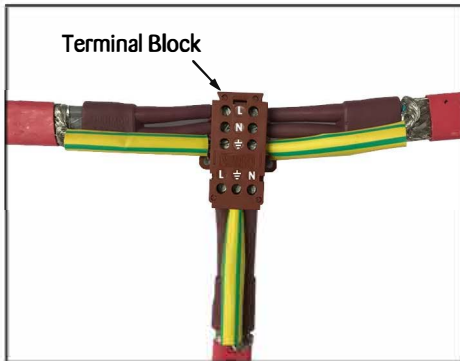
6. For Tee Splice Connection goto Step 7a.
For In-line Splice Connection goto Step 8a.
For End Termination goto Step 9a.



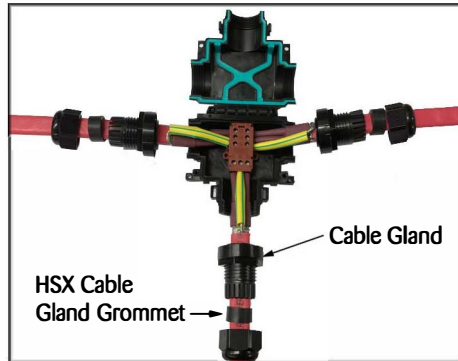
HSX Splice

Tee Splice / In-line Splice and End Termination Kit

For Tee Splice Connection for HSX Cables



7a. Using a small flat head screwdriver, screw the cable bus wires into the in the 'L' and 'N' terminal block.
Screw cable braid into the Earth '⊕' hole of the terminal block.

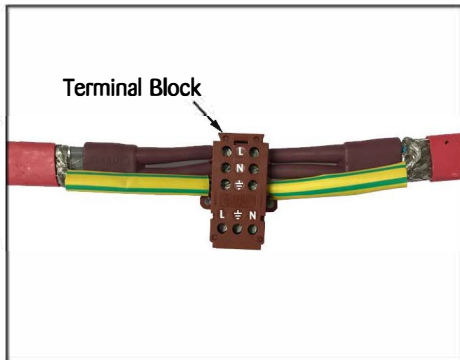


7b. Secure the terminal block and cables inside the Tee box.

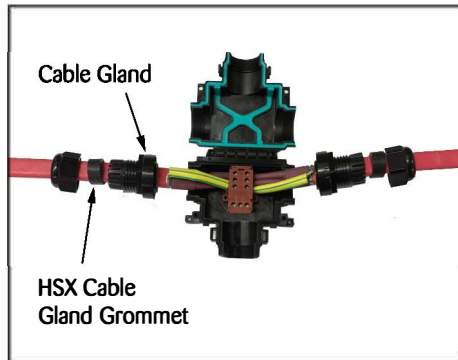


7c. Close the Tee box and screw the cable gland into the cover. Insert the HSX cable gland grommet into the gland. Now tighten the nut on the gland. Do this for the other two cables. Do not over tighten the glands. This completes the Tee connection.

For In-line Splice Connection for HSX Cables



8a. Using a small flat head screwdriver, screw the cable bus wires into the in the 'L' and 'N' terminal block.
Screw cable braid into the Earth '⊕' hole of the terminal block.

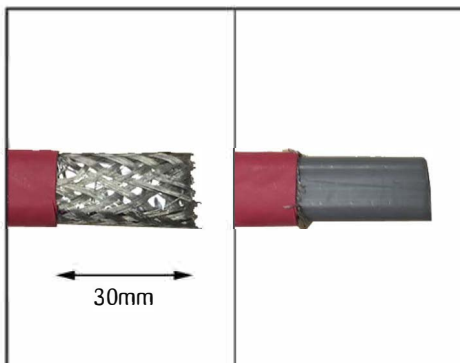


8b. Secure the terminal block and cables inside the Tee box.



8c. Close the Tee box and screw the cable gland into the cover. Insert the HSX cable gland grommet into the gland. Now tighten the nut on the gland. Do this for the other cable. Do not over tighten the glands. Screw in the blanking cap into bottom section. This completes the In-line Splice connection.

End Termination for HSX Cables



9a. With your knife cut and remove 30mm of the heater cable overjacket. Trim away exposed metallic braid and aluminium foil with scissors.



9b. Apply a generous amount of RTV sealant to the cable end and inside the ET-6 end cap.



9c. Slide the ET-6 end cap over the end of the HSX heater cable. Wipe away any excess sealant.



THERMON . . . The Heat Tracing Specialists
30 London Dr. • PO Box 532 • Bayswater, VIC, Australia 3153
Phone: +613 9762-6900 • Facsimile: +613 9762-9519
website: www.thermon.com

For the Thermon office nearest you
visit us at . . .

www.thermon.com



Specifications and information are subject to change without notice.
FormPN502101