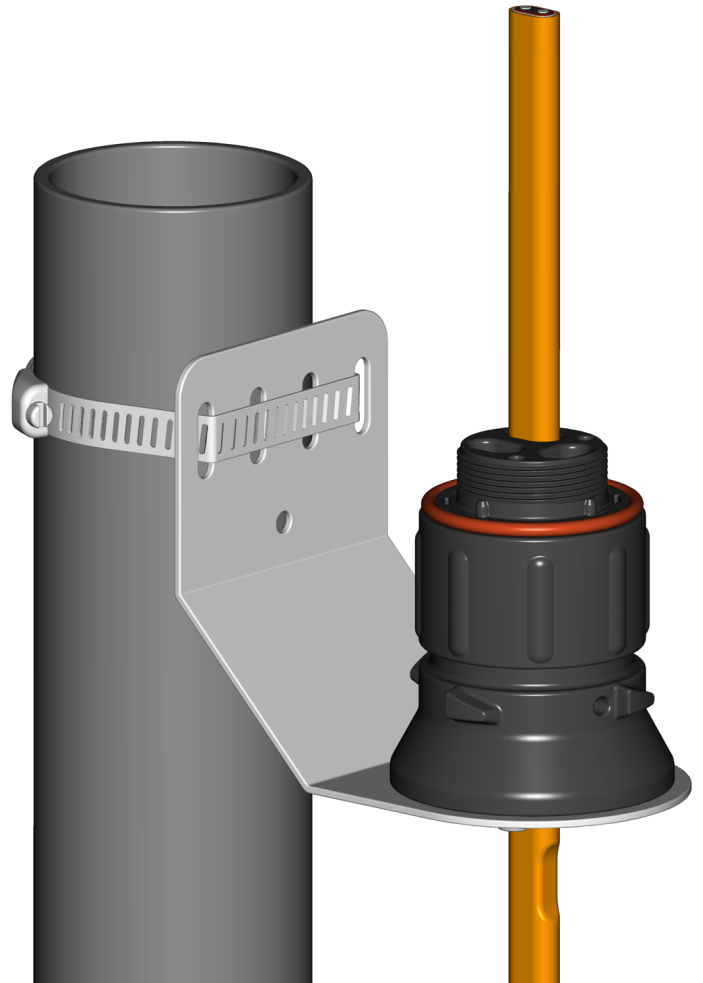


Terminator™ WMK

Wall Mount Conversion Kit

To be used in conjunction with
Terminator™ Termination Kits

INSTALLATION PROCEDURES



Terminator™ WMK

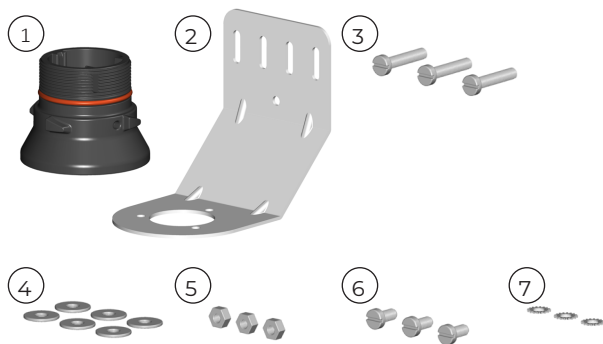
The following installation procedures are suggested guidelines for the installation of the Terminator Wall Mount Conversion Kit. For translations other than English and local language translation provided here, please contact Thermon. The English language installation procedure shall govern.

Receiving, Storing and Handling

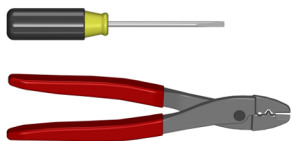
1. Inspect materials for damage incurred during shipping.
2. Report damages to the carrier for settlement.
3. Identify parts against the packing list to ensure the proper type and quantity has been received.
4. Store in a dry location.

Kit Contents

Item	Quantity	Description
1	1	Wall Mount Support Base w/O-Ring
2	1	Wall Mount Bracket
3	3	#10 x 1" Screws
4	6	#10 Flat Washers
5	3	#10 Nuts
6	3	M5 x 8 mm Screws
7	3	M5 Lock Washers



Tools Required



Certifications/Approvals

CE 0344 Ex In accordance with the ATEX Directive

IEC IECx International Electrotechnical Commission
IEC Certification Scheme for Explosive Atmospheres

Terminator has additional hazardous area approvals including:

- GGTN • Kazakhstan

Applications

1. Thermon heating cables are used for freeze protection or temperature maintenance of piping, tanks and instrumentation.
2. Heat tracing cables may be installed in ordinary (nonclassified) and hazardous (classified) locations depending on the specific cable options and approvals.

Warnings

- Due to the risk of electrical shock, arcing and fire caused by product damage or improper usage, installation or maintenance, a ground-fault protection device is required.
- Installation must comply with Thermon requirements (including form PN 50207U for Ex systems) and be installed in accordance with the regulations as per the norm EN IEC 60079-14 for hazardous areas (where applicable), or any other applicable national and local codes.
- Component approvals and performance ratings are based on the use of Thermon specified parts only.
- De-energize all power sources before opening enclosure.
- Avoid electrostatic charge. Clean only with a damp cloth.
- Keep ends of heating cable and kit components dry before and during installation.
- Minimum bending radius of heating cable is 32 mm (except HPT is 57 mm and FP is 19 mm).
- Individuals installing these products are responsible for complying with all applicable safety and health guidelines. Proper Personal Protective Equipment (PPE) should be utilized during installation. Contact Thermon if you have any additional questions.

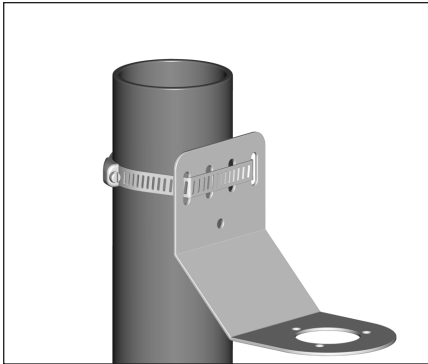


Due to the risk of electrical shock, arcing and fire caused by product damage or improper usage installation or maintenance, a ground-fault protection device is required for all heat tracing circuits. Bond the metal sheath of the heat tracing cable to a suitable earth terminal.

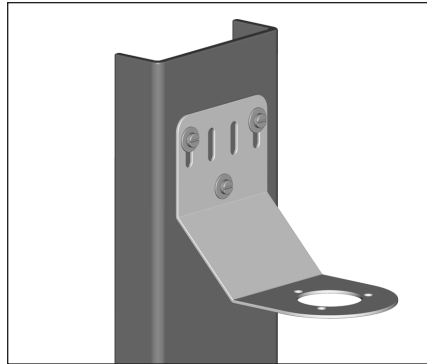
INSTALLATION PROCEDURES



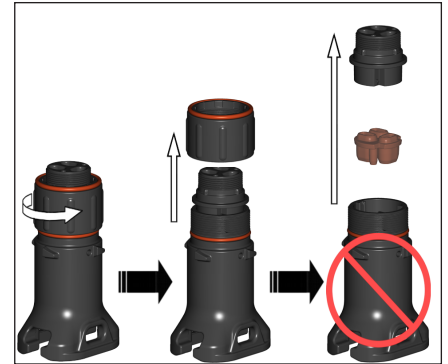
These steps replace Steps 1-6 in the installation instructions provided with Terminator kits.



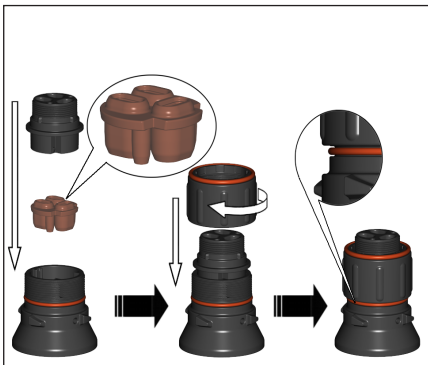
1a. Mounting Method 1: Secure wall mount bracket to mounting surface using pipe band provided with kits.



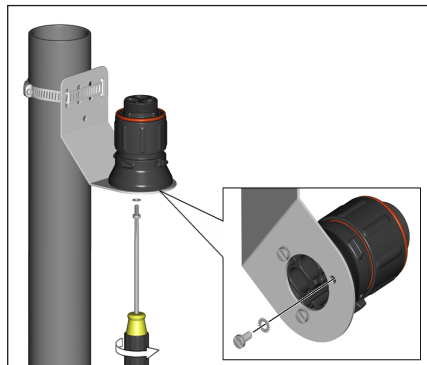
1b. Mounting Method 2: Secure wall mount bracket to mounting surface using #10 x 1" screws, #10 flat washers, and #10 nuts.



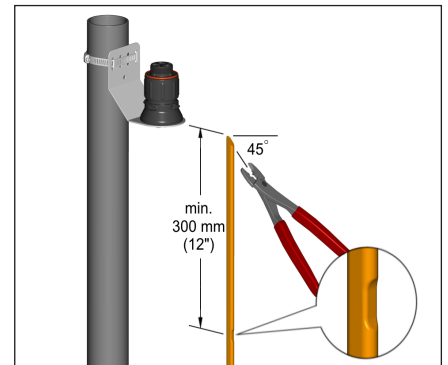
2. Take apart expeditor assembly and discard support base. Make sure not to discard grommet.



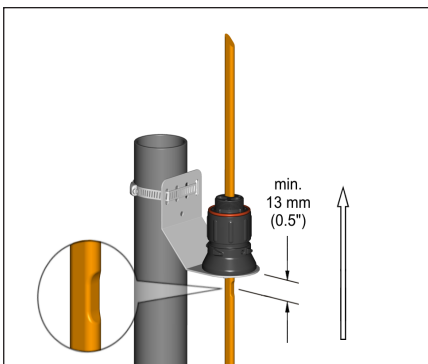
3. Put together expeditor assembly using wall mount support base. Place grommet in support base. Snap threaded grommet compressor into support base. Screw support cap onto support base.



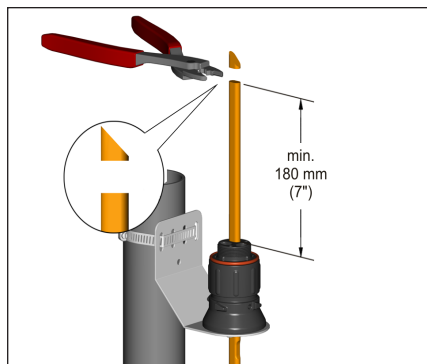
4. Mount expeditor to bracket using M5 x 8 mm screws and M5 lock washers.



5. Locate bus connection (HPT and FP only) as shown. Cut end of cable at angle to aid in piercing grommet. Leave additional cable for expansion as needed.



6. Insert cable into expeditor. Make sure bus connection (HPT and FP only) remains outside of expeditor.



7. Cut off end of cable.

Note: For HPT and FP cable, exchange grommet in Terminator with GRW-G provided in PETK-3.



European Headquarters: Boezemweg 25 · PO Box 205 · 2640 AE Pijnacker · The Netherlands · Phone: +31 (0) 15-36 15 370
Corporate Headquarters: 100 Thermon Dr · PO Box 609 · San Marcos, TX 78667-0609 · Phone: 512-396-5801 · 1-800-820-4328
For the Thermon office nearest you visit us at . . . www.thermon.com