

**WarmTrace™**

Systems for Hot Water Temperature Maintenance



**The Heat Tracing Specialists®**

Commercial Products

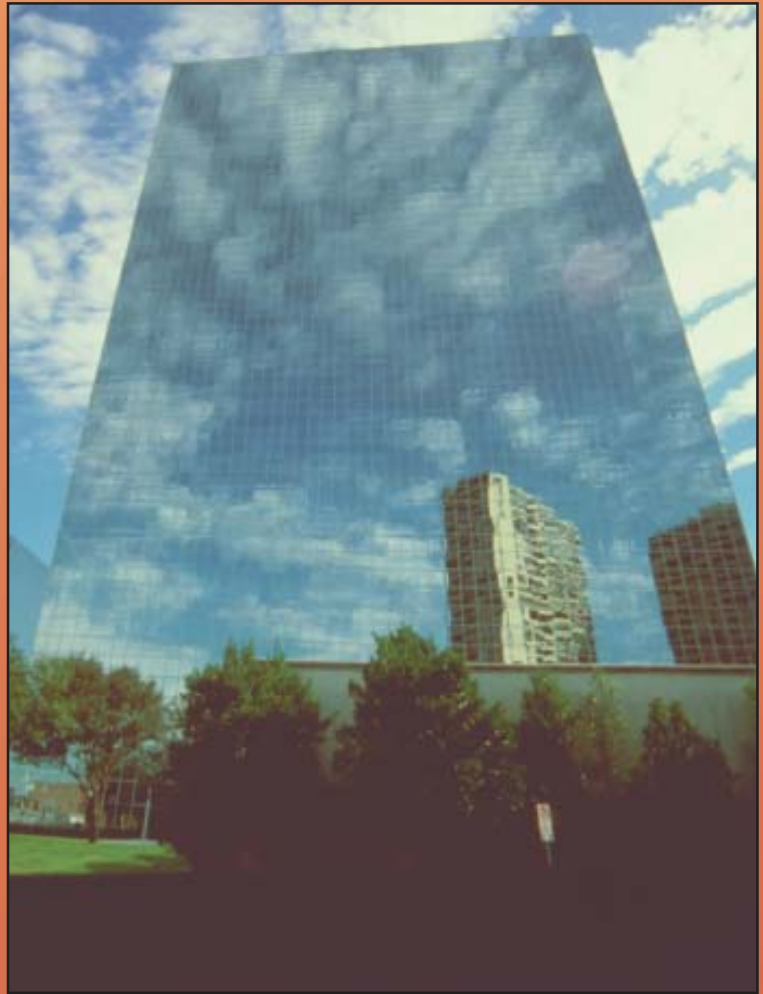
# WarmTrace™ Systems for Hot Water Temperature Maintenance

At the heart of every WarmTrace system are HSX® 2100 self-regulating cables. Developed specifically for maintaining hot water supply lines at nominal temperatures, HSX 2100 automatically compensates for variations in ambient and water temperatures. This “self-regulating” phenomenon occurs along the entire length of the heat-traced supply line to balance the heat output of the cable with the heat loss of the insulated pipe.

HSX 2100 is designed to be installed without thermostatic control for maintaining 105°F, 120°F or 140°F (41°C, 49°C or 60°C) water temperatures. When maintenance temperatures above 140°F (60°C) are needed, such as for dishwasher or laundry supply lines, contact Thermon for a specially designed WarmTrace system.

Taped directly to the hot water supply piping, HSX 2100 is installed with ordinary hand tools. A complete WarmTrace system will include kits for power connections, end terminations, in-line and T-splices plus other accessories to ensure a quick, easy and complete installation.

Because HSX 2100 is a cut-to-length cable, no detailed dimensions of the piping are required. Simply match the desired maintenance temperature with the corresponding color-coded cable and insulate per the design guide suggestions. Best of all, WarmTrace systems are backed by Thermon’s 50 years of experience in heat tracing design and manufacturing and are supported by Thermon’s worldwide network of representatives and service centers.



## A WarmTrace System Makes Sense . . .

### For the Engineer

- Reduces layout time compared to recirculation systems.
- Easily adapts to buildings with multiple temperature and/or pressure zones.
- Greater flexibility for buildings with complex designs.
- Excellent for retrofits or building additions.

### For the Contractor

- Faster and less expensive to install than a recirculation system.
- No callback to adjust system.
- Can complete a project in stages: occupancy may begin prior to final completion of facility.

### For the Owner

- Lower initial cost than a recirculation system.
- Lower operating costs than a recirculation system.
- No moving parts means no maintenance headaches.
- Reduces water waste by maintaining hot water at fixtures.

### Savings and Performance

Thermon WarmTrace systems were introduced in 1987 and continue to gain loyal supporters. References from hospitals, schools, correctional facilities and research laboratories can be provided, as can testimonials from architects, engineers and contractors.

### Designing a WarmTrace System

Thermon engineering and design expertise is available to assist customers in every aspect of a project, including piping takeoffs and electrical design requirements.

### WarmTrace Safety

WarmTrace systems are UL and CSA approved and conform to IEEE Standard 515.1, Recommended Practice for the Testing, Design, Installation, and Maintenance of Electrical Resistance Heat Tracing for Commercial Applications.

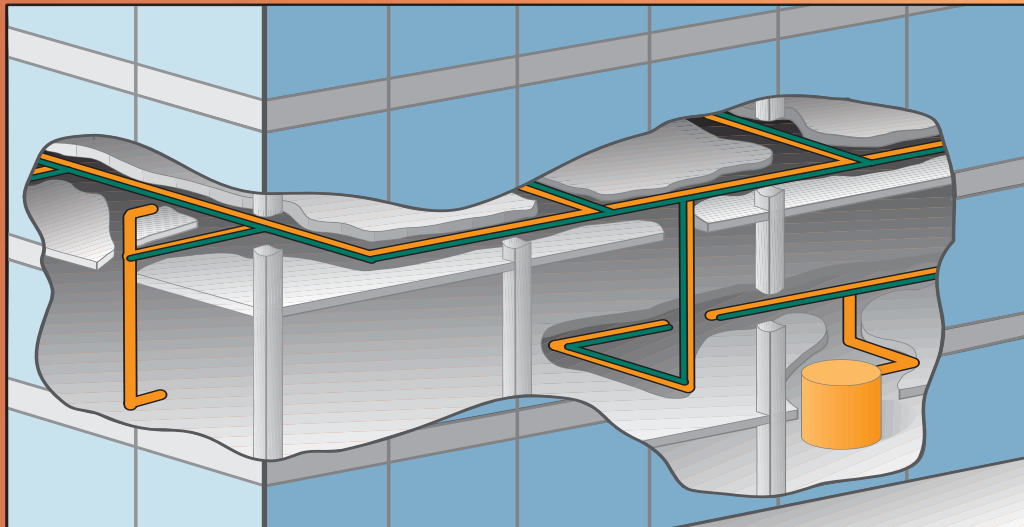
### WarmTrace Quality

Thermon was the first heat tracing company in North America to become ISO 9001 registered. This global quality standard is quickly taking hold in North America and is already considered necessary to conduct business in Europe.

ISO 9001  
REGISTERED

### Warm Pipe Warranty

Another unique aspect of the Thermon organization is the experience to design, supply, install, commission and maintain heat tracing systems. If Thermon provides a TurnKey system, including thermal insulation installation, not only will the products be warranted, but the system temperatures will also be covered . . . **Performance Guaranteed!**







## Other Products

Thermon offers additional cut-to-length cables or complete installation systems for the following applications:

- Snow and Ice Melting
- Pipe Heating
- Freezer Floor Frost Heave Protection
- Floor Warming
- Rail and Rail Switch Heating
- Tank and Hopper Heating
- Instrument Heating Systems
- Control and Monitoring Systems

**THERMON . . . The Heat Tracing Specialists®**

Corporate Headquarters  
100 Thermon Dr. PO Box 609 San Marcos, TX 78667-0609  
Phone: (512) 396-5801 Facsimile: (512) 754-2431 **1-800-730-HEAT**  
[www.thermon.com](http://www.thermon.com)

**ISO 9001**  
REGISTERED