

Terminator™ DS/DE

In-Line Splice/End Termination Kit

INSTALLATION PROCEDURES

For In-Line Splice Connection and
End Termination Applications



Terminator™ DS/DE

Receiving, Storing and Handling

1. Inspect materials for damage incurred during shipping.
2. Report damages to the carrier for settlement.
3. Identify parts against the packing list to ensure the proper type and quantity has been received.

Kit Contents



Item	Quantity	Description
1	1	Expediter Assembly Threaded Grommet Compressor Grommet Support Base with O-Ring
2	1	Splice Cap
3	1	Banding Guide
4	1	Banding

Order Separately

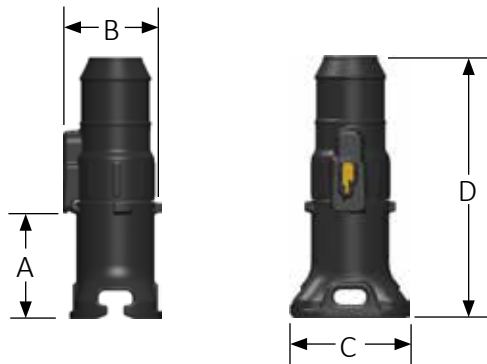
SCTK Splice Connection Termination Kits (per cable)

- SCTK-1D for BSX, RSX, VSX-HT
 SCTK-2D for KSX, HTSX, USX
 SCTK-3D for HPT, FP



Item	Quantity	Description
1	2	Splice Connection Boots
2	1	Large Wire Nut
3	2	Medium Wire Nuts
4	2	Small Wire Nuts
5	1	RTV Tube
6	1	GRW-G Grommet (SCTK-3D only)

Dimensions



	A	B	C	D
	inch (mm)	inch (mm)	inch (mm)	inch (mm)
Terminator DS/DE	3" (75mm)	3" (75mm)	3-1/2" (90mm)	7-3/4" (200mm)

Installation Precautions

- To minimize the potential for arcing and fire caused by product damage or improper installation use ground-fault protection. The National Electrical Code (NEC) and Canadian Electrical Code (CEC) require ground-fault protection of equipment for each branch circuit supplying electric heat tracing.
- Installation must comply with Thermon requirements and be installed in accordance with the NEC, CEC, or any other applicable national and local codes.
- Component approvals and performance ratings are based on the use of Thermon specified parts only. User supplied power connection fittings must be listed or certified for intended use.
- De-energize all power sources before opening enclosure.
- Keep ends of heating cable and kit components dry before and during installation.
- Individuals installing these products are responsible for complying with all applicable safety and health guidelines. Proper personal protective equipment, or PPE, should be utilized during installation. Contact Thermon if you have any additional questions.

Certifications/Approvals

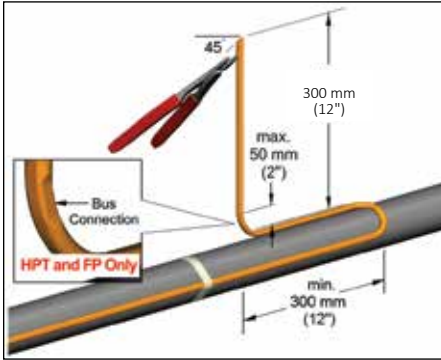


IP66/Type 4X -60°C ≤ Ta ≤ +55°C
 Ordinary & Hazardous Locations
 Class I, Division 2, Groups A, B, C, & D, Zone 2 IIC
 Class II, Division 2, Groups F & G, Class III
 Listed Heat Tracing Cable System 137M

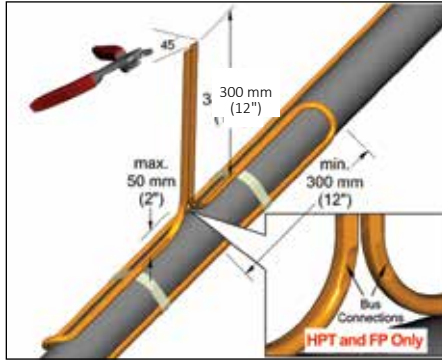
Tools Required



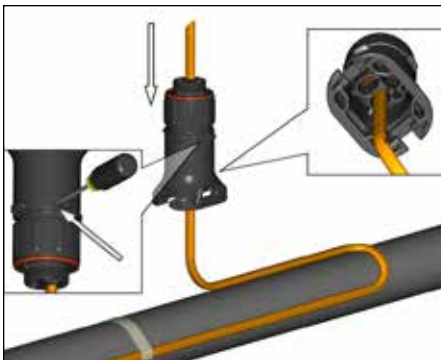
INSTALLATION PROCEDURES



1a. For one or two cables. Locate bus connection (HPT and FP only) and cable as shown. Cut end of cable at angle to aid in piercing grommet. Leave additional cable for expansion loop.



1b. Two cables.



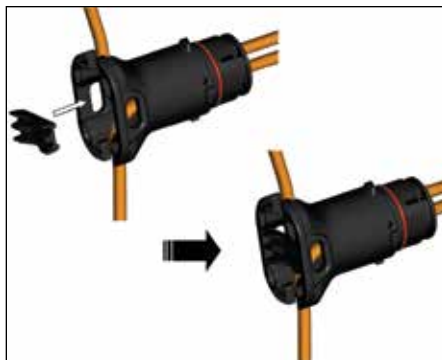
2a. For one or two cables. Insert cable into expediter. If mounted on bottom of pipe, punch out weep hole.



2b. Two cables.



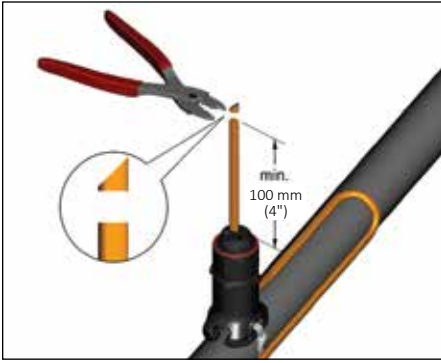
3. Slide expediter toward pipe and route cable through support base entry.



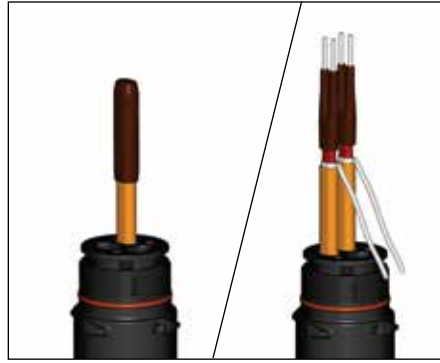
4. Insert banding guide into expediter and snap into place.



5. Mount expediter to pipe using pipe band. Do not band over cable.

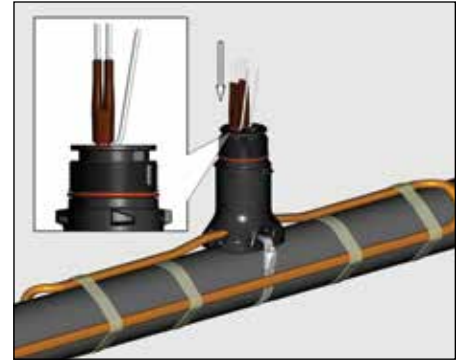


6. Cut off end of cable.



7. Terminate cable with appropriate PETK or SCTK termination kit. Refer to kit installation instructions.

PETK Kit for Power/End Terminations
SCTK Kit for Splice Connections



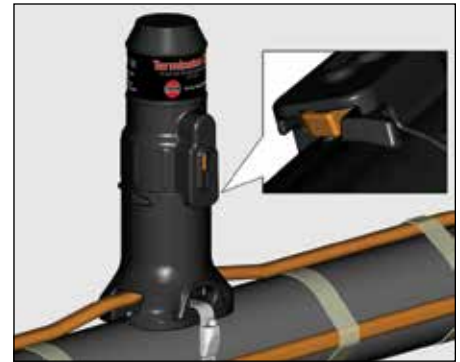
8. Push excess cable back through expediter. Tape cable expansion loop to pipe.



9. For splice connections: Connect bus wires using small wire nuts (for BSX, HTSX, KSX and USX) or medium wire nuts (for RSX, VSX-HT, HPT and FP). Connect braided wires using large wire nut. See wiring details for splice connections.



10. Tighten cap securely.

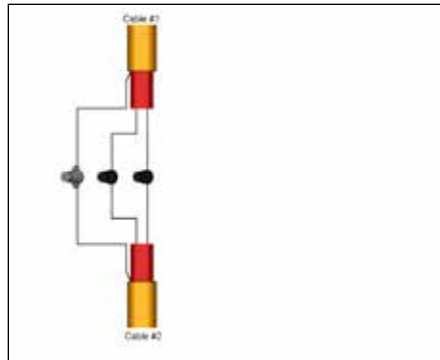


11. Completed splice/end kit. Make sure latch mechanism is in the locked position.

Wiring Details for Splice Connections



12. To remove cap, lift latch mechanism and unscrew cap.



In-Line Splice.

