



PRODUCT DATASHEET

E4X-25325 AND E7-25325

ADJUSTABLE CONTROL THERMOSTATS

APPLICATION

The E4X-25325 and E7-25325 are designed for use as adjustable control thermostats for freeze protection and temperature maintenance applications requiring pipewall or tankwall sensing.

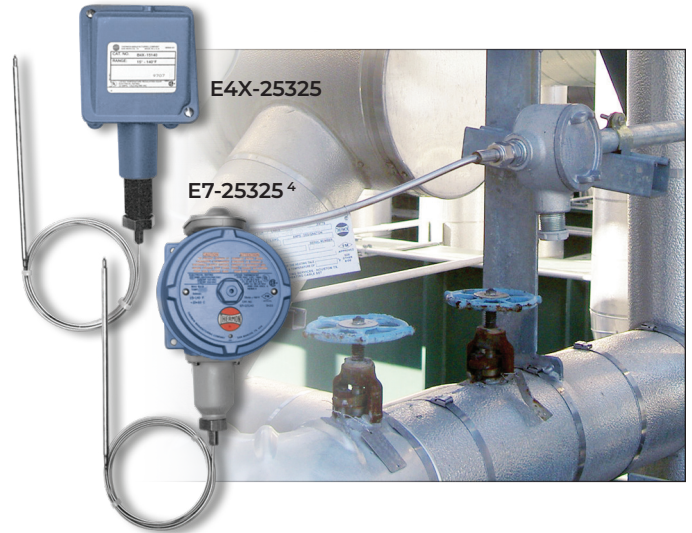
E4X-25325 An epoxy polyamide coated die-cast aluminum NEMA 4X enclosure provides watertight, dust tight and corrosion-resistant protection to the thermostat switch.

E7-25325 An aluminum lacquer finished die-cast aluminum enclosure provides NEMA 4X (water tight, dust tight, and corrosion resistant) and NEMA 7/NEMA 9 (explosion proof) protection to the thermostat switch. The tamper-resistant, threaded and gasketed aluminum dial cover is externally adjustable.

The E4X-25325 thermostat is approved for use in ordinary (nonclassified) locations. The E7-25325 is approved for use in both ordinary (nonclassified) and hazardous (classified) locations.

RATINGS

Voltage rating	125/250/480 Vac
Switch rating	22 amps
Switch type	SPDT ¹
Electrical connection	
E4X-25325 ²	screw terminals on switch
E7-25325 ³	terminal blocks
Adjustable control range 25°F to 325°F (-4°C to 163°C)	
Maximum control differential	7°F (3.9°C)
Setpoint repeatability	±3.5°F (1.9°C)
Maximum bulb exposure temperature. 650°F (343°C)	
Bulb dimensions	1/4" x 8-1/4" (6.4 x 210 mm)
Bulb material	stainless steel
Capillary length	10' (3 m)
Capillary material	stainless steel



CERTIFICATIONS/APPROVALS



Underwriters Laboratories Inc.
Ordinary Locations
Hazardous (Classified) Locations (E7-25325 only)
Class I, Divisions 1 & 2, Groups B, C and D
Class II, Divisions 1 & 2, Groups E, F and G
Class III, Divisions 1 and 2
Class I, Zone 1, Group IIB + H₂ T6



International Electrotechnical Commission
IEC Certification Scheme for Explosive Atmospheres
UL 09.0004X (E7-25325 only)⁵
Ex d IIC T6
Ex tD A21 IP66 T85°C⁶
-40°C ≤ T_{Amb} ≤ +75°C

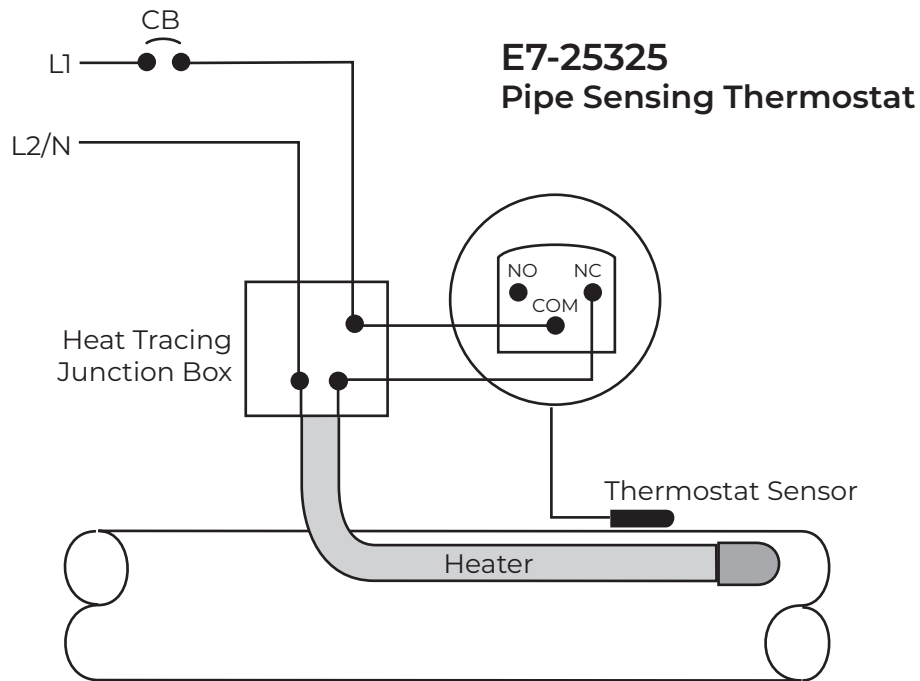
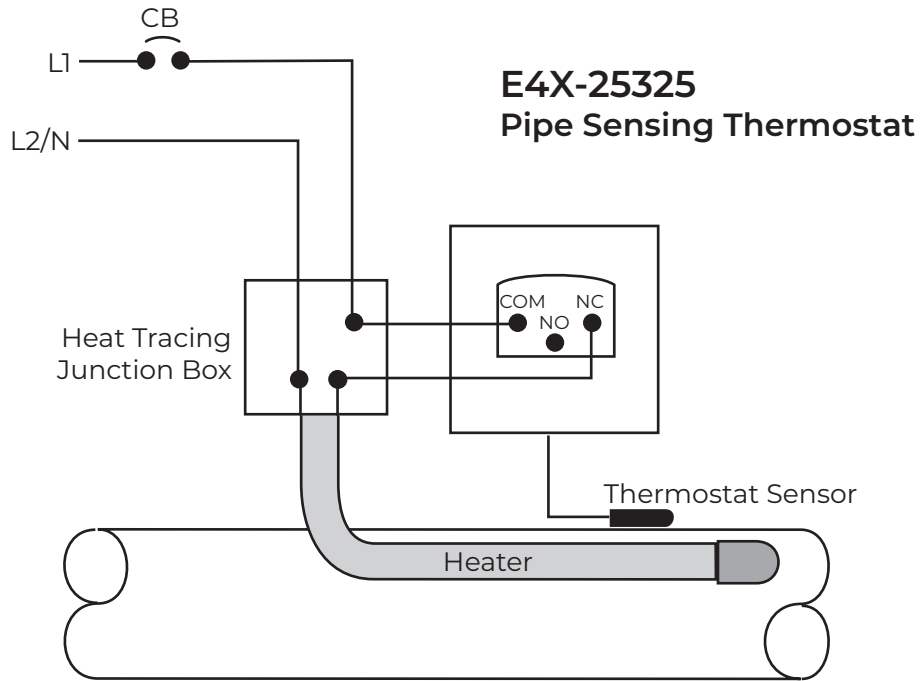
Notes

1. See back for typical wiring diagram.
2. The E4X-25325 utilizes a 1/2" NPT conduit hub with an internal grounding terminal. The external bonding terminal is not to be used as the primary equipment grounding terminal. The internal grounding terminal shall be used as the primary equipment grounding means and the external grounding terminal is only for a supplemental (secondary) bonding connection where local authorities permit or require such a connection.
3. The E7-25325 utilizes a 3/4" NPT conduit hub with an internal grounding terminal. The external bonding terminal is not to be used as the primary equipment grounding terminal. The internal grounding terminal shall be used as the primary equipment grounding means and the external grounding terminal is only for a supplemental (secondary) bonding connection where local authorities permit or require such a connection.
4. Date code format on nameplate is "YYWW" for year and week.
5. Zone hazardous locations flameproof gap and joint details. Activation plunger to guide through hole gap joints: 1.105" minimum length by 0.0030" maximum annular gap. Adjustment shaft to shaft through hole gap joints: 1.060" minimum length by 0.0030" maximum annular gap.
6. Plug is approved explosion-proof with the product as a full assembly, and does not carry individual markings.



PRODUCT DATASHEET
E4X-25325 AND E7-25325
ADJUSTABLE CONTROL THERMOSTATS

TYPICAL WIRING DIAGRAM¹



Note

1. The National Electrical Code, Article 427-56(b) states: "Temperature- controlled switching devices which do not have an "off" position shall not be required to open all ungrounded conductors and shall not be permitted to serve as the disconnecting means." The E4X/E7-25325 thermostats have no "off" position and therefore may be used for switching one conductor of a two-phase heating circuit.