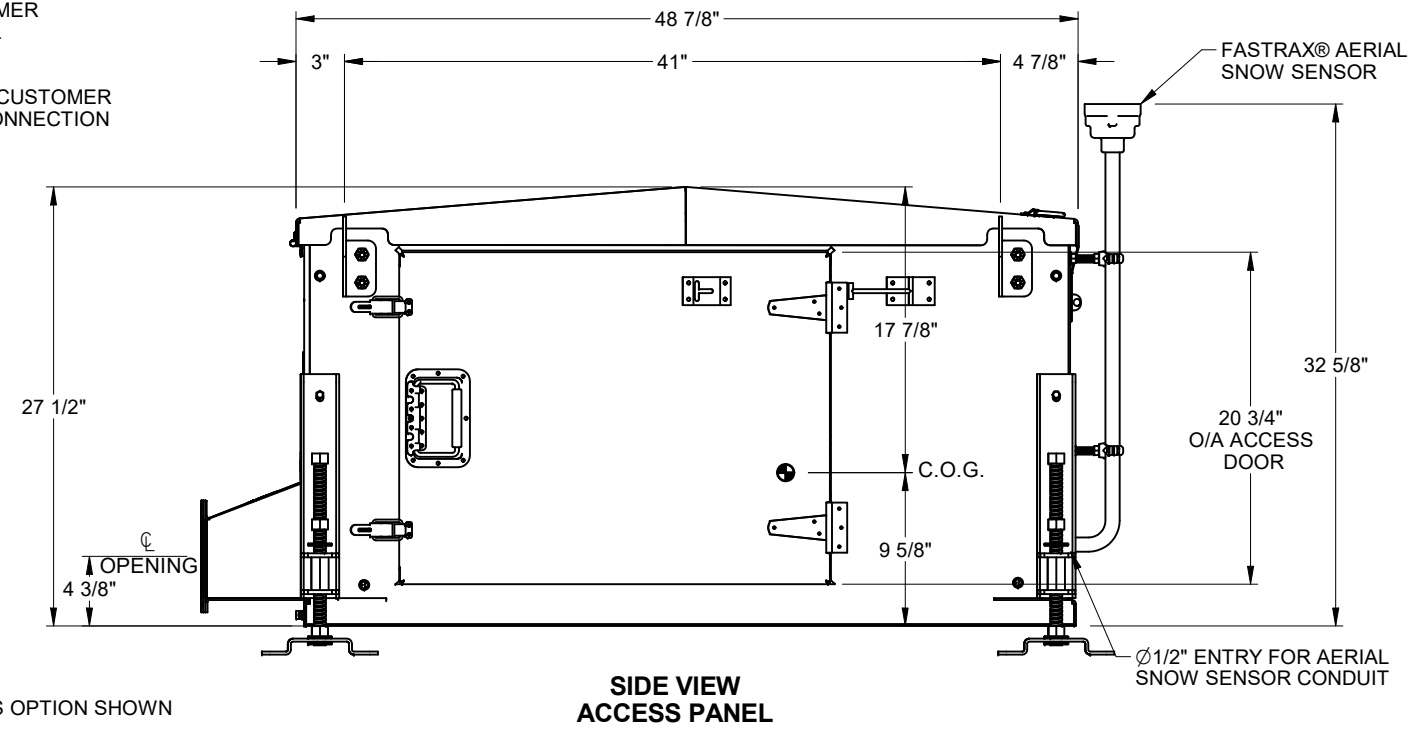
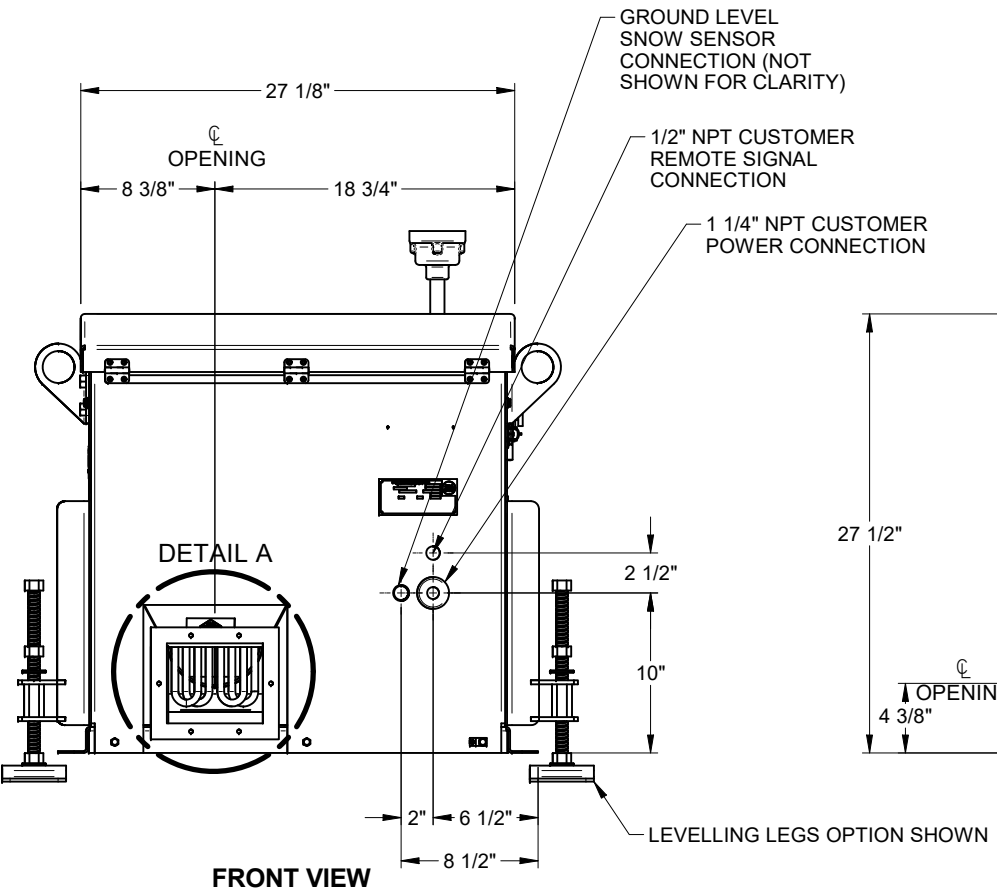
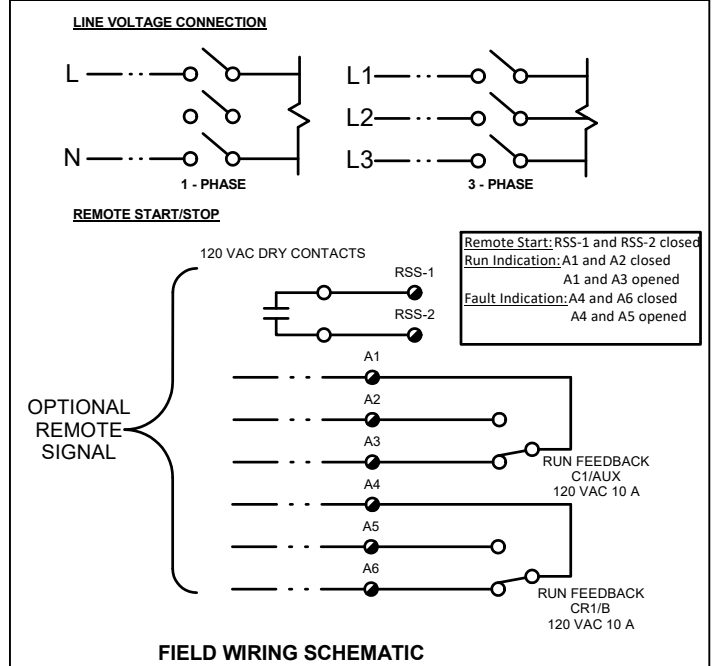
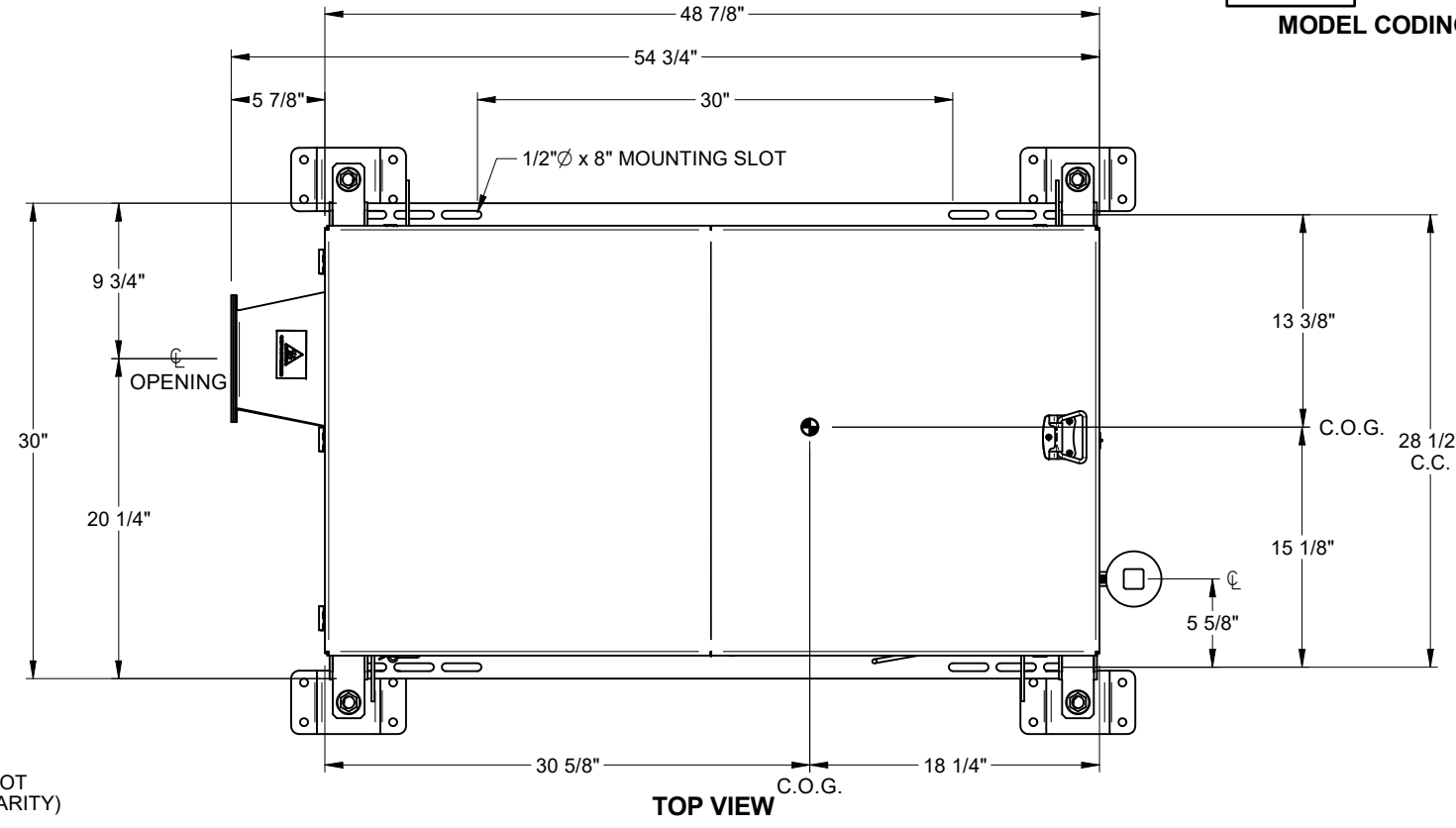
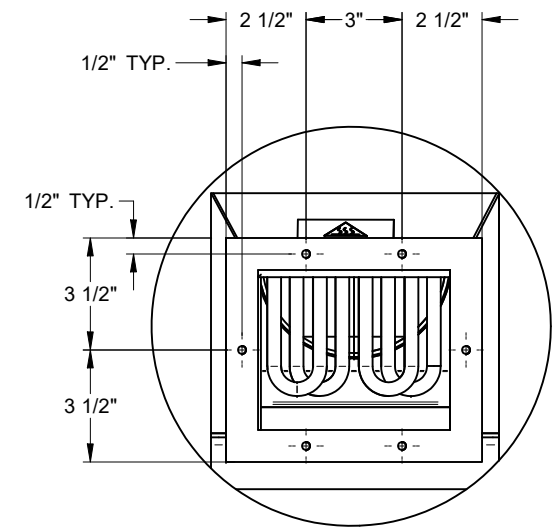
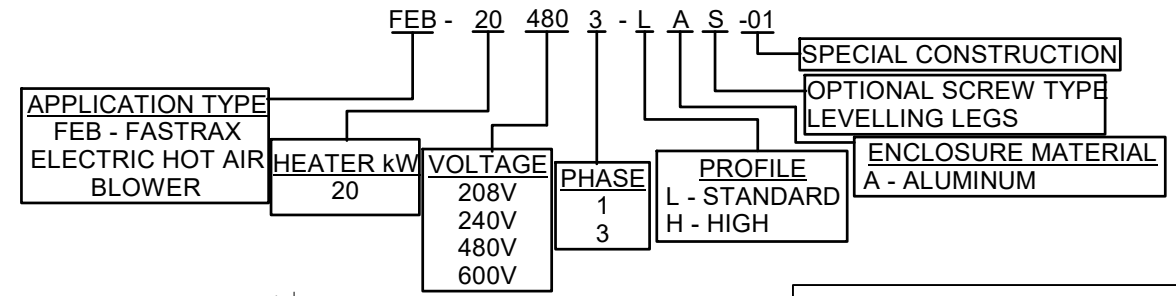


KW (BTU/HR)	VOLT	PH	TOTAL CURRENT	MIN. CIRCUIT	MAX. FUSE	WIRE SIZE	HORSE POWER	BASIC MODEL	HEATER PROFILE		OPTIONS
									LOW	HIGH	STAINLESS STEEL
20 (68,304)	208	3	68.5	85.6	90	3	3.00	FEB-202083	<input type="checkbox"/>	<input type="checkbox"/>	<input type="checkbox"/>
	240	1	102.4	128.0	130	1/0		FEB-202401	<input type="checkbox"/>	<input type="checkbox"/>	<input type="checkbox"/>
	240	3	59.8	74.7	75	4		FEB-202403	<input type="checkbox"/>	<input type="checkbox"/>	<input type="checkbox"/>
	480	1	51.2	64.0	70	4		FEB-204801	<input type="checkbox"/>	<input type="checkbox"/>	<input type="checkbox"/>
	480	3	29.9	37.4	40	8		FEB-204803	<input type="checkbox"/>	<input type="checkbox"/>	<input type="checkbox"/>
	600	3	24.0	30.0	35	8		FEB-206003	<input type="checkbox"/>	<input type="checkbox"/>	<input type="checkbox"/>

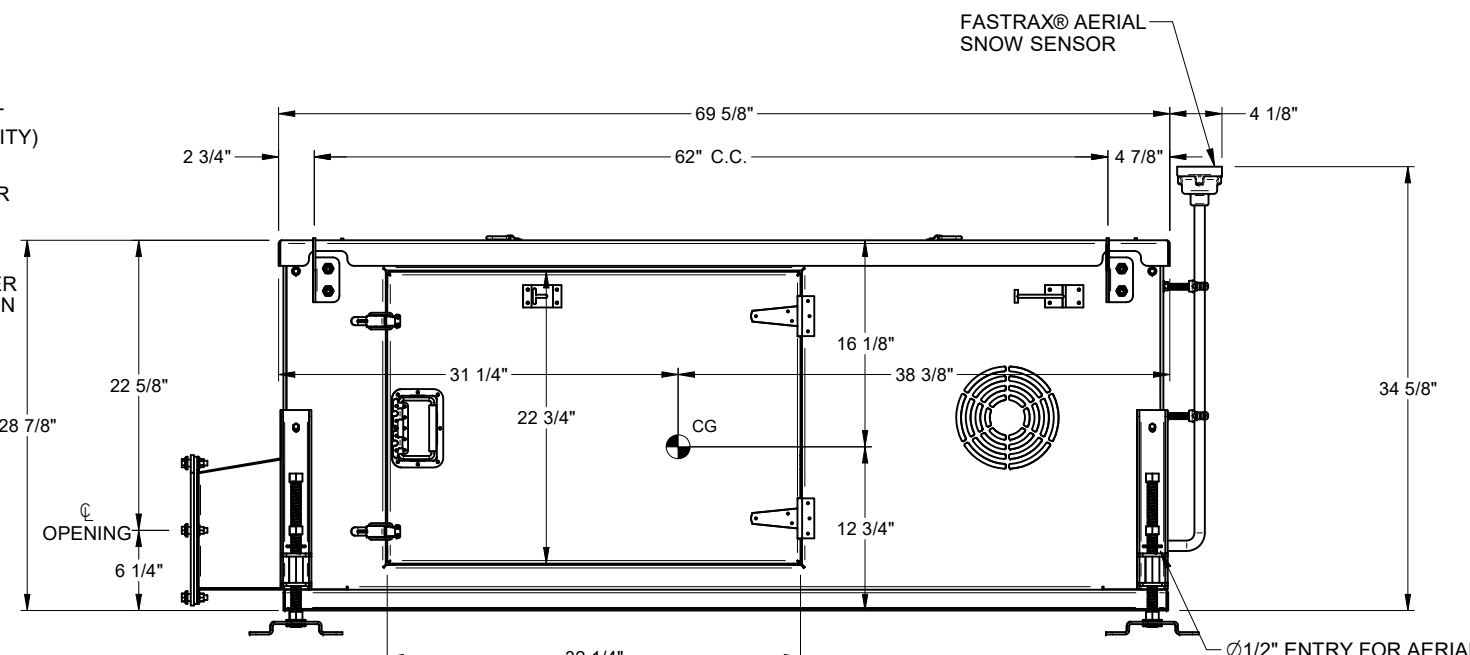
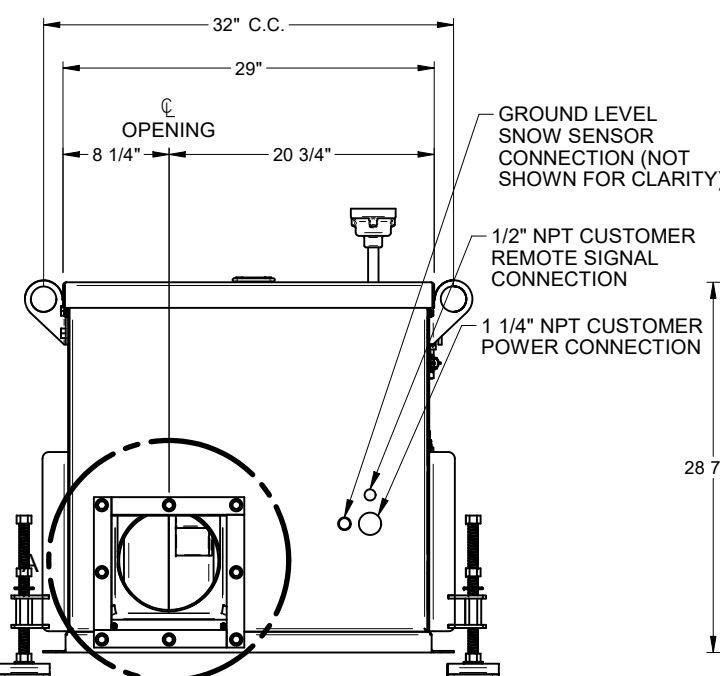
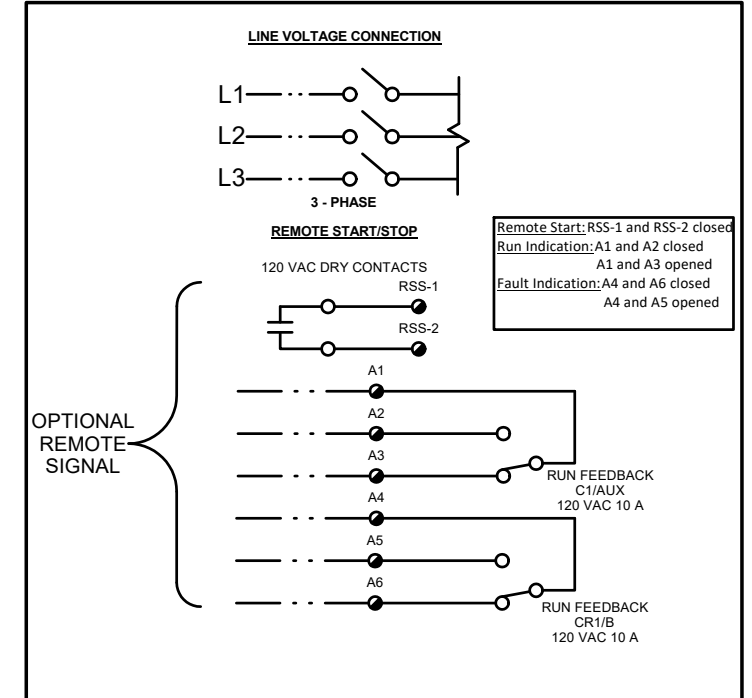
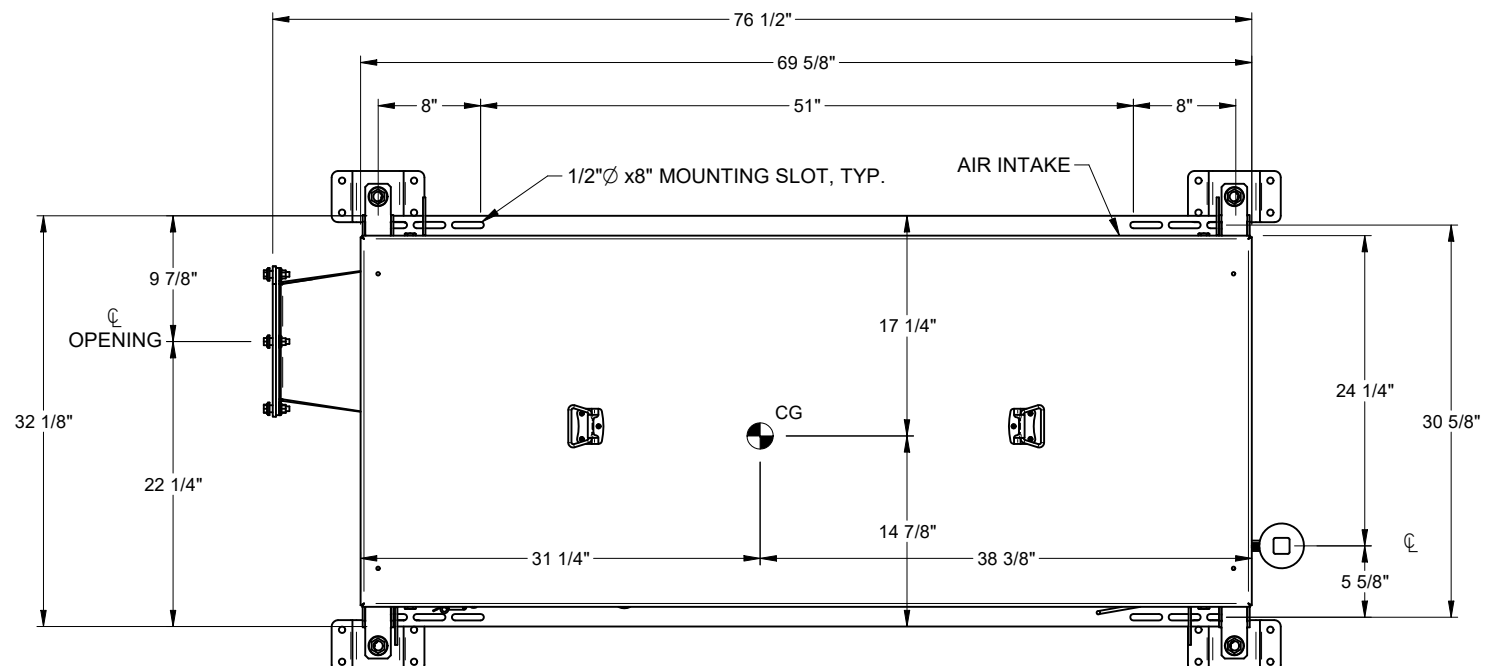
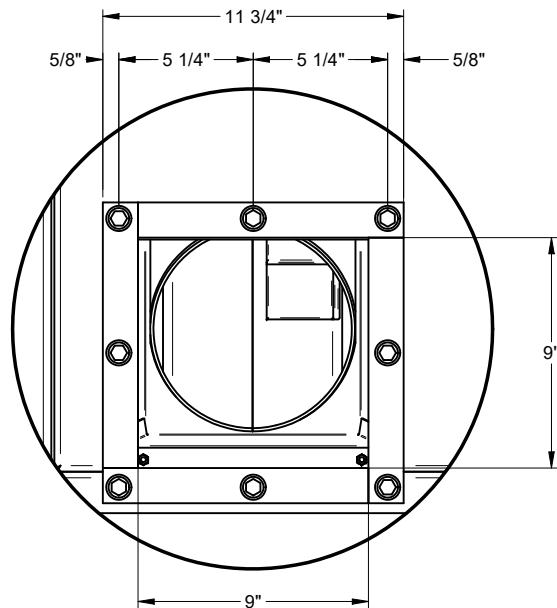
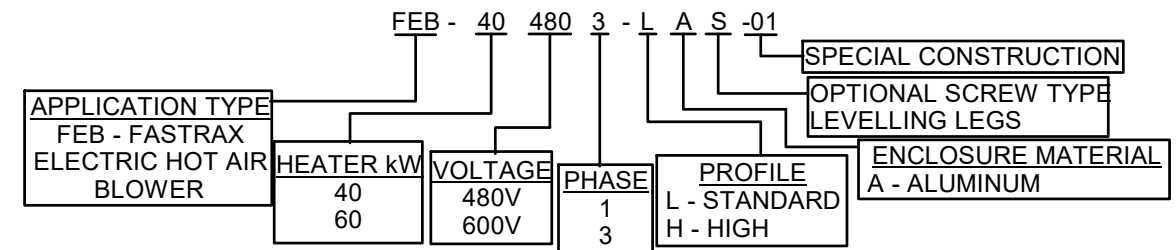


- NOTES:**
- MATERIAL: STANDARD PANELS, BRACKETS AND SUPPORTS: 8 Ga. ALUMINUM. HSS SUPPORT FRAME: 3 x 1" x 0.125" WALL ALUMINUM.
 - NET WEIGHT - 410 lbs (186.4 kg)
 - SHIPPING WEIGHT - 588 lbs (267.3 kg)
 - HEATER MUST BE ANCHORED SECURELY ON A LEVEL FOUNDATION, MIN. 6" ABOVE GRADE.
 - CONTROL PANEL, DUCT HEATER AND MOTOR RATED NEMA 4.
 - ALL DIMENSIONS IN INCHES, UNLESS OTHERWISE SPECIFIED.

REV.	REVISION DESCRIPTION	DATE	BY
TITLE: APPROVAL DWG, FASTRAX FEB, 20 kW HEATER			
DWG NO.: 51905	SHEET: 1 OF 1	TOLERANCE UNLESS NOTED OTHERWISE	
SYTILINE NO.:	SCALE: 1:12	± 1/32"	± 0.005"
DRN BY: GMillard	17 Nov 2015	± 1/8"	± 1 mm
CHK'D BY: LB		ANGULAR	DECIMAL
APP'D. BY: MAN		FRACTIONAL	METRIC



KW (BTU/HR)	VOLT	PH	TOTAL CURRENT	MIN. CIRCUIT	MAX. FUSE	WIRE SIZE	HORSE POWER	BASIC MODEL	HEATER PROFILE		OPTIONS
									LOW	HIGH	STAINLESS STEEL
40 (136,485)	480	1	99.8	120.2	130	1/0	7.50	FEB-404801	<input type="checkbox"/>	<input type="checkbox"/>	<input type="checkbox"/>
	480	3	56.8	70.9	75	4		FEB-404803	<input type="checkbox"/>	<input type="checkbox"/>	<input type="checkbox"/>
	600	3	45.4	56.8	60	4		FEB-406003	<input type="checkbox"/>	<input type="checkbox"/>	<input type="checkbox"/>
60 (204,911)	480	3	80.8	101.0	105	2		FEB-604803	<input type="checkbox"/>	<input type="checkbox"/>	<input type="checkbox"/>
	600	3	64.7	80.8	85	3		FEB-606003	<input type="checkbox"/>	<input type="checkbox"/>	<input type="checkbox"/>



- NOTES:**
- MATERIAL: STANDARD PANELS, BRACKETS AND SUPPORTS: 8 Ga. ALUMINUM. HSS SUPPORT FRAME: 3 x 1" x 0.125" WALL ALUMINUM.
 - NET WEIGHT: 40 kW: 565 lbs (256 kg)
60 kW: 599 lbs (272 kg)
 - SHIPPING WEIGHT: 40 kW: 765 lbs (345 kg)
60 kW: 799 lbs (362 kg)
 - HEATER MUST BE ANCHORED SECURELY ON A LEVEL FOUNDATION, MIN. 6" ABOVE GRADE.
 - CONTROL PANEL, DUCT HEATER AND MOTOR RATED NEMA 4.
 - ALL DIMENSIONS IN INCHES, UNLESS OTHERWISE SPECIFIED.

REV.	REVISION DESCRIPTION	DATE	BY
TITLE: APPROVAL DWG, FASTRAX FEB, 40 & 60 kW HEATER			
DWG NO. 51927		SHEET: 1 OF 1	
TOLERANCE UNLESS NOTED OTHERWISE			
± 1/32"	± 0.005"	± 1/16"	± 1 mm
ANGULAR	DECIMAL	FRACTIONAL	METRIC
SCALE: 1:15			
DRN BY: GMillard		08 Feb 2016	
CHK'D BY: LB			
APP'D. BY: MAN			

