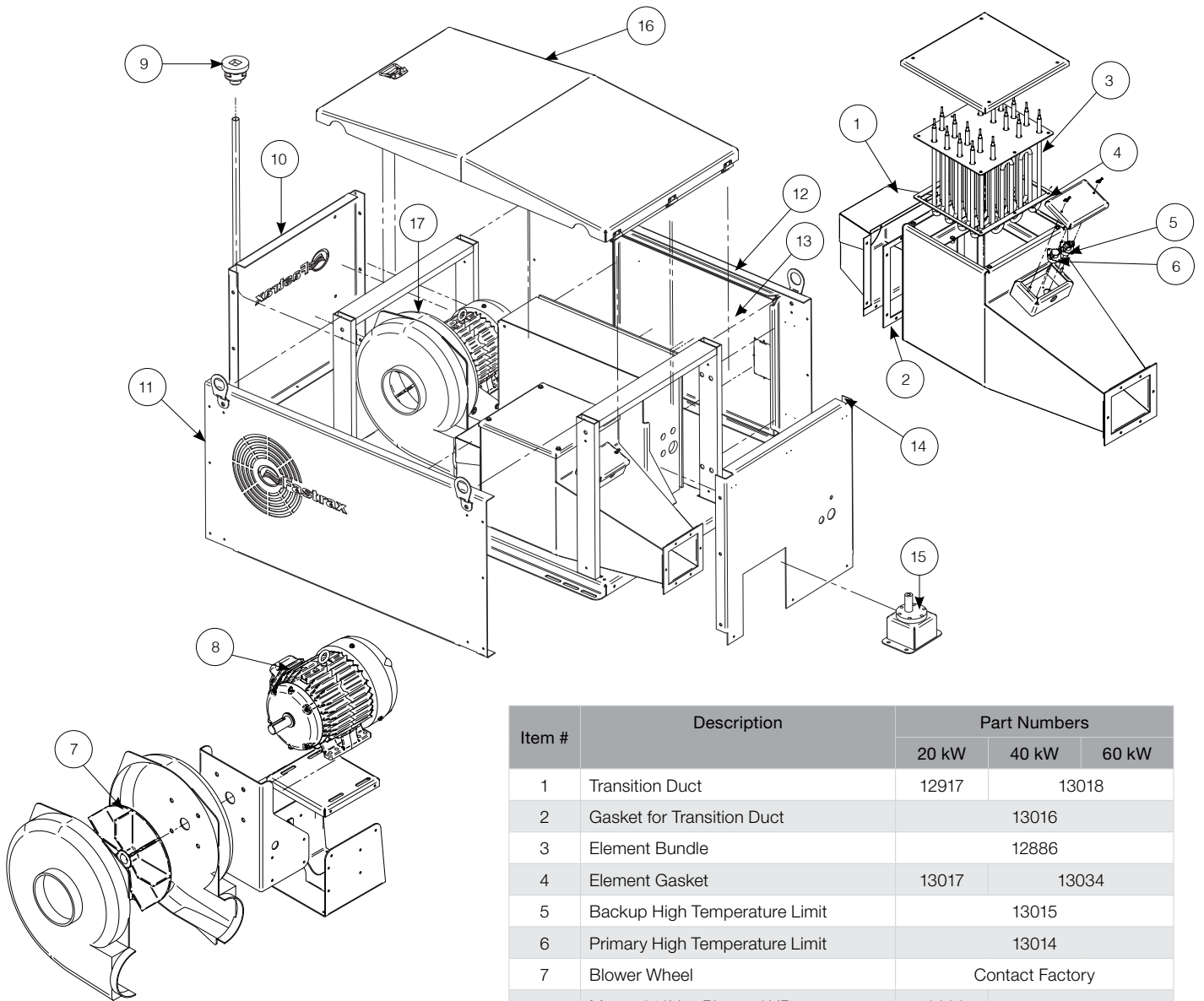


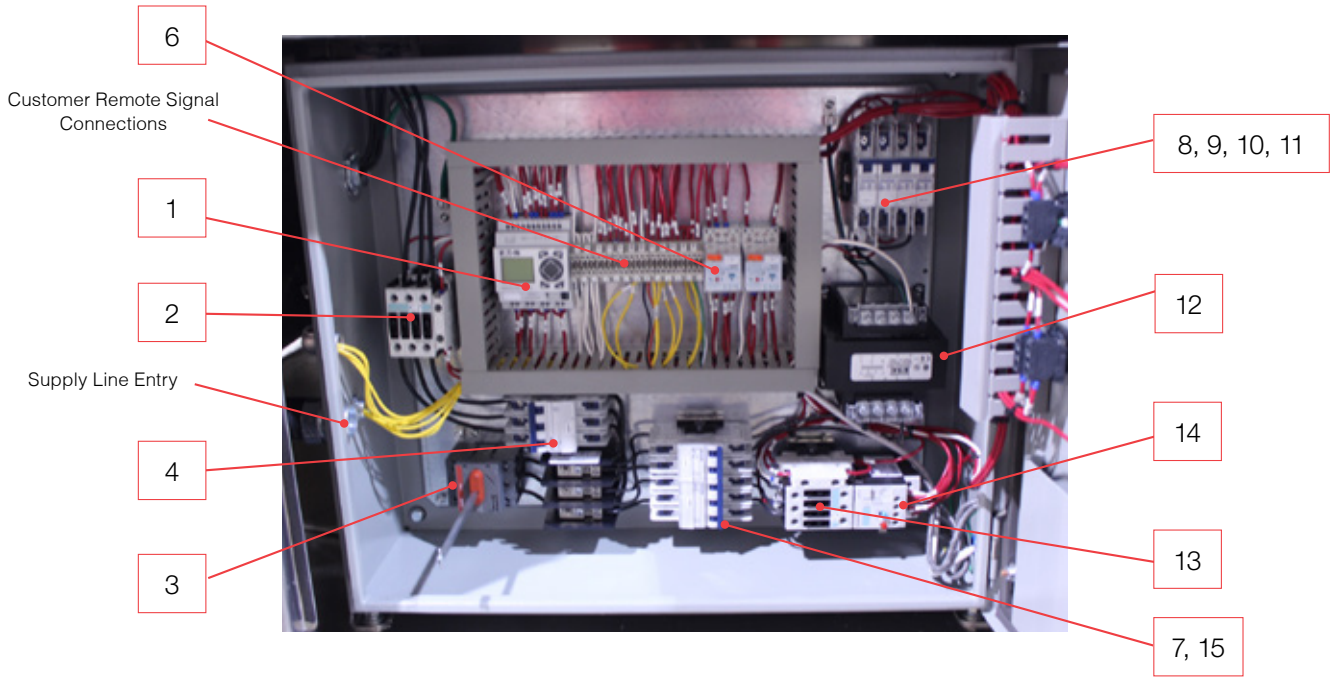
I. PART ASSEMBLY DIAGRAMS

I.1 Fastrax® FEB Electric Hot Air Blower Parts List



Item #	Description	Part Numbers		
		20 kW	40 kW	60 kW
1	Transition Duct	12917	13018	
2	Gasket for Transition Duct		13016	
3	Element Bundle		12886	
4	Element Gasket	13017	13034	
5	Backup High Temperature Limit		13015	
6	Primary High Temperature Limit		13014	
7	Blower Wheel	Contact Factory		
8	Motor, 240V, 1 Phase, 3HP	13008		
	240V, 3 Phase, 3HP	12901		
	480V, 1 Phase, 3HP	13009		
	480V, 3 Phase, 3HP	12901		
	575V, 3 Phase, 3HP	13010		
	480V, 3 Phase, 5HP			13012
	575V, 3 Phase, 5HP			13013
9	Aerial Snow Sensor		FAS1A	
10	Back Panel	12891	13019	
11	Air Intake Side Panel, Low Profile	12888	13020	
12	Side Panel, Control Panel	12889	13021	
13	Control Panel Access Door	12894	13022	
14	Front Panel	12892	13023	
15	Ground Snow Sensor		FGSP1A	
16	Top Panel, Hinged	12893	13024	
17	Blower Assembly	12890	13025	

I.2 Control Panel Parts List



Item #	Description	Part Numbers		
		20kW, 1 ph	20kW, 3 ph	40/60kW, 3 ph
1	Smart Relay	EASY719-AB-RC		
2	Duct Heater Contactor	3RT1045-1AK60	41NB30AF	
3	Disconnect Switch	OT160E3	OT63F3	OT160E3
4	Duct Heater Circuit Breaker	SU203M-C30		
5	Duct Heater Fuse*	A4J100		
6	Control Relay	RCP8002 120AC		
7	Control Transformer Primary Circuit Breaker	SU202M-C2		
8	Control Circuit Circuit Breaker – 120 V	SU201M-C2		
9	Control Circuit Circuit Breaker – 24 V	SU201M-C10		
10	Aerial Snow Sensor Circuit Breaker	SU201M-C2		
11	Ground Snow Sensor Circuit Breaker	SU201M-C3		
12	Control Transformer	TMW02502106XX		
13	Motor Contactor	41NB30AF		
14	Motor Overload Relay	3RU1126-4BBO	3RU1126-1EB0	
15	Motor Circuit Breaker	SU202M-C30	SU203M-C15	
16	Pilot Light White*	A13200-01		
17	Pilot Light Green*	A13200-03		
18	Pilot Light Red*	A13200-04		
19	Selector Switch*	ZA2BD2		
20	Push Button, Red*	ZA2BL4		

Note: Control circuit components may be substituted with other equivalent parts from factory.

*Not shown