



PRODUCT SPECIFICATIONS

# Tracer Cable Glands non-metallic

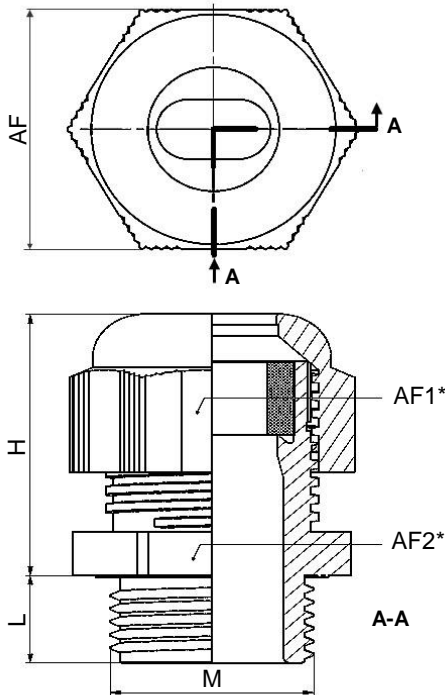
**APPLICATION**

These polyamide cable glands are used for inserting permanent circular and non-circular cables into the enclosure. The glands are certified for use in ordinary (nonclassified) areas and in potentially explosive atmospheres in accordance with the ATEX Directive and the IECEx Scheme.

**RATINGS / TECHNICAL DATA**

Protection Class.....IP66/IP68 (EN60529)

**DIMENSIONS**



\*AF= Width across flats

Item Name	Thread	L mm	H-max mm	AF1 mm	AF2 mm	Torque Value Nm	Seal Number	Ambient Temperature	Item Number	Cable
Trace Heat Gland M25-14-EXE (THERMON 14)	M25 x 1,5	10	30	24	27	4,5	FS2-13,5	-60°C to +80°C	452.001.014	HTSX, KSX, FP
Trace Heat Gland M25-18-EXE (THERMON 18)	M25 x 1,5	10	32	27	27	5,5	FS3-16	-60°C to +80°C	452.001.018	HPT, KSR
Trace Heat Gland M25-19-EXE (THERMON 19)	M25 x 1,5	10	37	33	33	8,0	FS1-21	-60°C to +80°C	452.001.019	BSX, FLX
Trace Heat Gland M25-20-EXE (THERMON 20)	M25 x 1,5	10	37	33	33	8,0	FS2-21	-60°C to +80°C	452.001.020	VSX, RSX
Power Gland M20 EXE + PT100 + TESH (8161 7-13)	M20 x 1,5	10	33	24	24	1,5	-	-60°C to +75°C	453.104.430	TESH, also for PT100 / Power



**CONSTRUCTION**

- Gland Body & Cap Nut.....Polyamide
- Sealing.....Silicon
- Color .....Black
- UV resistant

**CERTIFICATIONS / APPROVALS**


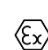


Tracer Glands M25-14 Ex, M25-18 Ex, M25-19 Ex, M25-20 Ex:




 IMQ 13ATEX025X  
 II 2 G Ex e IIC Gb  
 II 2 D Ex tb IIIC Db  


 International Electrotechnical Commission  
 IEC Certification Scheme for Explosive Atmospheres  
 IMQ13.008X

Tracer Gland M20 Ex:



 IMQ 14ATEX1008X  
 II 2 G Ex e IIC Gb  
 II 2 D Ex tb IIIC Db  


 International Electrotechnical Commission  
 IEC Certification Scheme for Explosive Atmospheres  
 PTB 14.0011X

**THERMON The Heat Tracing Specialists®**


 European Headquarters: Boezemweg 25 • PO Box 205 • 2640 AE Pijnacker • The Netherlands • Phone: +31 (0) 15-36 15 370  
 Corporate Headquarters: 100 Thermon Dr • PO Box 609 San Marcos, TX 78667-0609 • Phone: 512-396-5801 • 1-800-820-4328  
 For the Thermon office nearest you visit us at . . . [www.thermon.com](http://www.thermon.com)