

PDMP

Power Distribution and Monitoring Panel

Product Specifications

Application . . .

Power Distribution to Four Circuits

PDMP power distribution and monitoring panel is available for one to four circuits with voltage ratings of 120/240, or 277 Vac. The corrosion-resistant NEMA 4X nonmetallic junction box is hinged and lockable.

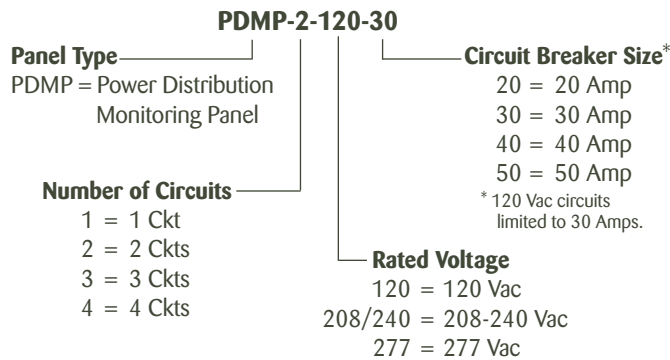
These panels can be custom designed to meet the specific requirements of an application, including circuit requirements, enclosure type, control and monitoring capabilities and specific agency approvals. Contact Thermon for complete information.

Ratings . . .

Control and monitoring capacity1-4 heat tracing circuits (up to 50 amps)
Module supply voltages 110-120, 208-240 or 277 Vac
Controlled output voltages 110-277 Vac
Module operating ambient-40°F to 140°F (-40°C to 60°C)
Maximum storage ambient 158°F (70°C)
Temperature input thermostat or electronic control
Enclosure dimensions (H x W x D)	
1 Ckt 16" x 14" x 8"
2 Ckts 20" x 16" x 10"
3-4 Ckts 24" x 24" x 12"
Ground leakage trip 30 mA

Product Reference Legend . . .

Example:



Description . . .

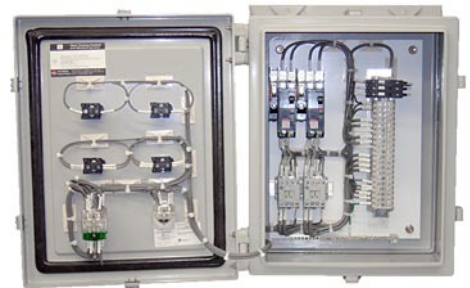
The PDMP power distribution and monitoring panel includes circuit breaker(s) with 30 mA ground-fault protection¹, contactor(s)², indicating lights, and hand/off/auto switch.

Notes . . .

1. The National Electrical Code and Canadian Electrical Code require ground-fault protection of equipment for each branch circuit supplying electric heating equipment. Check local codes for ground-fault protection requirements.
2. 120 Vac coil to be controlled by thermostat or electronic control.

Enclosures

The standard enclosure is a NEMA 4X fiber-glass-reinforced polyester with a hinged cover held in place with quick release latches.



PDMP mounted in a NEMA 4X FRP enclosure



Certifications/Approvals . . .



Factory Mutual Research
Ordinary Locations



Underwriters Laboratories Inc
Enclosed Industrial Control Panels

THERMON . . . The Heat Tracing Specialists®

ISO 9001
REGISTERED

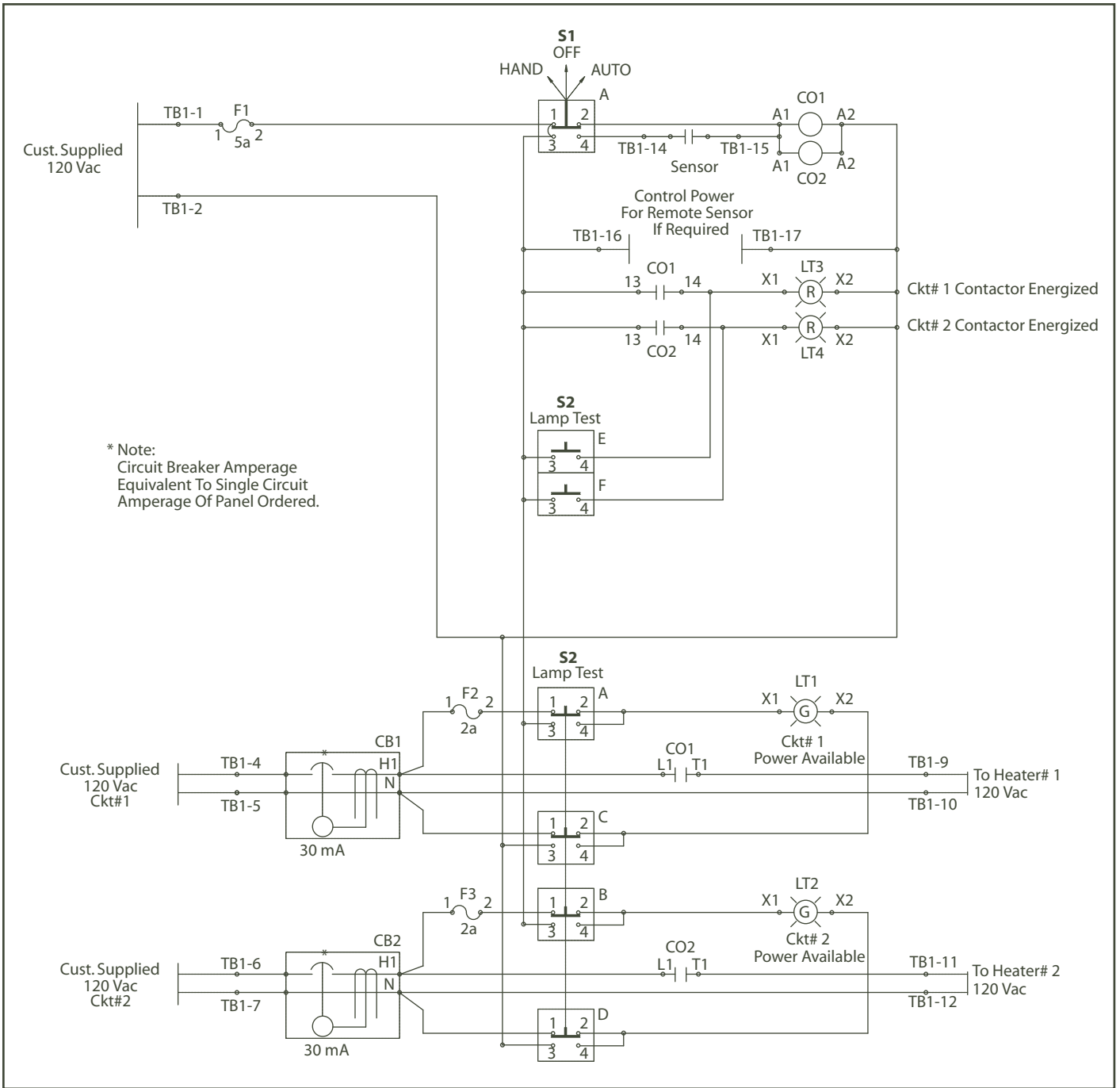
100 Thermon Dr. • PO Box 609 • San Marcos, TX 78667-0609
Phone: 512-396-5801 • Facsimile: 512-396-3627 • **1-800-820-HEAT**
www.thermon.com In Canada call **1-800-563-8461**

PDMP

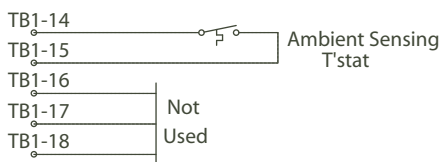
Power Distribution and Monitoring Panel

Product Specifications

Typical Wiring Diagram for 2 Circuit PDMP . .



Remote Ambient Sensor Wiring



Remote Snow Sensor Wiring

