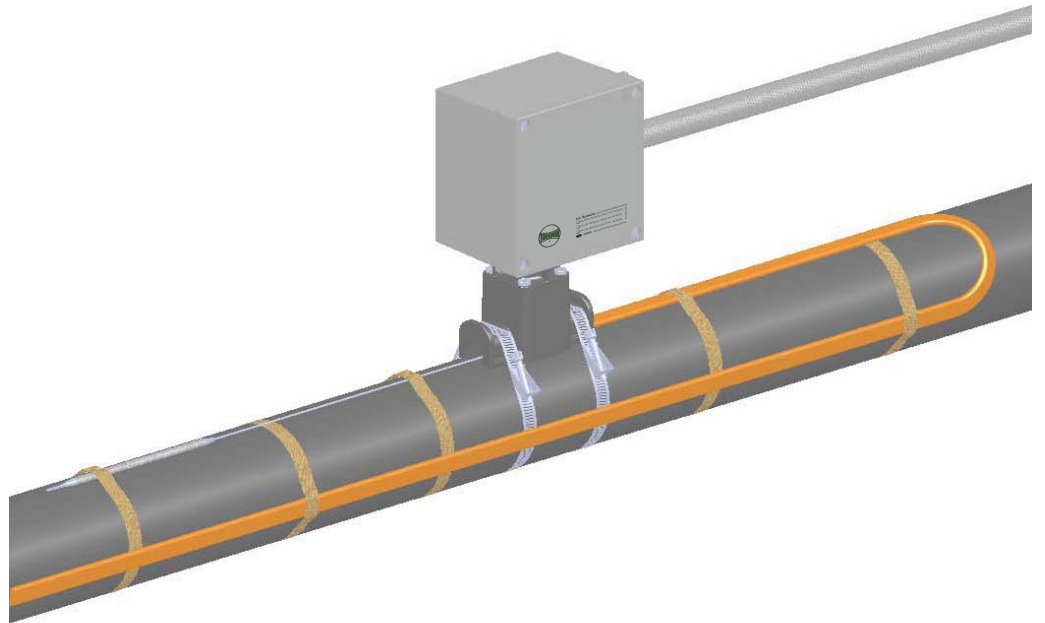


E4X-1

Pipe Mounted Thermostat Kit

INSTALLATION PROCEDURES



The Heat Tracing Specialists®

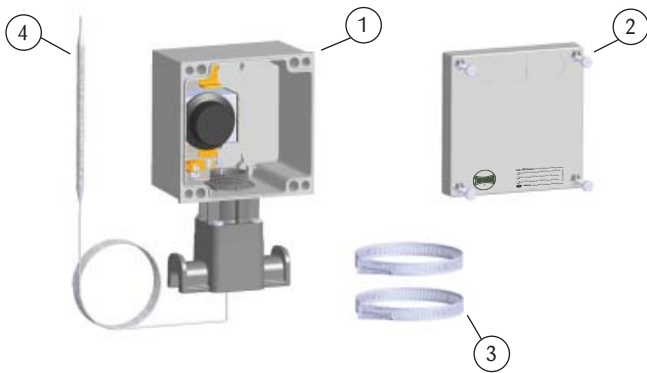
E4X-1

The following installation procedures are suggested guidelines for the installation of termination and connection systems.

Receiving, Storing and Handling . . .

1. Inspect materials for possible damage incurred during shipping.
2. Report any damages to the carrier for settlement.
3. Identify parts against the packing list to ensure the proper type and quantity has been received.
4. Store in dry location prior to installation.

Kit Contents . . .



Item	Quantity	Description
1	1	E4X-1 Kit Assembly
2	1	Junction Box Cover
3	2	Stainless Steel Pipe Band
4	1	Thermostat Sensor

Order Separately . . .

PETK Power and End Termination Kits (per cable)

PETK-1D for BSX, RSX, VSX

PETK-2D for KSX, HTSX

PETK-3D for HPT, FP



Item	Quantity	Description
1	1	RTV Tube
2	1	Power Connection Boot
3	1	End Cap
4	1	Tape Strip Teflon 6" (PETK-3D only)
5	1	End Termination Caution Label
6	1	GRW-G Grommet (PETK-3D only) (Not used with E4X-1)

INSTALLATION PROCEDURES

Installation Precautions . . .

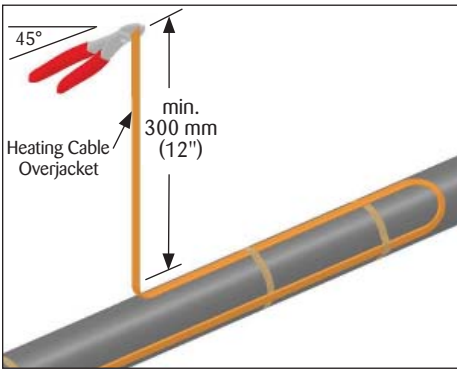
- To minimize the potential for arcing and fire caused by product damage or improper installation use ground-fault protection. The National Electrical Code (NEC) and Canadian Electrical Code (CEC) require ground-fault protection of equipment for each branch circuit supplying electric heat tracing.
- Installation must comply with Thermon requirements and be installed in accordance with the NEC, CEC, or any other applicable national and local codes.
- Component approvals and performance ratings are based on the use of Thermon specified parts only.
- De-energize all power sources before opening enclosure.
- Keep ends of heating cable and kit components dry before and during installation.
- Individuals installing these products are responsible for complying with all applicable safety and health guidelines. Proper personal protective equipment, or PPE, should be utilized during installation. Contact Thermon if you have any additional questions.

Tools Required . . .

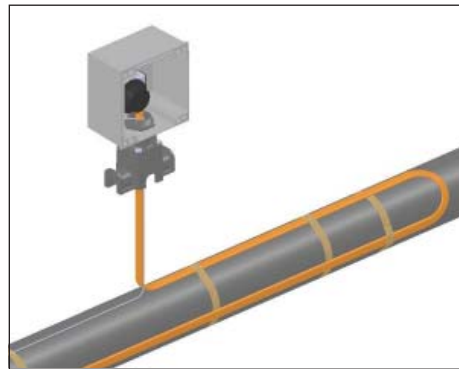


E4X-1

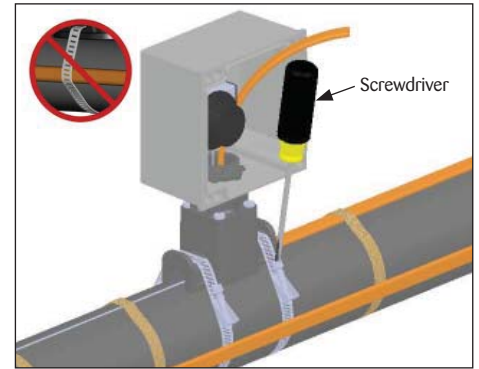
INSTALLATION PROCEDURES



1 Cut end of cable at angle to aid in piercing grommet.

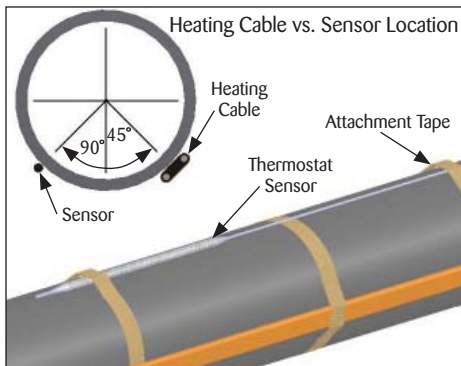


2 Insert cable into expediter piercing grommet. Slide expediter toward pipe.

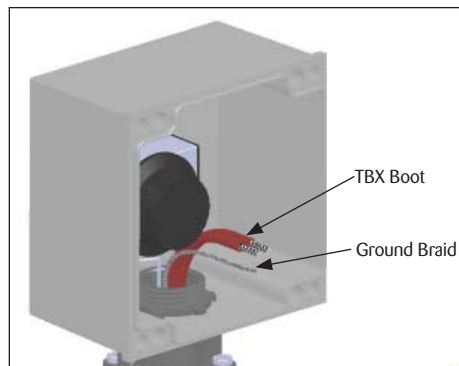


3 Mount expediter to pipe using banding.

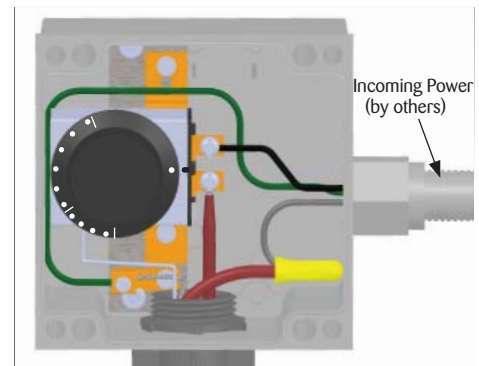
 **Do not band over cable.**



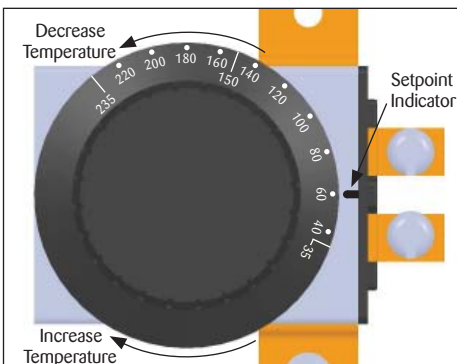
4 Secure thermostat sensor to pipe using attachment tape. Position thermostat sensor parallel to heating cable approximately 90° away from cable. See illustration showing heating cable vs. sensor location.



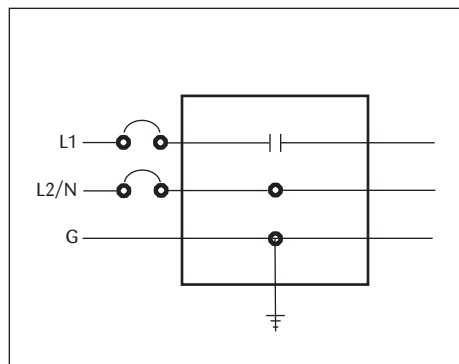
5 Terminate cable with appropriate PETK termination kit. Refer to PETK installation instructions.



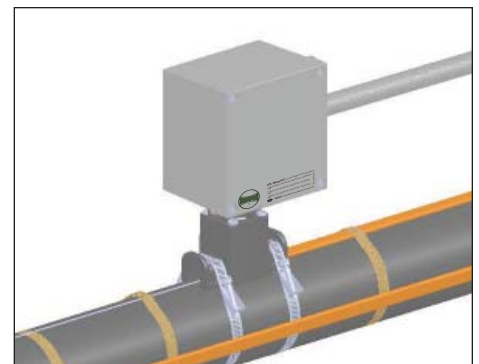
6 Connect incoming power (by others) and complete system wiring. See wiring schematic.



7 Turn thermostat dial clockwise to increase setpoint, and counter clockwise to decrease setpoint.



Wiring Schematic



8 Install junction box cover and tighten.



The Heat Tracing Specialists®



ISO 9001
REGISTERED

THERMON . . . The Heat Tracing Specialists®

100 Thermon Dr. • PO Box 609 • San Marcos, TX 78667-0609
Phone: 512-396-5801 • Facsimile: 512-396-3627 • **1-800-820-HEAT**
www.thermon.com In Canada call 1-800-563-8461

Specifications and information are subject to change without notice. Form 50024-0811

For the Thermon office nearest you
visit us at . . .
www.thermon.com