

**FAK-4: In-Line Splice Kit
Tubing Bundles**
INSTALLATION PROCEDURES



The Heat Tracing Specialists®

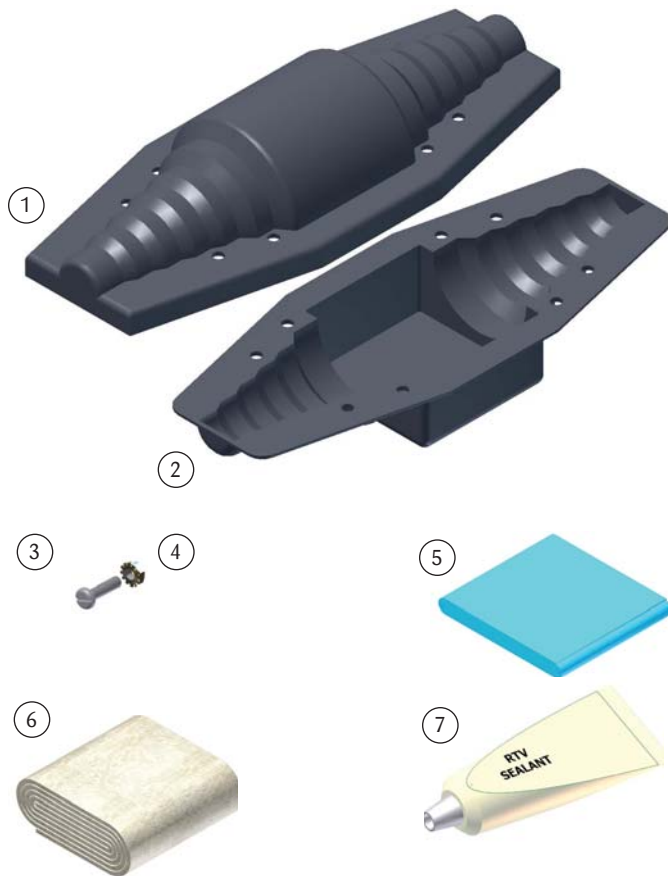
FAK-4: In-Line Splice

The following installation procedures are suggested guidelines for the installation of the FAK-4: In-Line Splice kit. They are not intended to preclude the use of other methods and good engineering or field construction practices.

Receiving, Storing and Handling . . .

1. Inspect materials for damage incurred during shipping.
2. Report damages to the carrier for settlement.
3. Identify parts against the packing list to ensure the proper type and quantity has been received.

FAK-4: In-Line Splice Kit . . .



FAK-4: In-Line Splice Kit Contents . . .

Item	Quantity	Description
1	1	In-Line Splice Cover (Top)
2	1	In-Line Splice Cover (Bottom)
3	8	Pan-Head S.S. Screws, #10-32 x .75
4	8	KEPT S.S. Nuts, #10-32
5	3'	Heat Reflective Tape, 1.75" Wide
6	3'	Glass Fiber Tape, 2" Wide
7	1	RTV Sealant Tube

INSTALLATION PROCEDURES

The FAK-4: In-Line Splice Kit is designed to make a waterproof seal over the end of TubeTrace or ThermoTube at the splice connections. Review FAK-4 Instructions prior to installation. Kit will make one splice connection. See separate instructions for details on splicing heating cables.

Installation Precautions . . .

- To minimize the potential for arcing on electric heat tracing and fire caused by product damage or improper installation use ground-fault protection. The National Electrical Code (NEC) and Canadian Electrical Code (CEC) require ground-fault protection of equipment for each branch circuit supplying electric heat tracing.
- Installation must comply with Thermon requirements and be installed in accordance with the NEC, CEC, or any other applicable national and local codes.
- Component approvals and performance ratings are based on the use of Thermon specified parts only. User supplied power connection fittings must be listed or certified for intended use.
- De-energize all power sources before opening enclosure.
- Keep ends of bundles, heating cable and kit components dry before and during installation.

Tools Required . . .



Hacksaw



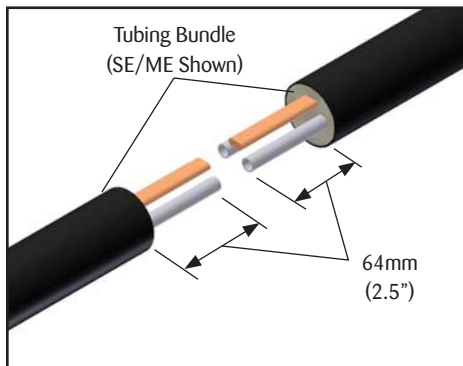
Screwdriver



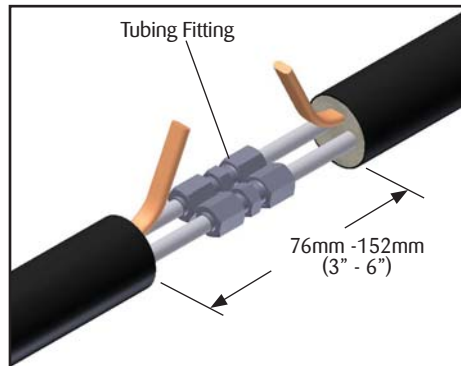
The Heat Tracing Specialists®

FAK-4: In-Line Splice

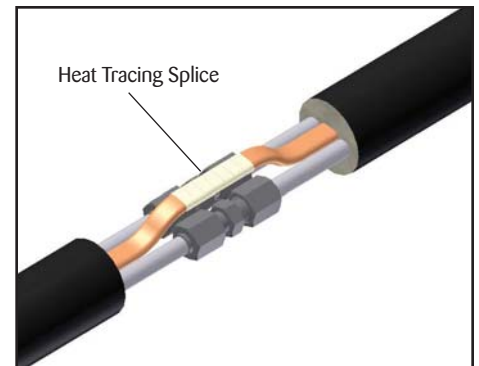
INSTALLATION PROCEDURES



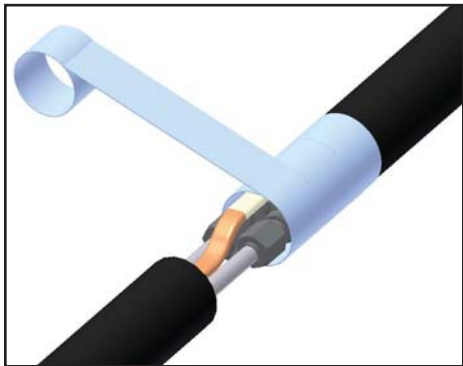
1. Remove outer jacket and insulation from tubing bundle approximately 64mm (2.5") from end of the tubing bundle. Where required ensure sufficient heat trace is available for electrical splice. See instructions included with heat trace kit.



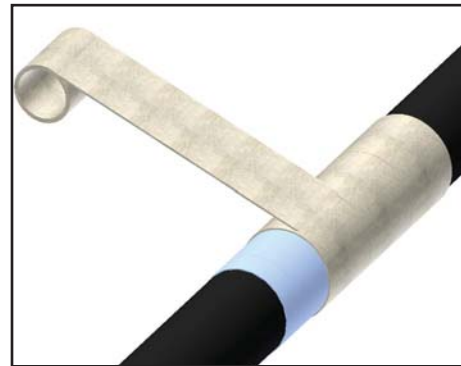
2. Make tube fitting connections with appropriate fittings, provided by others.



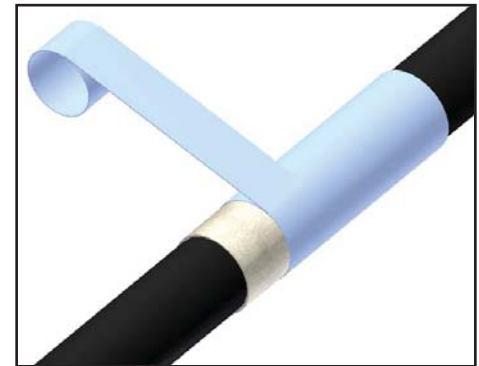
3. If bundle includes electric heat trace, make-up splice per instruction included with heat trace kit. This should be accomplished after fittings are leak tested.



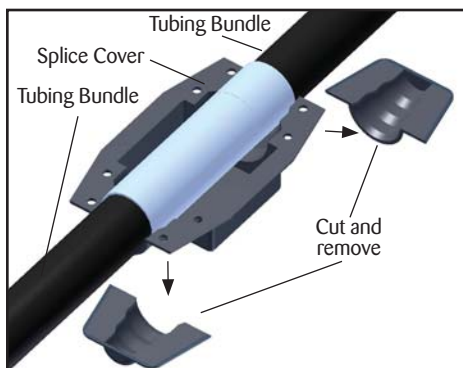
4. Wrap tube(s) and heat trace with 1 pass of reflective tape (25% overlap).



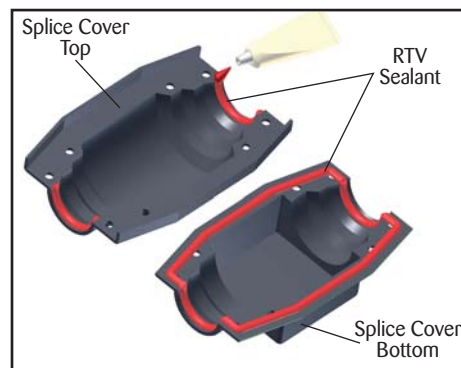
5. Wrap with 3 passes of glass fiber tape (50% overlap).



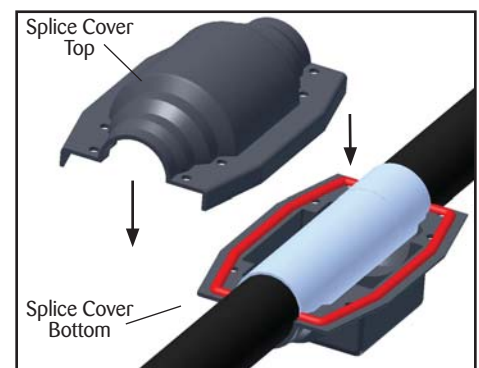
6. Complete with addition passes of heat reflective tape.



7. Cut splice cover ends to match outside diameter of tubing bundle.



8. Form a gasket by applying RTV sealant to bottom half of splice cover and along radius of upper half.



9. Fit tubing bundle to bottom half of cover and install top half. Screw down firmly. Inspect ends of tubing splice cover for snug fit. Apply addition RTV sealant where needed.



ISO 9001
REGISTERED

THERMON . . . The Heat Tracing Specialists®

100 Thermon Dr. • PO Box 609 • San Marcos, TX 78667-0609
Phone: 512-396-5801 • Facsimile: 512-396-3627 • **1-800-820-HEAT**
www.thermon.com In Canada call **1-800-563-8461**

Specifications and information subject to change without notice.

Form 50045-0107