

Genesis Duo™

Dual-Point Control & Monitoring Solution



INSTALLATION GUIDE

Version History

Version	Comments	Document Number
V1.0	Base version of the Genesis Duo Installation Guide	PN50900_0324

CONTENTS

I	INTRODUCTION	4
II	AUDIENCE	4
III	INSTALLATION PRECAUTIONS	4
IV	PRODUCT DETAILS	4
	1. Product Description	4
	2. Technical Specifications	4
	3. Product Models	4
	4. Certifications/Approvals	4
V	PREPARING THE DUO FOR INSTALLATION	5
	1. Receiving, Storing & Handling	5
	2. Tools Required	5
	3. Unpacking Contents	6
	4. Open the Duo Cover	6
	5. Remove the Terminal Block	6
	6. Install the Cable Glands	7
	7. Make Jumper Connections on Terminal Block	7
VI	DUO INSTALLATION PROCEDURE	8
	1. Mounting Assembly	8
	a. Pipe Mount	8
	b. Wall Mount	11
	2. Wiring Connections	11
	a. RTD Wiring	11
	b. Alarm wiring	11
	c. Heater wiring	12
	d. Power Wiring	12
	3. Secure the Terminal Block	12
	4. Close and Lock the Duo Cover	13
	5. Power	13
	6. Genesis Duo Controller Settings	14
	APPENDIX A	15

I INTRODUCTION

This guide provides a detailed step-by-step installation procedure to install, set-up and configure **Genesis Duo**. This guide is in English. For local language translation version, please contact your local sales representative.

II AUDIENCE

The information in this guide is intended for engineers and technicians qualified for the installation and programming of heat trace controllers. You should have certified technician skills or have a background:

- To carry out electrical system installations
- Basic understanding of electrical and electronic systems
- Experience installing Heat Trace Systems
- Basic understanding of the working of heat trace controller and configuration settings
- Usage of mechanical tools

III INSTALLATION PRECAUTIONS

1. To minimize the potential for arcing and fire caused by product damage or improper installation use ground-fault protection. The National Electrical Code (NEC) and Canadian Electrical Code (CEC) require ground-fault protection of equipment for each branch circuit supplying electric heat tracing.
2. Installation must comply with Thermon requirements and be installed in accordance with the NEC, CEC, or any other applicable national and local codes.
3. Component approvals and performance ratings are based on the use of Thermon specified parts only. User supplied power connection fittings must be listed or certified for intended use.
4. De-energize all power sources before opening the enclosure.
5. Keep ends of heating cable and kit components dry before and during installation.
6. Individuals installing these products are responsible for complying with all applicable safety and health guidelines. Proper personal protective equipment, or PPE, should be utilized during installation. Contact Thermon if you have any additional questions.

IV PRODUCT DETAILS

1. Product Description

Genesis Duo is a dual-point control and monitoring solution for heat tracing applications. It is used to control heat trace in freeze protection and process control application and communicate status to other platforms via wired and/or wireless communication interfaces on-board.





2. Technical Specifications

Environmental Characteristics:			
Operating Temperature:	Ta = -40°C ≤ Ta ≤ +60°C		
Module relative humidity range:	0 to 90% Non-Condensing		
Maximum Altitude	2000m		
Installation Category	Category II		
Pollution degree	2		
Overvoltage Category	Category III		
Usage locations	Indoor and Outdoor		
Usage in Wet Condition	Yes		
Power Specifications:			
Input Voltage Rating:	100-277VAC, ±10%, 50-60Hz, switching power supply module supplies control hardware		
Input Power Rating:	55 Watts Max		
Relay Rated Current:	30A for ambient less than 55°C, 25A for ambient between 55°C and 60°C		
Short Circuit Current:	3.15 Amps		
Particulars:			
Classification of installation and Use:	Stationary		
Communication Interfaces:			
10/100 Ethernet	1x	802.15.4 Radio	1x
USB Host	1x	Wi-Fi Radio	1x (802.11 b/g/n)
RS-485 Full Duplex	1x		

3. Product Models

Part Number	Model Code	Description
816011	GN-D-S-S-T-C-Z-XP	Genesis Duo w/LCD, Current Monitoring (2 SSR) + Pipe Mount Kit
816012	GN-D-S-S-T-C-Z-WP	Genesis Duo w/LCD, Current Monitoring (2 SSR) + Wall Mount Kit
816021	GN-D-M-M-0-0-Z-XP	Genesis Duo w/o LCD (2 Mechanical) + Pipe Mount Kit
816022	GN-D-M-M-0-0-Z-WP	Genesis Duo w/o LCD (2 Mechanical) + Wall Mount Kit
816051	GN-D-S-S-0-C-Z-XP	Genesis Duo w/o LCD, Current Monitoring (2 SSR) + Pipe mount Kit
816052	GN-D-S-S-0-C-Z-WP	Genesis Duo w/o LCD, Current Monitoring (2 SSR) + Wall mount Kit

4. Certifications/Approvals

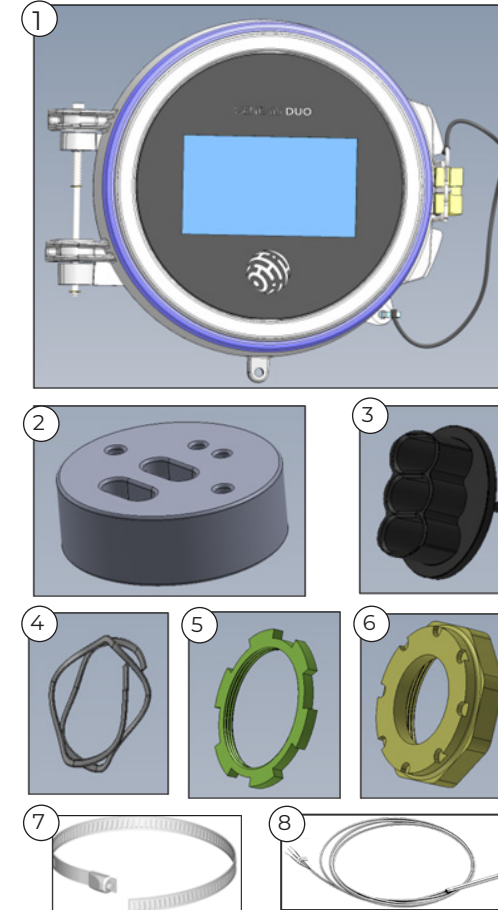
	-40°C ≤ Tamb ≤ +60°C; IP66 Class I, Zone 2, AEx/Ex ec mc nC [ib Gb] IIC T4 Gc
	Zone 22, AEx/Ex tc IIIC T135°C Class I, Division 2, Groups A, B, C, D; T4 Class II, Division 2, Groups FG; Class III; T135°C
	Ex ec mc nC [ib Gb] IIC T4 Gc Ex tc IIIC T135°C Dc
	II 3(2) G Ex ec mc nC [ib Gb] IIC T4 Gc II 3 D Ex tc IIIC 135°C Dc

V PREPARING THE DUO FOR INSTALLATION

1. Receiving, Storing and Handling

- a. Identify parts against your packing list to ensure the proper type and quantity has been received.
- b. Inspect materials for damage incurred during shipping.
- c. Report damages to the carrier for settlement

Kit Contents

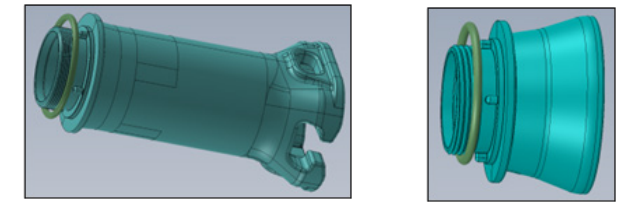


Item	Quantity	Description
1	1	Genesis Duo Unit
2	1	Grommet
3	1	Cable Guide
4	1	Wave Spring
5	1	Lock Ring (2.25")
6	1	Lock nut (2.26")
7	1	B-10 Metal banding
8	Not included	3-Wire RTD(s) - Order separately

Notes:

- 1 - The Duo unit may or may not have a graphical display depending on your unit's model code.
- 2 - The Duo unit with mechanical relays will not have a heat sink. The form factor will be different for that model.
- 3 - The actual grommet you order and use will depend on the type of heat trace cable you plan to use in your installation. Refer to [Appendix A](#)

Pipe Mount or Wall Mount Expediter Kit

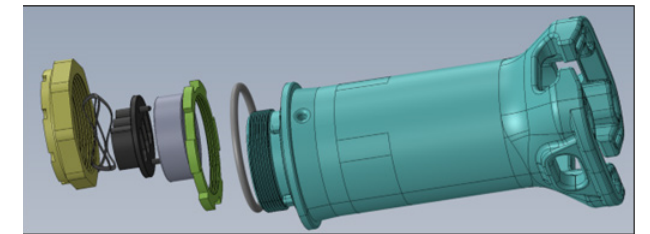


Pipe Mount Expediter (with O-Ring) Wall Mount Expediter (with O-Ring)

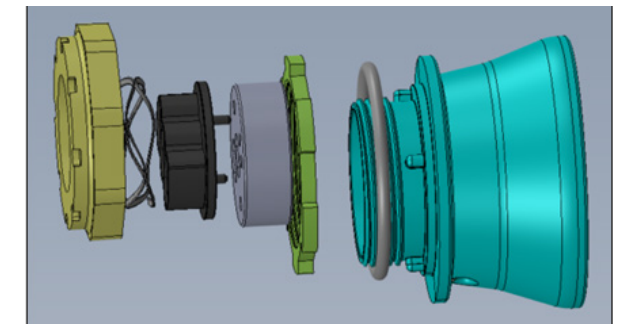
3-wire RTD(s) – NOT included. Must be ordered separately.
b. If any of the ordered items are missing, please contact your Thermon sales representative immediately for a replacement order.

Note: You will need to return all the items in the received package against a replacement order. Please discuss the logistics with your Thermon sales representative.

Pipe Mount expediter assembly (Component positioning)

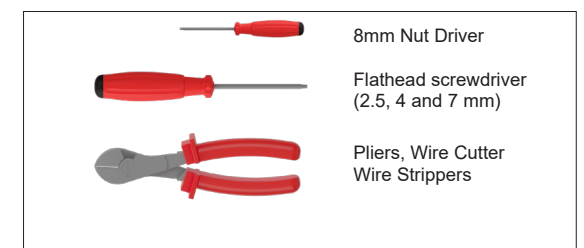


Wall Mount expediter assembly (Component positioning)



2. Tools Required

Ensure availability of the following tools needed for the installation, assembly and mounting of Genesis Duo and the RTD wiring for each circuit. (not included in package).

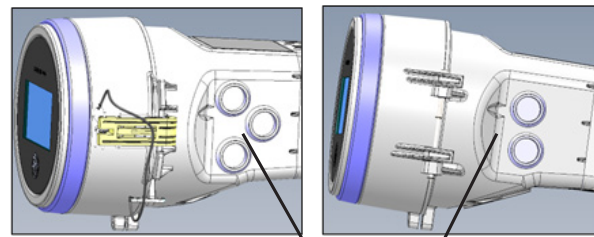


Torque Specifications:

Phoenix terminal UT-6: 1.5 Nm to 1.8 Nm
Current Transformer (CT) bracket #10 screw: 1.7 Nm to 1.9 Nm

3. Unpacking Contents

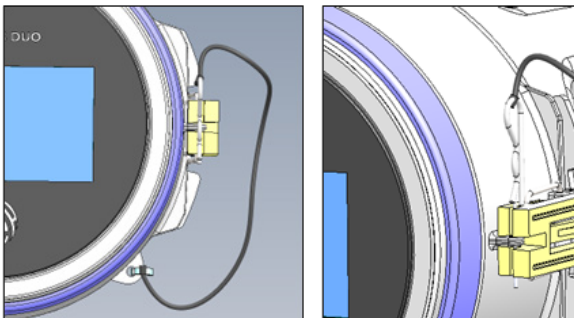
- a. Remove components from the package
- b. Set aside the required quantity of RTDs as needed for circuit configuration
- c. For pre-drilled entries as shown below (1-inch clearance/M25 clearance) to be used for routing cables/wires, select a cable entry that complies with your local region's code.
- d. Refer to the [Genesis Duo Wiring System Diagrams](#) while making wiring connections.



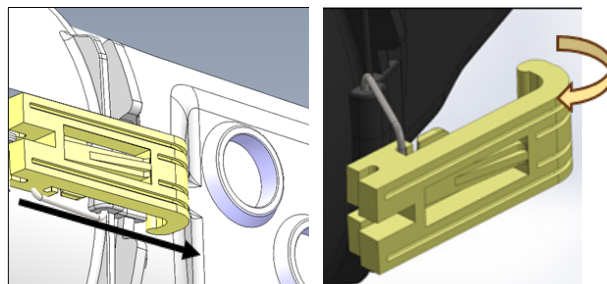
Pre-drilled entries

Note: The dust covers received with the Duo do not ensure the IP rating. They **must be replaced** during installation procedure with rated blind plugs.

4. Open the Duo Cover

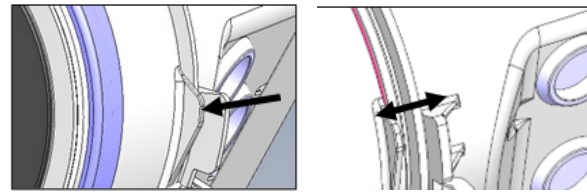


- a. Pull the string to remove locking pin.

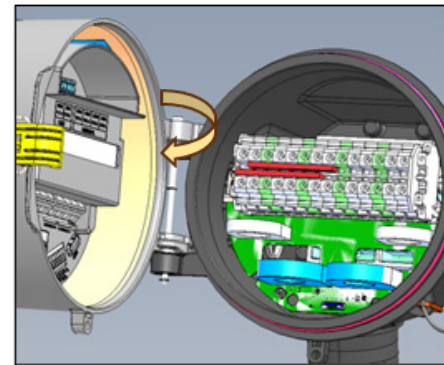


- b. Push latch forward to release and unlock Duo cover.

Tip: Avoid using too much force as the latch may come off. If it does, replace it back in position.

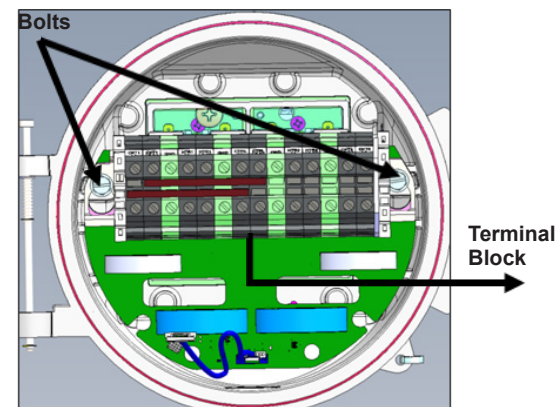


- c. Use a 4mm or larger flathead screwdriver for leverage to open the tightly sealed Duo cover.



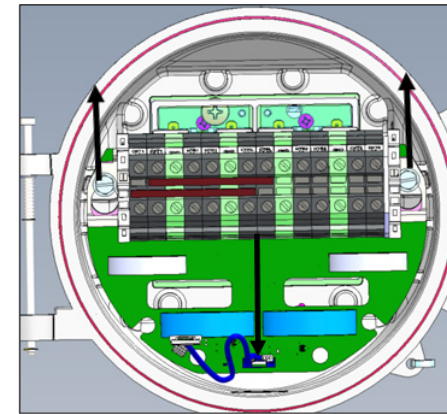
- d. Move the cover clockwise all the way to left, until there is an audible "click." This will lock the cover in position.

5. Remove the Terminal Block



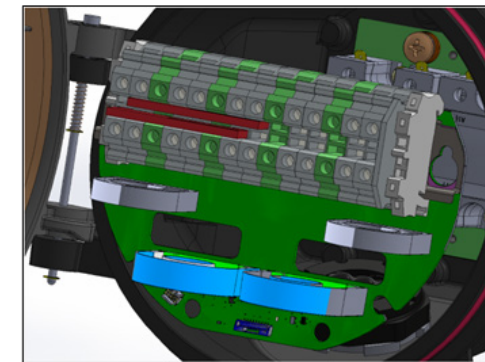
- a. Use the 5/16" nut driver to **loosen** bolts holding the terminal block.

Tip: Do not fully remove bolts.



- b. Remove Terminal Block assembly by sliding it up from bolts, pulling it out of the enclosure to access the rear area.

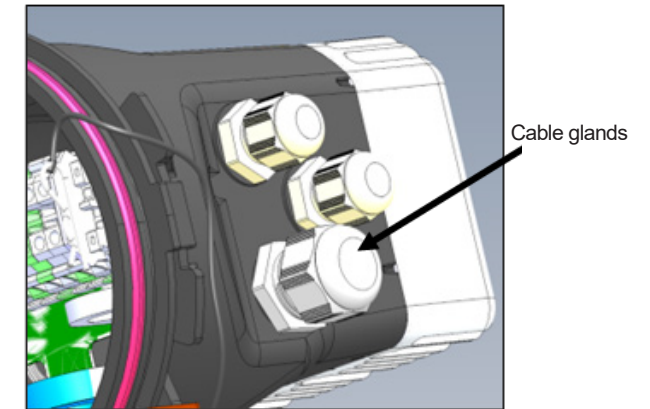
CAUTION: Do not strain the wires while pulling the terminal block.



CAUTION: Do not place the terminal block on top or in between the cover and main body. It can fall and cause injury to your hand.

Tip: Place the Duo on the surface with the heat sink as the base. Support the Duo cover from the side for stability. Pull the terminal block out and let it weigh toward bottom.

6. Install Cable Glands



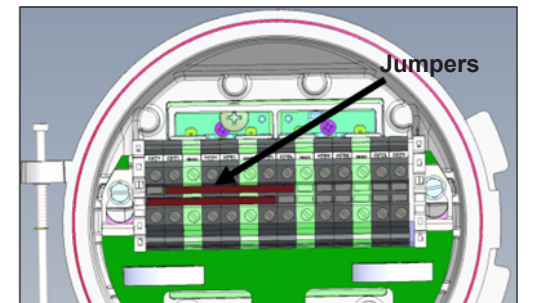
- a. Install required number of cable glands depending on number of clearance holes to be used for wiring. The cable gland should accommodate the thickness of wires passing through it.

Caution: Customer is responsible for installation of certified-rated cable glands appropriate for the installation environment to maintain specifications. If improper glands are installed, Thermon is not responsible for nonconformance.

Tip: Use certified glands with proper IP rating depending on the environment where you plan to install the Duo. If not ordered, procurement of those will be customer's responsibility.

- b. Install rated blind plugs in all unused holes to maintain required rating for the environment.

7. Jumper Connections on the Terminal Block



- a. Identify the jumper configuration for your setup. The jumper settings combine or isolate circuits with respect to individual breakers.

Note: Duo ships with default jumper connections with CTRL points shorted to corresponding Ckt 1 points

Refer to: [Genesis Duo Wiring System Diagrams](#)

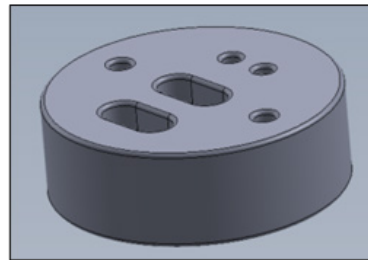
- b. Pre-installed red jumpers are removable and can be re-used for jumper connections. Remove the default jumpers if needed.

Tip: Recommend using wires for ease in making jumper connections.

- d. Duo is now ready to mount on pipe or wall mount assembly.

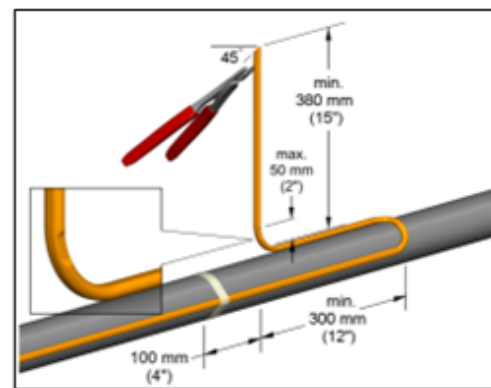
1. Mounting Assembly

1.a. Pipe Mount



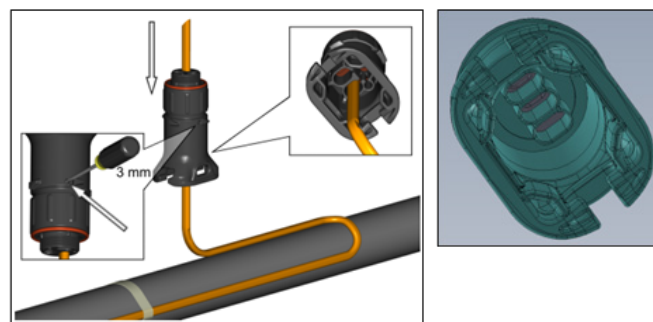
Grommet

i. Inspect grommet for defects and debris. If covered in debris or powder, use a light cleaning agent and rag to remove it. Rinse and fully dry before continuing. Verify cable gland model matches heat trace gland model per Appendix A.

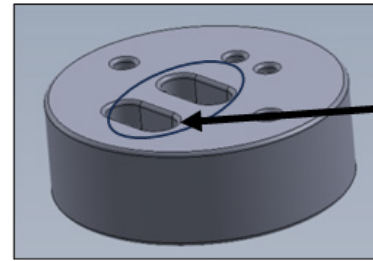


ii. Locate bus connection (HPT and FP only) and cable as shown.

iii. Cut the end of the cable at an angle to aid in piercing grommet.



iv. Run the heat trace cable through the bottom of the expediter base (pipe mount). Take care while feeding the heat trace cables through the expediter guide rails to ensure no twisting occurs.



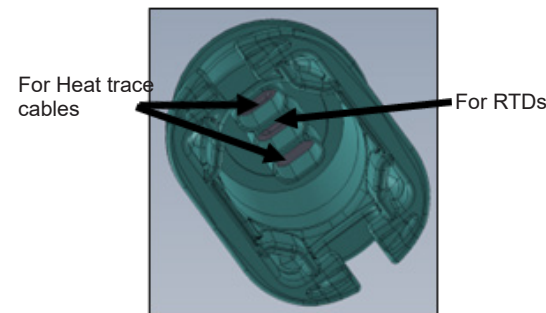
Holes for heat trace cables

v. Pierce the heat trace cable's edge (cut) through the grommet to make sure it passes through one of the holes in the grommet.

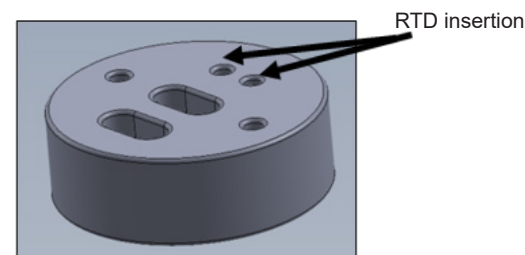
Notes:

- 1 - The heat trace cables can also be routed through the pre-drilled holes on the sides of the Duo.
- 2 - Some of the images shown in this guide might make use of an older version of the pipe mount expediter. Please refer Pipe Mount expediter assembly portion in [Receiving, Storing and Handling](#) for the details on the latest expediter. The installation steps remain the same.

vi. Repeat steps ii and iii for the second heat trace cable if you are configuring two circuits.



Tip: For ease of wiring, recommend running heat trace cables through corner holes and RTDs through center hole from the base of the expediter as shown in figure above..

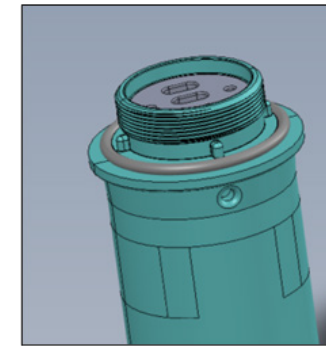


RTD insertion

vii. Insert the RTD sensor leads (if using in the circuit) through the expediter bottom, all the way into the corresponding holes in the grommet. Max RTD cable diameter is 0.125", min RTD cable diameter is 0.10".

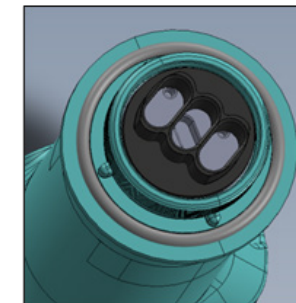
CAUTION: Do not pull from the sensor end when routing through the expediter assembly. Pull sensor from the lead wire portion.

Note: The customer must order RTDs separately. RTDs are not included in Duo or mounting kits shipment.

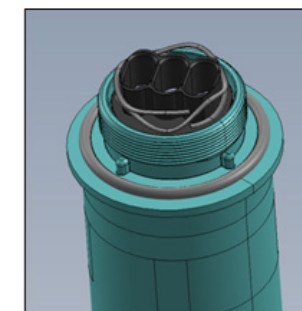


viii. Pull cables through the grommet. Then push the grommet to make it rest firmly on the expediter.

Tip: Ensure that there is at least 13" of RTD cable and 8" of heat trace cable exiting the top of the expediter.



ix. Install the cable guide on top of the grommet. Pass the heat trace cables and the RTD sensor wires through the corresponding holes of the cable guide as in the grommet.

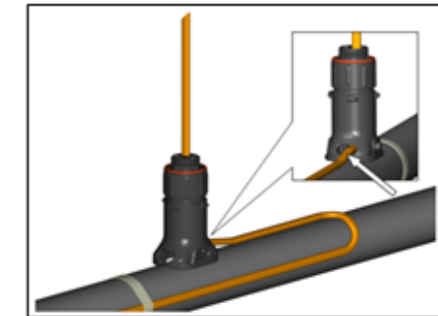


x. Install the wave spring on top of the cable guide. Ensure that all wires run through it.

xi. Prepare the heat trace cables for making the electrical connection to the heater circuit on the Duo terminal block.

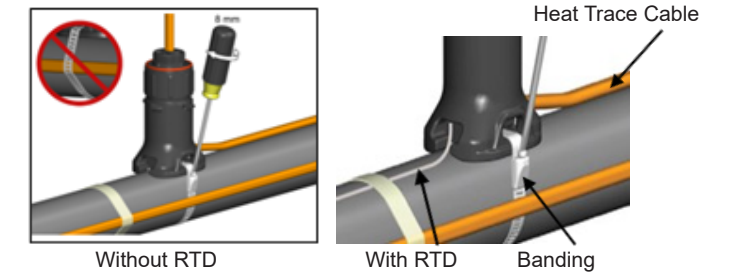
Refer to: installation instructions for power connection boot on Thermon [Electrical Heat Tracing Cables](#).

CAUTION: Use insulating tape to cover exposed portions of the heat trace shield to prevent accidental shorting against RTD metal body.



xii. Push the expediter downwards towards the pipe to ensure stable positioning on the pipe.

Tip: All cables must have already been run through the expediter base entry all the way up through the wave spring.



xiii. Insert metal banding into the expediter and wrap around pipe. Insert the other end of the band through the hole below the screwhead.

Tip: Ensure that the screwhead is easily accessible to enable tightening. If the Duo is mounted on top of the pipe, the screwhead should be located at the bottom of the pipe.

CAUTION: Ensure that the banding is not placed on top of any cables.

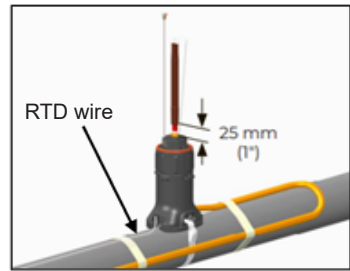
CAUTION: Excess metal band should be cut using a wire cutter. While cutting the metal band, please ensure that the edge is not left exposed. It can cause injury through cut if exposed to hand or any other body part.

xiv. Run the heat trace cable along the pipe for the needed length.

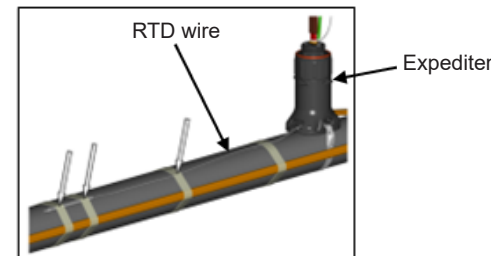
xv. Cut off the end of heat trace cable running along the length of the pipe. Terminate heat trace cable with an appropriate termination kit.

Refer to: [Thermon End Termination Kit Installation](#) instructions.

xvi. Push excess cable back through expediter. Use care while feeding the heat trace cables through the expediter guide rails to ensure the cables do not become twisted.



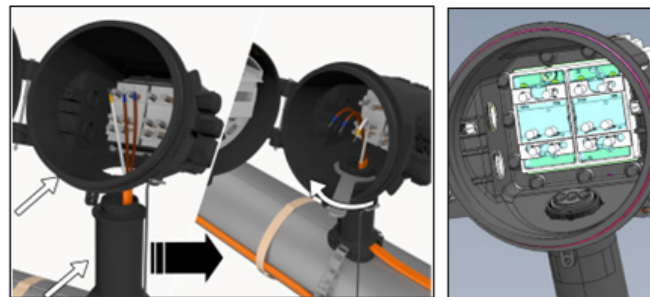
xvi. Tape cable expansion loop to pipe.



xvii. Fix the RTD sensor head to the pipe using fixing tape

Tip: Use fixing tape according to Thermon heat trace cable specifications.

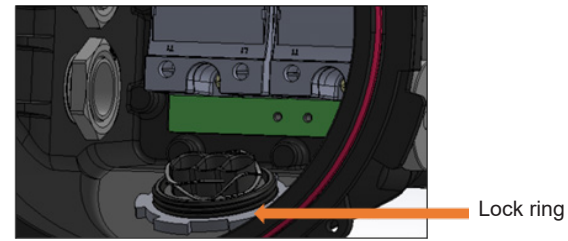
Refer to: Thermon fixing tapes [FT-IL](#), [FT-IH](#)



xviii. Mount the Duo body on the expediter carefully. Align slots with the protrusions on the expediter to properly orient junction box base. Ensure that the main housing rests properly on the top of the expediter's O-ring seal.

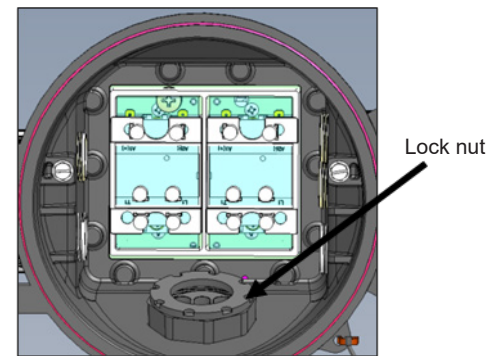
Tip: Pull the terminal block upwards to the top with one hand to make the rear accessible. With the other hand pull all wires coming in through the expediter together towards the bottom.

CAUTION: Hold the terminal block firmly towards the top. If it falls, it can cause injury to your hand.



xix. Ensure all wires from the expediter pass through the lock ring. Place the lock ring on the expediter assembly. Lock the ring by turning it clockwise.

Tip: Make sure that the flat side is towards the bottom. Tighten as much as possible using your fingers. Using a marker, place a mark at the ending location once tightened. After that, use pliers to ensure that it is tightened fully or use a mallet and flat head screwdriver to tighten the metal nut, driving it clockwise until tight.

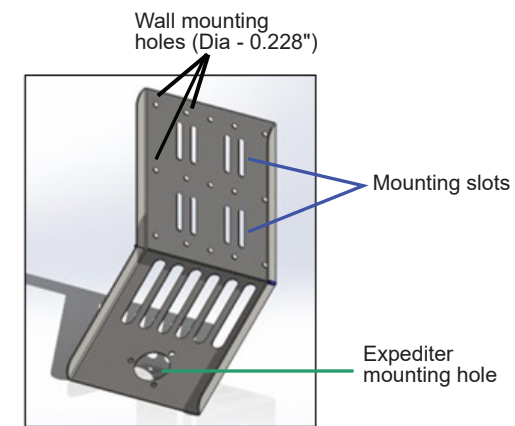


xx. Install the lock nut on top of the lock ring. Ensure that the circular side with the locknut grooves is on the top and the flat side is at the bottom.

Tip: Apply force to compress the wave spring and then tighten it clockwise. Use fingers and then a wrench to tighten fully.

xxi. Now that assembly is complete, proceed to wiring connections.

1.b. Wall Mount



- i. Identify and mark the position of the wall mounting holes on the wall using the holes to ensure proper distance between them.
- ii. Drill the holes in the wall (at the location where you want to mount the unit) for the given dimension using appropriate drill bit.
- iii. Mount the bracket on the wall by placing the appropriate fasteners through the wall mounting holes.



iv. Secure the bottom of the expediter to the bracket using the provided spring washers and bolts.

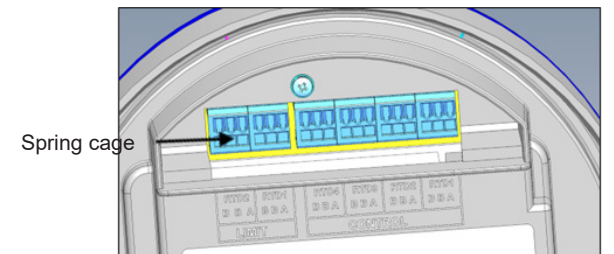
v. Follow the Duo installation steps as outlined in the [Pipe Mount](#) section of the Mount Assembly.

2. Wiring Connections

2.a. RTD Wiring

i. Refer to the Duo wiring diagrams for your preferred configuration.

Refer to: [Genesis Duo Wiring System Diagrams](#)



ii. Connect the RTD wires to the appropriate point with the marked label on the front cover.

Note: Red wire - B, White wire - A

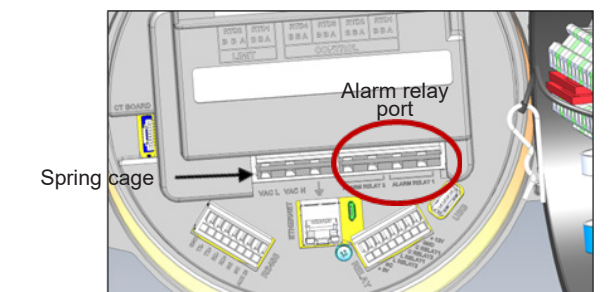
Tip-1: Route the RTD wires towards the direction of the open Duo cover (i.e. left). Leave enough length on RTD wires inside the Duo to facilitate movement when the Duo cover is opened or closed.

Tip-2: Engage the spring-cage at the bottom using the 2.5 mm flat-head screwdriver. Do not use excessive force; just enough to open the corresponding receptacle/socket by pressing at the bottom and lifting a little. Insert the RTD wire.

CAUTION: If the RTDs being used have a metal casing like RTD-500-72-3, we strongly recommend taping the wire to the inside of the Duo to prevent them from touching the metal backplate on the terminal block and causing a short.

2.b. Alarm Wiring

i. Route alarm wires through the convenient cable gland from either side into the Duo leading up to the Alarm relay port.



ii. Connect the alarm output wires to the alarm relay port available (as shown above).

Tip: Engage the spring-cage at the bottom using the 2.5 mm flathead screwdriver. Do not use excessive force; just enough to open the corresponding receptacle/socket by pressing at the bottom and lifting a little. Insert the alarm wire.

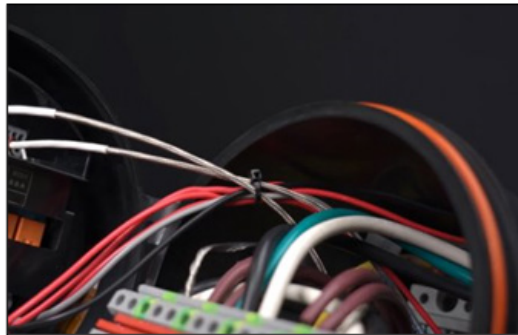
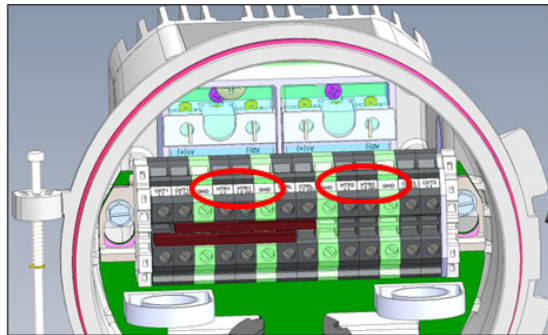


Image from actual installation

Tip: Use a cable tie to secure wires near top of the Terminal Block assembly to avoid clutter.

2.c. Heater Wiring



i. Connect the heat trace cables on the back of the terminal block to the appropriate label position (as per the wiring diagram)

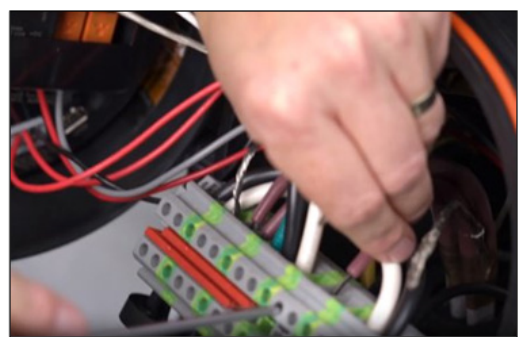
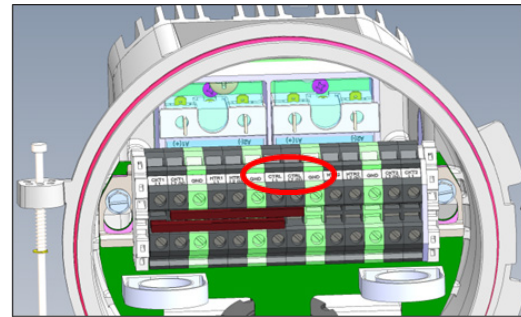


Image from actual installation

2.d. Power Wiring

i. Route the power wires through the convenient cable gland from either side of the Duo to the back of the terminal block.



ii. Connect the power wires to the corresponding labels (CTRL L1/CTRL L2(N)/GND) in the terminal block.

Tips:
1 - Use 4mm flathead screwdriver to secure wires to terminal block.
2 - Line to CTRL L1, Neutral to CTRL L2(N) & Ground to GND.

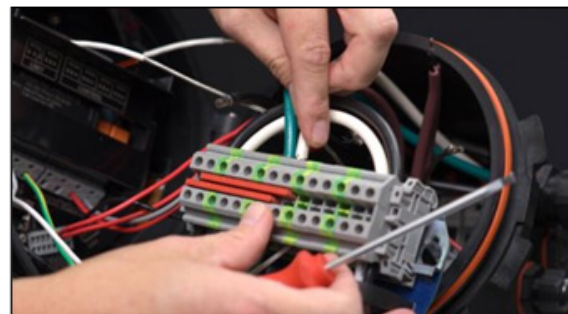
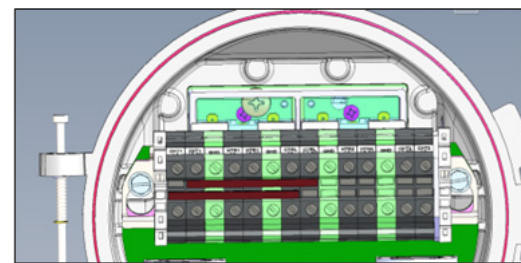


Image from actual installation

3. Secure the Terminal Block

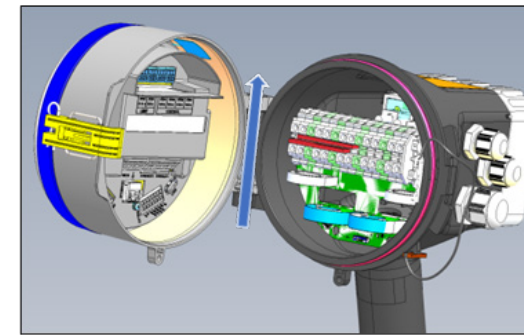
a. Once all wiring connections to the terminal block are complete, use a zip tie to tidy the wiring going into the Duo cover.



b. Carefully push the terminal block assembly back into the Duo housing to rest on the two mounting bolts. Tighten each bolt using the 5/16" nut driver.

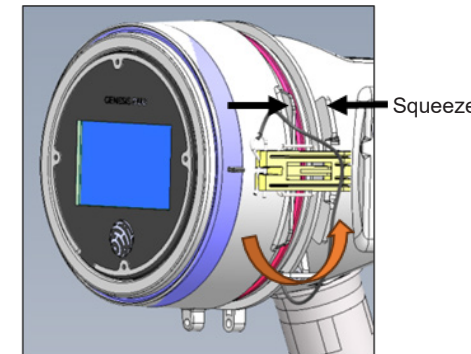
Tip: While pushing the terminal block in, route the power/alarm/RTD wires from top of the terminal block to avoid obstruction by them.

4. Close and Lock Duo Cover



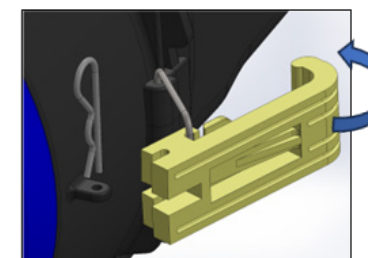
a. Lift the cover vertically to release it from the locked position.

Caution: Ensure that the wires going to the Duo cover are routed from the top of the terminal block before attempting to close the cover. Ensure that no wires are pinched in the process.

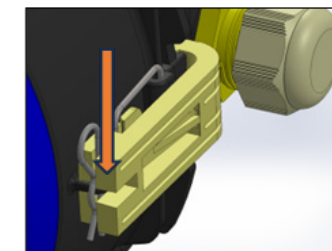


b. Close the cover.

Tip: You may need to use pliers to squeeze the door against the body until properly sealed/closed.



c. Close the latch.



d. Insert the pin.

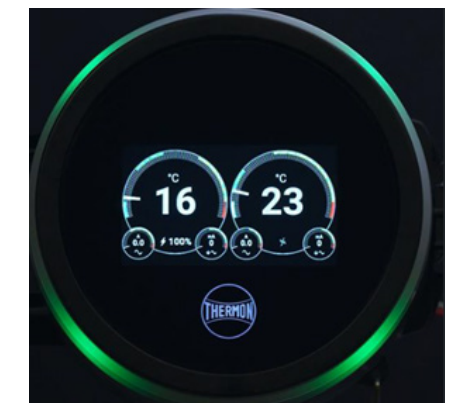
e. Congratulations! Your Duo installation is now complete. You can power up the device.

5. Power

a. Power up the Duo device.



b) The clockwise and anti-clockwise rotation of red and white patterns on the outer ring indicates that the device is booting up.



c) When the outer ring changes to a steady green state, it indicates that the power up sequence is complete. The Duo is ready to update configuration settings.

d) If you have connected RTDs to both the circuits, you will notice that when the device is powered up for the first time, you only see the temperature showing up for circuit 1 on the left side.

e) The 2nd circuit on the right shows disconnected. This is the default state after the first time boot up sequence.

f) Once the configuration settings are done for both the circuits, you will see the parameters for both the circuits.

Refer to: [Genesis Controller Settings](#) for configuration.

6. Genesis Duo Controller Settings

	Setting Option	Applies To	Function	User Selectable Setpoints	Comments:
1	Circuit Tag	Individual Circuit	Circuit Identifier	0 to 64 Characters	only the last 33-34 characters show on the menu screen
2	Power State	Individual Circuit	Circuit State	Disabled or Enabled or Forced on or Forced off	
3	Active Alarms	Individual Circuit	Circuit Alarms	N/A	
Temperature Settings					
5	Low Temperature Alarm	Alarms	Low Temperature Alarm	-76F to 932F	
6	Maintain Temperature	Set Point	Maintain Temperature	-76F to 932F	
7	Max Temperature	Deadband	Temperature Deadband	-76F to 932F	
8	High Temperature Alarm	Individual Circuit	High Temperature Alarm	-76F to 932F	
9	High Temperature Trip Mode	Individual Circuit	Trip or High-High Alarm Selection	High Temperature Trip or High-High Alarm	When one selection is made, the other setting does not show in the menu.
10	High Temperature Trip	Individual Circuit	High Temperature Circuit Trip	-76F to 932F	
11	High-High Temperature Alarm	Individual Circuit	High-High Temperature Alarm	-76F to 932F	
12	Temperature Alarm Delay	Unit	Temperature Alarm Delay	Disabled to 30 mins	
13	Temperature Units	Unit	Temperature Units	C or F	
Current Settings					
15	Low Current Alarms	Individual Circuit	Low Current Alarm (Amps)	0.0 to 100.0 A	
16	High Current Alarm	Individual Circuit	High Current Alarm (Amps)	0.0 to 100.0 A	
17	High Current Trip Mode	Individual Circuit	Trip or High-High Alarm Selection	Trip or High-High Current Alarm	When one selection is made, the other setting does not show in the menu.
18	High Current Trip	Individual Circuit	High Current Trip (Amps)	0.0 to 100.0 A	
19	High-High Current Alarm	Individual Circuit	High-High Current Alarm (Amps)	0.0 to 100.0 A	
20	Current Alarm Delay	Unit	Alarm Delay (Minutes)	Disabled to 7 mins	
21	Max Current (Heater OFF)	Unit	Max Current (Heater OFF) (Amps)	0.0 to 50.0 A	
Ground Current Settings					
23	High Ground Current Alarms	Individual Circuit	High Ground Current Alarm (mA)	0 to 200 mA	
24	High Gnd Current Trip Mode	Individual Circuit	Trip or High-High Alarm Selection	Trip or High-High Alarm	When one selection is made, the other setting does not show in the menu.
25	High Ground Current Trip	Individual Circuit	High Ground Current Trip (mA)	0 to 200 mA	
26	High-High Gnd Current Alarm	Individual Circuit	High-High Gnd Current Alarm (mA)	0 to 200 mA	
27	Ground Samples Before Trip	Unit	Ground Fault Samples Before Trip (number)	1 to 10	
Control and Power Settings					
29	Control Method	Individual Circuit	Control Mode	On/Off or On/Off w/ Soft Start or Proportional or Ambient On/Off or Ambien Proportional-Mechanical	
30	Control RTDs	Individual Circuit	Number of Control RTDs	1 to 4 (BBA)	
31	Power Clamp	Individual Circuit	Power Clamp %	0 to 100 %	
32	Power on RTD Fault	Individual Circuit	Power on RTD Fault %	0 to 100 %	
Global Settings					
34	Start Up Delay	Unit	Start Up Delay (minutes)	Disabled to 30 mins	
35	Self-Test Interval	Unit	Self-Test Interval (hours)	Disabled to 168 HR	
36	Modbus Map Type		Mapping	TCM 2 or TC202	Requires Reboot for setting change to take effect.
37	Modbus Slave ID		Modbus Identifier	1 to 247	Requires Reboot for setting change to take effect.
38	Modbus Mode		Modbus Mode	RTU (8n1) or ASCII (7n2)	Requires Reboot for setting change to take effect.
39	Modbus Baud Rate		Baud Rate	9600 or 19200 or 115200	Requires Reboot for setting change to take effect.
40	Controller type	Unit	Type of Controller	Default or 1 Circuit or 2 Circuit or 1 Circuit w/ Limiter	Requires Reboot for setting change to take effect.
41	Display Brightness	Unit	Brightness	10 to 100	
42	Screen Saver Delay	Unit	Brightness Delay (min)	Disabled to 180 min	
43	Change Access Code	Unit	Access Code	4-digit code (0 to 9)	
44	Logout	Unit	Logout	No or Yes	Prompt- "Logout now?"
45	Reboot	Unit	Reboot	No or Yes	Prompt- "Reboot now?"
46	**Info	Unit	Unit Information	Various Parameters	Section below will note all parameters found under this setting.

**Setting- Info Menu		
Information	Unit	Comments
System		
Line Voltage	V	
PCB Temperature	C or F	Depending on setting chosen for "Temperature Units"
LED Temperature	C or F	Depending on setting chosen for "Temperature Units"
Time in Operation	HR	
Circuit 1		
Power Rate	A/Hr	
Power Total	Wh	
RTD 1 Reading	C or F	Depending on setting chosen for "Temperature Units"
RTD 2 Reading	C or F	Depending on setting chosen for "Temperature Units"
Circuit 2		
Power Rate	A/Hr	
Power Total	Wh	
RTD 1 Reading	C or F	Depending on setting chosen for "Temperature Units"
RTD 2 Reading	C or F	Depending on setting chosen for "Temperature Units"

**Setting- Info Menu		
Information	Unit	Comments:
System		
Line Voltage	V	
PCB Temperature	C or F	Depending on setting chosen for "Temperature Units"
LED Temperature	C or F	Depending on setting chosen for "Temperature Units"
Time in Operation	HR	
Circuit 1		
Power Rate	A/Hr	
Power Total	Wh	
RTD 1 Reading	C or F	Depending on setting chosen for "Temperature Units"
RTD 2 Reading	C or F	Depending on setting chosen for "Temperature Units"
Circuit 2		
Power Rate	A/Hr	
Power Total	Wh	
RTD 1 Reading	C or F	Depending on setting chosen for "Temperature Units"
RTD 2 Reading	C or F	Depending on setting chosen for "Temperature Units"

Appendix A - Grommet Specifications

GROMMET DETAILS:

REF R y
2X Ø REF.11
2X Ø REF.09
REF 1.0
REF 3.6
REF 3.6
REF 3.6
REF 3.6

GROMMET	X	Y
Duo (H)TEK 1 Grommet 10%	0.12	0.10
Duo (H)TEK 2 Grommet 10%	0.13	0.10
Duo (H)TEK 3 Grommet 10%	0.28	0.11
Duo (H)TEK 4 Grommet 10%	0.32	0.12
Duo (H)TEK 5 Grommet 10%	0.09	0.08
Duo (H)TEK 6 Grommet 10%	0.10	0.09
Duo BSX Grommet 10%	0.27	0.10
Duo FP Grommet 10%	0.1	0.12
Duo HPT Grommet 10%	0.12	0.14
Duo HTSX Grommet 10%	0.21	0.09
Duo RSX Grommet 10%	0.28	0.12
Duo VSX-HT Grommet 10%	0.30	0.10



Corporate Headquarters: 7171 Southwest Parkway · Building 300, Suite 200 · Austin, TX 78735 · Phone: 512-690-0600
For the Thermon office nearest you visit us at . . . www.thermon.com

Form PN50900-0324

© Thermon, Inc. · Information subject to change.

V1.0