

# RTD-100-S

## Temperature Sensor

### Product Specifications

#### Application . . .

##### Electric Heat Tracing Control

The RTD-100-S is designed for use as control input for freeze protection and temperature maintenance applications requiring pipewall or tankwall temperature sensing.

A cast-aluminum NEMA 4X/7 enclosure and terminal block allows ease of wiring into a single unit that can be installed directly onto a heat traced pipe. The RTD-100 housing and mounting pad are stainless steel.

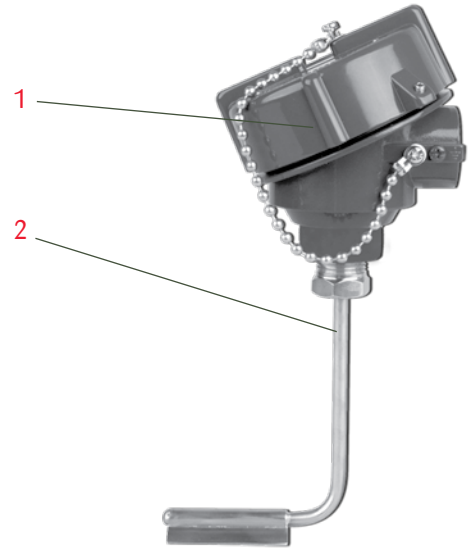
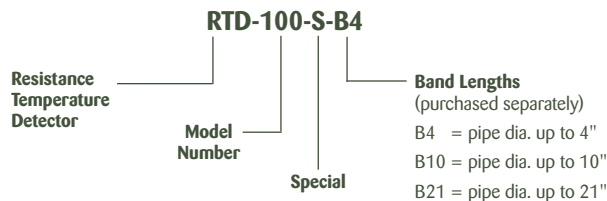
The RTD-100-S is suitable for use in heat tracing applications where surface temperatures do not exceed 900°F (482°C).

#### Ratings/Specifications . . .

Electrical connection .....tension clamp terminals  
 Enclosure rating.....NEMA 4X/7  
 Enclosure hub size.....1/2" NPT female hub  
 RTD leads.....22 AWG fiberglass  
 RTD type.....3-wire platinum thin film  
 RTD resistance.....100 ohms at 32° (0°C)  
 RTD calibration

Per ASTM E1137, DIN standard 43760/BS1904/IEC 751  
 Temperature coefficient.....00385 Ohms/Ohms - °C  
 Maximum sensor temperature.....900°F (482°C)  
 Sensor housing material .....316 stainless steel

#### Product Reference Legend . . .



#### Construction . . .

- 1 Junction Box With Terminal Strip
- 2 RTD Housing
- 3 Pipe Strap (purchased separately)

#### Certifications/Approvals . . .



##### Canadian Standards Association

The RTD-100-S is CSA certified for use in North America.

Ordinary Locations

Hazardous (Classified) Locations

Class I, Division 2, Groups A, B, C and D

Class II, Division 2, Groups E, F and G



**THERMON . . . The Heat Tracing Specialists®**



100 Therman Dr. • PO Box 609 • San Marcos, TX 78667-0609  
 Phone: 512-396-5801 • Facsimile: 512-396-3627 • **800-820-HEAT**  
 www.thermon.com In Canada call **800-563-8461**

Form TEP0089-0309 © Therman Manufacturing Co. Printed in U.S.A.