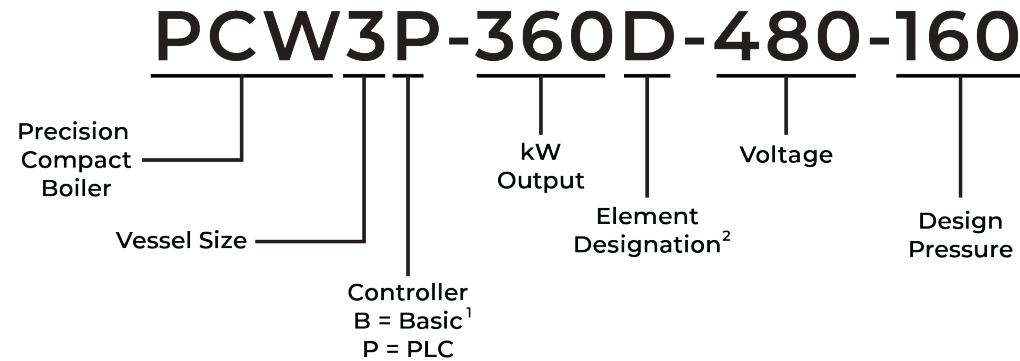


THERMON MINKETM

ELECTRIC HOT WATER BOILER FROM THE PRECISION BOILERS FAMILY

ASME Section IV, "H" Code, National Board Registered

NAMING STRUCTURE



1 - Basic is a PID Temperature Controller
2 - Standard Element Designation: D = 20kW

- All Standard Units have CRN
- All Include 100kA SCCR (UL508 Rating)

1 Panel



2 Panels



3 Panels



THERMON MINKETM

ELECTRIC HOT WATER BOILER FROM THE PRECISION BOILERS FAMILY



Model Number	Boiler Rating		Elements		# of Circuits	Full Load Amps	Steps of Heating	Overall Dims (in)			No. of Panels	Pipe Connections		Ship Weight (lbs)
	MBH	kW	Qty	kW			No. of steps @kW	H	W	D		Inlet/Outlet	Drain	
208 Volt														
PCW1B-060D-208-160	198	60	3	20	3	169	3 @ 20KW	67	30	39	1	3" NPT	1" NPT	775
PCW1B-120D-208-160	396	120	6	20	6	336	3 @ 40KW	67	46	39	2	3" NPT	1" NPT	940
PCW1P-060D-208-160	198	60	3	20	3	169	3 @ 20KW	67	30	39	1	3" NPT	1" NPT	780
PCW1P-120D-208-160	396	120	6	20	6	336	3 @ 40KW	67	46	39	2	3" NPT	1" NPT	945
480 Volt														
PCW1B-020D-480-160	66	20	1	20	1	25	1 @ 20KW	67	30	39	1	3" NPT	1" NPT	755
PCW1B-040D-480-160	132	40	2	20	1	49	1 @ 40KW	67	30	39	1	3" NPT	1" NPT	765
PCW1B-060D-480-160	198	60	3	20	2	73	1 @ 20KW, 1 @ 40KW	67	30	39	1	3" NPT	1" NPT	775
PCW1B-080D-480-160	264	80	4	20	2	97	2 @ 40KW	67	30	39	1	3" NPT	1" NPT	785
PCW1B-100D-480-160	330	100	5	20	3	121	1 @ 20KW, 2 @ 40KW	67	30	39	1	3" NPT	1" NPT	795

THERMON MINKET™

ELECTRIC HOT WATER BOILER FROM THE PRECISION BOILERS FAMILY



Model Number	Boiler Rating		Elements		# of Circuits	Full Load Amps	Steps of Heating	Overall Dims (in)			No. of Panels	Pipe Connections		Ship Weight
	MBH	kW	Qty	kW			No. of steps @kW	H	W	D		Inlet/Outlet	Drain	(lbs)
480 Volt														
PCW1B-120D-480-160	396	120	6	20	3	145	3 @ 40KW	67	30	39	1	3" NPT	1" NPT	805
PCW1B-140D-480-160	462	140	7	20	4	169	1 @ 20KW, 3 @ 40KW	67	30	39	1	3" NPT	1" NPT	815
PCW1B-160D-480-160	528	160	8	20	4	194	4 @ 40KW	67	30	39	1	3" NPT	1" NPT	825
PCW1P-020D-480-160	66	20	1	20	1	25	1 @ 20KW	67	30	39	1	3" NPT	1" NPT	760
PCW1P-040D-480-160	132	40	2	20	1	49	1 @ 40KW	67	30	39	1	3" NPT	1" NPT	770
PCW1P-060D-480-160	198	60	3	20	2	73	1 @ 20KW, 1 @ 40KW	67	30	39	1	3" NPT	1" NPT	780
PCW1P-080D-480-160	264	80	4	20	2	97	2 @ 40KW	67	30	39	1	3" NPT	1" NPT	790
PCW1P-100D-480-160	330	100	5	20	3	121	1 @ 20KW, 2 @ 40KW	67	30	39	1	3" NPT	1" NPT	800
PCW1P-120D-480-160	396	120	6	20	3	145	3 @ 40KW	67	30	39	1	3" NPT	1" NPT	810
PCW1P-140D-480-160	462	140	7	20	4	169	1 @ 20KW, 3 @ 40KW	67	30	39	1	3" NPT	1" NPT	820

THERMON MINKETM

ELECTRIC HOT WATER BOILER FROM THE PRECISION BOILERS FAMILY



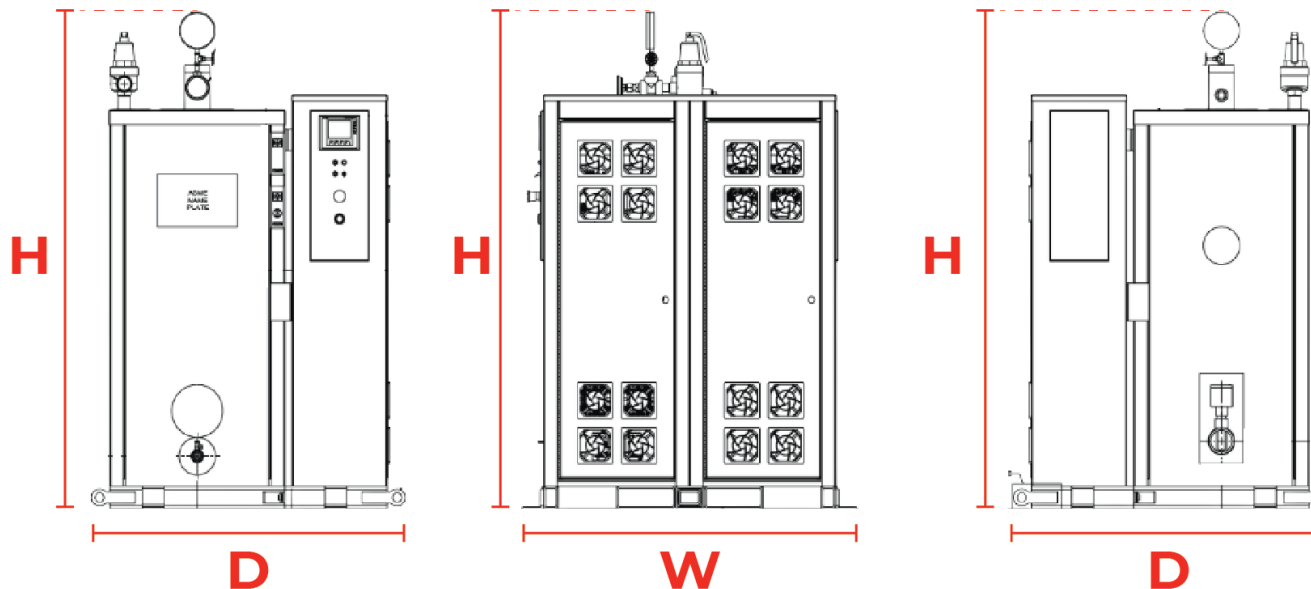
Model Number	Boiler Rating		Elements		# of Circuits	Full Load Amps	Steps of Heating	Overall Dims (in)			No. of Panels	Pipe Connections		Ship Weight
	MBH	kW	Qty	kW			No. of steps @kW	H	W	D		Inlet/Outlet	Drain	(lbs)
480 Volt														
PCW1P-160D-480-160	528	160	8	20	4	194	4 @ 40KW	67	30	39	1	3" NPT	1" NPT	830
PCW2P-180D-480-160	594	180	9	20	5	219	1 @ 20KW, 4 @ 40KW	67	46	43	2	3" NPT	1" NPT	1165
PCW2P-200D-480-160	660	200	10	20	5	243	5 @ 40KW	67	46	43	2	3" NPT	1" NPT	1175
PCW2P-240D-480-160	792	240	12	20	6	291	6 @ 40KW	67	46	43	2	3" NPT	1" NPT	1195
PCW3P-280D-480-160	924	280	14	20	7	339	7 @ 40KW	67	46	47	2	4" FLG	1" NPT	1475
PCW3P-300D-480-160	990	300	15	20	8	363	1 @ 20KW, 7 @ 40KW	67	46	47	2	4" FLG	1" NPT	1485
PCW3P-320D-480-160	1,056	320	16	20	8	387	8 @ 40KW	67	46	47	2	4" FLG	1" NPT	1495
PCW3P-360D-480-160	1,188	360	18	20	9	435	9 @ 40KW	67	46	47	2	4" FLG	1" NPT	1570
PCW3P-400D-480-160	1,320	400	20	20	10	483	10 @ 40KW	67	66	47	3	4" FLG	1" NPT	1750
PCW3P-440D-480-160	1,452	440	22	20	11	531	11 @ 40KW	67	66	47	3	4" FLG	1" NPT	1770

THERMON MINKETM

ELECTRIC HOT WATER BOILER FROM THE PRECISION BOILERS FAMILY

Model Number	Boiler Rating		Elements		# of Circuits	Full Load Amps	Steps of Heating	Overall Dims (in)			No. of Panels	Pipe Connections		Ship Weight (lbs)
	MBH	kW	Qty	kW			No. of steps @kW	H	W	D		Inlet/Outlet	Drain	
480 Volt														
PCW3P-480D-480-160	1,584	480	24	20	12	579	12 @ 40KW	67	66	47	3	4" FLG	1" NPT	1790
PCW4P-600D-480-160	1,980	600	30	20	15	724	15 @ 40KW	67	66	51	3	4" FLG	1" NPT	2235
PCW5P-720D-480-160	2,376	720	36	20	18	868	18 @ 40KW	67	66	59	3	4" FLG	1" NPT	3070

DIMENSIONAL DATA



THERMON MINKETM

ELECTRIC HOT WATER BOILER FROM THE PRECISION BOILERS FAMILY



Model Number	Boiler Rating		Elements		# of Circuits	Full Load Amps	Steps of Heating	Overall Dims (in)			No. of Panels	Pipe Connections		Ship Weight
	MBH	kW	Qty	kW			No. of steps @kW	H	W	D		Inlet/Outlet	Drain	(lbs)
600 Volt														
PCW1B-020D-600-160	66	20	1	20	1	20	1 @ 20KW	67	30	39	1	3" NPT	1" NPT	745
PCW1B-040D-600-160	132	40	2	20	1	39	1 @ 40KW	67	30	39	1	3" NPT	1" NPT	755
PCW1B-060D-600-160	198	60	3	20	2	59	1 @ 20KW, 1 @ 40KW	67	30	39	1	3" NPT	1" NPT	765
PCW1B-080D-600-160	264	80	4	20	2	78	2 @ 40KW	67	30	39	1	3" NPT	1" NPT	775
PCW1B-100D-600-160	330	100	5	20	3	97	1 @ 20KW, 2 @ 40KW	67	30	39	1	3" NPT	1" NPT	785
PCW1B-120D-600-160	396	120	6	20	3	116	3 @ 40KW	67	30	39	1	3" NPT	1" NPT	795
PCW1B-140D-600-160	462	140	7	20	4	136	1 @ 20KW, 3 @ 40KW	67	30	39	1	3" NPT	1" NPT	805
PCW1B-160D-600-160	528	160	8	20	4	155	4 @ 40KW	67	30	39	1	3" NPT	1" NPT	815
PCW1P-020D-600-160	66	20	1	20	1	20	1 @ 20KW	67	30	39	1	3" NPT	1" NPT	750
PCW1P-040D-600-160	132	40	2	20	1	39	1 @ 40KW	67	30	39	1	3" NPT	1" NPT	760

THERMON MINKETM

ELECTRIC HOT WATER BOILER FROM THE PRECISION BOILERS FAMILY



Model Number	Boiler Rating		Elements		# of Circuits	Full Load Amps	Steps of Heating	Overall Dims (in)			No. of Panels	Pipe Connections		Ship Weight
	MBH	kW	Qty	kW			No. of steps @kW	H	W	D		Inlet/Outlet	Drain	(lbs)
600 Volt														
PCW1P-060D-600-160	198	60	3	20	2	59	1 @ 20KW, 1 @ 40KW	67	30	39	1	3" NPT	1" NPT	770
PCW1P-080D-600-160	264	80	4	20	2	78	2 @ 40KW	67	30	39	1	3" NPT	1" NPT	780
PCW1P-100D-600-160	330	100	5	20	3	97	1 @ 20KW, 2 @ 40KW	67	30	39	1	3" NPT	1" NPT	790
PCW1P-120D-600-160	396	120	6	20	3	116	3 @ 40KW	67	30	39	1	3" NPT	1" NPT	800
PCW1P-140D-600-160	462	140	7	20	4	136	1 @ 20KW, 3 @ 40KW	67	30	39	1	3" NPT	1" NPT	810
PCW1P-160D-600-160	528	160	8	20	4	155	4 @ 40KW	67	30	39	1	3" NPT	1" NPT	820
PCW2P-180D-600-160	594	180	9	20	5	175	1 @ 20KW, 4 @ 40KW	67	46	43	2	3" NPT	1" NPT	1165
PCW2P-200D-600-160	660	200	10	20	5	194	5 @ 40KW	67	46	43	2	3" NPT	1" NPT	1175
PCW2P-240D-600-160	792	240	12	20	6	233	6 @ 40KW	67	46	43	2	3" NPT	1" NPT	1195
PCW3P-280D-600-160	924	280	14	20	7	271	7 @ 40KW	67	46	47	2	4" FLG	1" NPT	1475

THERMON MINKETM

ELECTRIC HOT WATER BOILER FROM THE PRECISION BOILERS FAMILY



Model Number	Boiler Rating		Elements		# of Circuits	Full Load Amps	Steps of Heating	Overall Dims (in)			No. of Panels	Pipe Connections		Ship Weight
	MBH	kW	Qty	kW			No. of steps @kW	H	W	D		Inlet/Outlet	Drain	(lbs)
600 Volt														
PCW3P-300D-600-160	990	300	15	20	8	290	1 @ 20KW, 7 @ 40KW	67	46	47	2	4" FLG	1" NPT	1485
PCW3P-320D-600-160	1,056	320	16	20	8	310	8 @ 40KW	67	46	47	2	4" FLG	1" NPT	1495
PCW3P-360D-600-160	1,188	360	18	20	9	348	9 @ 40KW	67	46	47	2	4" FLG	1" NPT	1570
PCW3P-400D-600-160	1,320	400	20	20	10	387	10 @ 40KW	67	66	47	3	4" FLG	1" NPT	1750
PCW3P-440D-600-160	1,452	440	22	20	11	425	11 @ 40KW	67	66	47	3	4" FLG	1" NPT	1770
PCW3P-480D-600-160	1,584	480	24	20	12	464	12 @ 40KW	67	66	47	3	4" FLG	1" NPT	1790
PCW4P-600D-600-160	1,980	600	30	20	15	579	15 @ 40KW	67	66	51	3	4" FLG	1" NPT	2235
PCW5P-720D-600-160	2,376	720	36	20	18	695	18 @ 40KW	67	66	59	3	4" FLG	1" NPT	3070

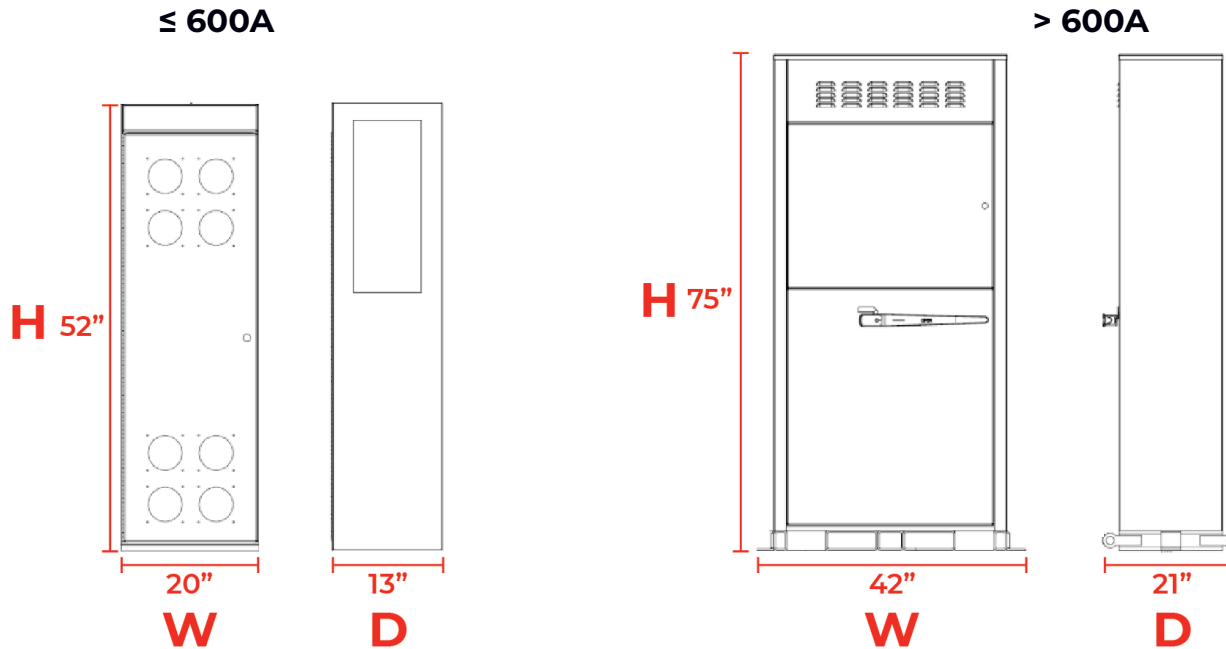
Prices and weights are based on Standard Equipment models.
PCW3, PCW4, and PCW5 will have 4"NPT as an option.

**IF ONE OF THE ABOVE STANDARD MODELS DOES NOT FIT YOUR REQUIREMENTS,
PLEASE CONSULT FACTORY FOR A CUSTOM BUILT PRECISION BOIER.**

THERMON MINKETM

ELECTRIC HOT WATER BOILER FROM THE PRECISION BOILERS FAMILY

Disconnect (Fused or Non-Fused)	≤ 600A Panel	Overall Dimensions		> 600A	Overall Dimensions	
		W x D x H			W x D x H	
		20" x 13" x 52"			42" x 21" x 75"	



Other Options (At most, these options will ADD One of the <600A Panels)
80A SCR Controller for 0-100% Modulation Control
Multifunction Power and Energy Me- ter with PLC Communication

Non-Fused Disconnects are size based on boiler Full-Load Amps, shown in boiler table above based on kW and Voltage.
Fused Disconnects are sized at 125% of boiler Full-Load Amps